



Artisan Technology Group is your source for quality new and certified-used/pre-owned equipment

- FAST SHIPPING AND DELIVERY
- TENS OF THOUSANDS OF IN-STOCK ITEMS
- EQUIPMENT DEMOS
- HUNDREDS OF MANUFACTURERS SUPPORTED
- LEASING/MONTHLY RENTALS
- ITAR CERTIFIED SECURE ASSET SOLUTIONS

SERVICE CENTER REPAIRS

Experienced engineers and technicians on staff at our full-service, in-house repair center

*InstraView*SM REMOTE INSPECTION

Remotely inspect equipment before purchasing with our interactive website at www.instraview.com ↗

WE BUY USED EQUIPMENT

Sell your excess, underutilized, and idle used equipment. We also offer credit for buy-backs and trade-ins. www.artisanng.com/WeBuyEquipment ↗

LOOKING FOR MORE INFORMATION?

Visit us on the web at www.artisanng.com ↗ for more information on price quotations, drivers, technical specifications, manuals, and documentation

Contact us: (888) 88-SOURCE | sales@artisanng.com | www.artisanng.com

VME-250

300 WATT

VME-350

350 WATT

NEW VMEbus HOT PLUGGABLE POWER SUPPLY

MADE IN THE U.S.A.



FEATURES:

- Conforms to DIN 41494 Mechanical Specifications
- Plugs into 6U DIN card cages
- P.F. and System Reset Signals
- LED's on all Outputs driven by DC OK Signal
- Fully enclosed package; requiring only 40 CFM cooling
- Meets EN55022 Level A / FCC Class A
- Universal Input 90-264 VAC
- 80% Efficiency Typical
- Current Share Capability
- Greater than 90,000 HRS. MTBF
- O'ring Diode Capable for Redundancy
- AC Input IEC Receptacle Available



	OUTPUT VOLTAGE (VDC)	OUTPUT AMPERES (MAX)	OUTPUT POWER (WATTS)
V1	5	45*	225
V2	12	6	72
V3	-12	6	72

*30A MAX. (150W) FOR MODEL VME-250

SPECIFICALLY DESIGNED FOR USE IN VMEbus SYSTEMS

EAST COAST:

3601 VETERANS HIGHWAY
RONKONKOMA, NEW YORK 11779
TEL (516) 981-7231 FAX (516) 981-7266

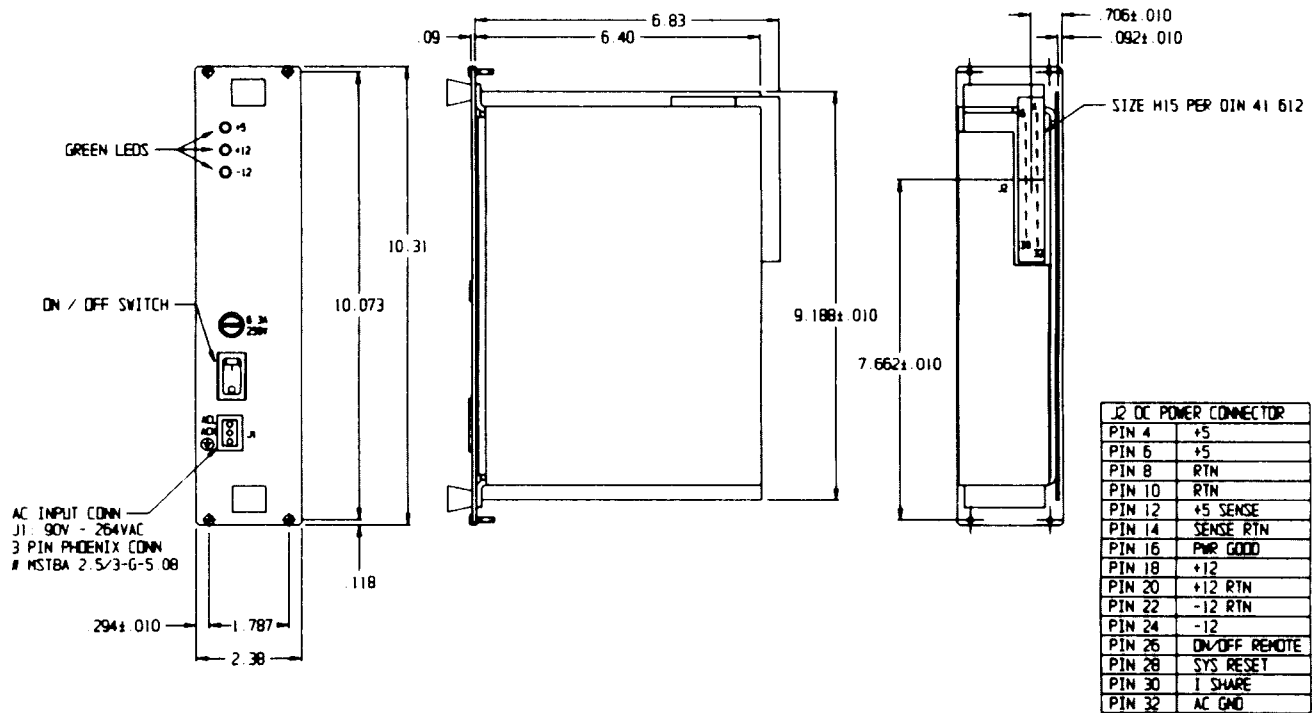
WEST COAST:

599 N. MATHILDA AVENUE
SUNNYVALE, CALIFORNIA 94086
TEL (408) 732-1230 FAX (408) 732-5712



VME-250 / VME-350

IN .PDF FORMAT, PRINT OR ZOOM TO SEE DRAWING



Nominal Input Voltage	115-240 VAC
Frequency	47-63 Hz, 400Hz. available.
Operational Input Voltage Range	90 to 264 VAC
Inrush Current	Less than 4 msec 40 amperes @ 115 VAC, or 80 amperes @ 230 VAC.
Fusing	6.3 Ampere, 250 VAC, Internal ceramic body fuse (VME-250) 8 Ampere, 250 VAC, Internal ceramic body fuse (VME-350)
Hold up Time	20msec minimum after loss of AC Input at full load and nominal Input
Efficiency	80% typical.
Turn on time	Less than 500 msec.
Load Regulation	1% for 10% to 100% load changes, all outputs. 10% min. load required on 5V for max load reg. on ±12 volt outputs.
Line Regulation	± 0.5% over operating line range, all outputs.
Ripple & Noise	1% ripple, 1% noise or 100MV whichever is greater. 20MHz bandwidth.
Transient Response	Output maximum excursion of ± 5% for 25% load step. Recovery less than 500 μsec.
Short Circuit and Overload Protection	All outputs are protected from short circuit and overload. Automatic recovery.

Overshoot	No turn-on or turn-off overshoot.
Overvoltage Protection	Voltage clamp factory set at 20% to 30% above output voltage, all outputs.
Overtemperature Protection	Unit shuts down if overheated. Automatic recovery.
Cooling	User must provide min. 40 CFM (VME-250) User must provide min. 60 CFM (VME-350)
Input/Output Isolation	4242 VDC, SELV construction.
Remote Sense V1 Output	Up to 0.5 volts total in load.
Remote On/Off Power Fail System Reset	Open to run Normal logic "1" Normal logic "1"
Operating Temperature	-20°C to 50°C full output.
Stability	All outputs 0.5% for 8 hrs. after 1 hour warm-up.
Humidity	Up to 95% non-condensing.
EMI	Meets FCC Class A and EN55022 Level A
Safety	UL 1950, CSA 950-95, EN 60950 Medical: UL 2601 and EN 60601
Size	6U by 2.38" x 6.40"
Weight	5 lbs.



Artisan Technology Group is your source for quality new and certified-used/pre-owned equipment

- FAST SHIPPING AND DELIVERY
- TENS OF THOUSANDS OF IN-STOCK ITEMS
- EQUIPMENT DEMOS
- HUNDREDS OF MANUFACTURERS SUPPORTED
- LEASING/MONTHLY RENTALS
- ITAR CERTIFIED SECURE ASSET SOLUTIONS

SERVICE CENTER REPAIRS

Experienced engineers and technicians on staff at our full-service, in-house repair center

*InstraView*SM REMOTE INSPECTION

Remotely inspect equipment before purchasing with our interactive website at www.instraview.com ↗

WE BUY USED EQUIPMENT

Sell your excess, underutilized, and idle used equipment. We also offer credit for buy-backs and trade-ins. www.artisanng.com/WeBuyEquipment ↗

LOOKING FOR MORE INFORMATION?

Visit us on the web at www.artisanng.com ↗ for more information on price quotations, drivers, technical specifications, manuals, and documentation

Contact us: (888) 88-SOURCE | sales@artisanng.com | www.artisanng.com