



Artisan Technology Group is your source for quality new and certified-used/pre-owned equipment

- FAST SHIPPING AND DELIVERY
- TENS OF THOUSANDS OF IN-STOCK ITEMS
- EQUIPMENT DEMOS
- HUNDREDS OF MANUFACTURERS SUPPORTED
- LEASING/MONTHLY RENTALS
- ITAR CERTIFIED SECURE ASSET SOLUTIONS

SERVICE CENTER REPAIRS

Experienced engineers and technicians on staff at our full-service, in-house repair center

*InstraView*SM REMOTE INSPECTION

Remotely inspect equipment before purchasing with our interactive website at www.instraview.com ↗

WE BUY USED EQUIPMENT

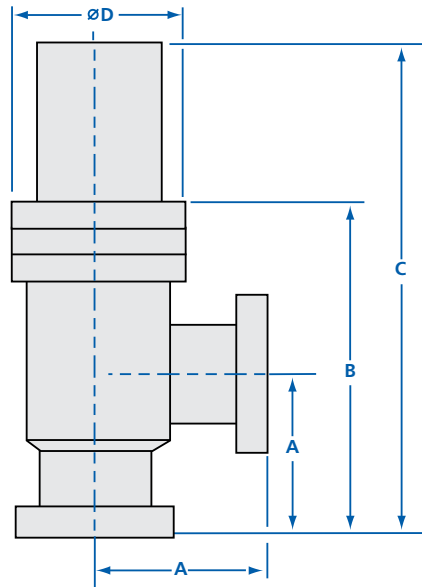
Sell your excess, underutilized, and idle used equipment. We also offer credit for buy-backs and trade-ins. www.artisanng.com/WeBuyEquipment ↗

LOOKING FOR MORE INFORMATION?

Visit us on the web at www.artisanng.com ↗ for more information on price quotations, drivers, technical specifications, manuals, and documentation

Contact us: (888) 88-SOURCE | sales@artisanng.com | www.artisanng.com

Isolation Valves - Pneumatic Viton Seal Angle Valves



SPECIFICATIONS

Port ODs: $\frac{3}{8}$ to 4 inches

Materials

Body: Electropolished 304 stainless steel

Bellows: Welded AM-350 stainless steel

Bonnet and Poppet seal: Viton

Other O-ring compounds available

Actuation: Normally closed

$\frac{3}{8}$ to 2 inch ODs: Air-to-open, spring-to-close

$2\frac{1}{2}$ to 4 inch ODs: Air-to-open, air-to-close

Operating pressure: 60 to 80 psig

Differential pressure

Maximum 20 psia across valve seat

Maximum temperature with Viton seals

Sustained: $\leq 150^{\circ}\text{C}$ Intermittent: $\leq 204^{\circ}\text{C}$

Vacuum range

Viton bonnet seal: $\geq 1 \times 10^{-9}$ Torr - High vacuum

Options: Fittings, O-rings, air solenoids, micro-switches and actuators.

Thermal: Heater jackets and controllers available for all valves.

Pneumatic Viton Seal Angle Valves

MODEL NUMBER	PORT OD	DESCRIPTION	A	B	C	D
ESVP-038	$\frac{3}{8}$	No flanges	1.50	3.62	5.77	2.25
ESVP-0382-CF	$\frac{3}{8}$	Rotatable 1.33 CF	1.60	3.72	5.87	2.25
ESVP-0382-NWB	$\frac{3}{8}$	NW-10B	1.65	3.77	5.92	2.25
ESVP-050	$\frac{1}{2}$	No flanges	1.50	3.62	5.77	2.25
ESVP-0502-CF	$\frac{1}{2}$	Rotatable 1.33 CF	1.60	3.72	5.87	2.25
ESVP-0502-NWB	$\frac{1}{2}$	NW-10B	1.65	3.77	5.92	2.25
ESVP-075	$\frac{3}{4}$	No flanges	2.00	4.12	6.26	2.25
ESVP-0752-CF	$\frac{3}{4}$	Rotatable 1.33 CF	2.50	4.62	6.76	2.25
ESVP-0752-NWB	$\frac{3}{4}$	NW-16B	2.15	4.27	6.41	2.25
ESVP-100	1	No flanges	1.88	3.88	6.02	2.25
ESVP-1002-CF	1	Rotatable 2.12 CF	2.05	4.05	6.19	2.25
ESVP-1002-NWB	1	NW-25B	2.03	4.03	6.17	2.25
ESVP-150	$1\frac{1}{2}$	No flanges	2.25	4.98	7.56	3.00
ESVP-1502-CF	$1\frac{1}{2}$	Rotatable 2.75 CF	2.46	5.19	7.77	3.00
ESVP-1502-NWB	$1\frac{1}{2}$	NW-40B	2.40	5.13	7.71	3.00
ESVP-200	2	No flanges	3.25	6.74	11.23	3.50
ESVP-2002-CF	2	Rotatable 3.38 CF	3.48	6.97	11.46	3.50
ESVP-2002-NWB	2	NW-50B	3.40	6.89	11.38	3.50
ESVP-2002-ASA	2	Rotatable ASA-5-200R	3.50	6.99	11.48	3.50
ESVP-250	$2\frac{1}{2}$	No flanges	3.00	7.18	10.10	4.00
ESVP-2502-CF	$2\frac{1}{2}$	4.50 CF	3.38	7.56	10.48	4.00
ESVP-2502-ISO	$2\frac{1}{2}$	ISO-63-250-OF	3.25	7.43	10.35	4.00
ESVP-2502-ASA	$2\frac{1}{2}$	Rotatable ASA-5-250R	3.25	7.43	10.35	4.00
ESVP-300	3	No flanges	3.25	7.62	11.00	4.50
ESVP-3002-CF	3	Rotatable 4.62 CF	3.53	7.90	11.28	4.50
ESVP-3002-ISO	3	ISO-80-300-OF	3.50	7.87	11.25	4.50
ESVP-3002-ASA	3	Rotatable ASA-6-300R	3.50	7.87	11.25	4.50
ESVP-400	4	No flanges	4.22	9.55	14.99	6.50
ESVP-4002-CF	4	Rotatable 6.00 CF	4.66	9.99	15.43	6.50
ESVP-4002-ISO	4	ISO-100-400-OF	4.47	9.80	15.24	6.50
ESVP-4002-ASA	4	Rotatable ASA-7.5-400R	4.47	9.80	15.24	6.50





Artisan Technology Group is your source for quality new and certified-used/pre-owned equipment

- FAST SHIPPING AND DELIVERY
- TENS OF THOUSANDS OF IN-STOCK ITEMS
- EQUIPMENT DEMOS
- HUNDREDS OF MANUFACTURERS SUPPORTED
- LEASING/MONTHLY RENTALS
- ITAR CERTIFIED SECURE ASSET SOLUTIONS

SERVICE CENTER REPAIRS

Experienced engineers and technicians on staff at our full-service, in-house repair center

*InstraView*SM REMOTE INSPECTION

Remotely inspect equipment before purchasing with our interactive website at www.instraview.com ↗

WE BUY USED EQUIPMENT

Sell your excess, underutilized, and idle used equipment. We also offer credit for buy-backs and trade-ins. www.artisanng.com/WeBuyEquipment ↗

LOOKING FOR MORE INFORMATION?

Visit us on the web at www.artisanng.com ↗ for more information on price quotations, drivers, technical specifications, manuals, and documentation

Contact us: (888) 88-SOURCE | sales@artisanng.com | www.artisanng.com