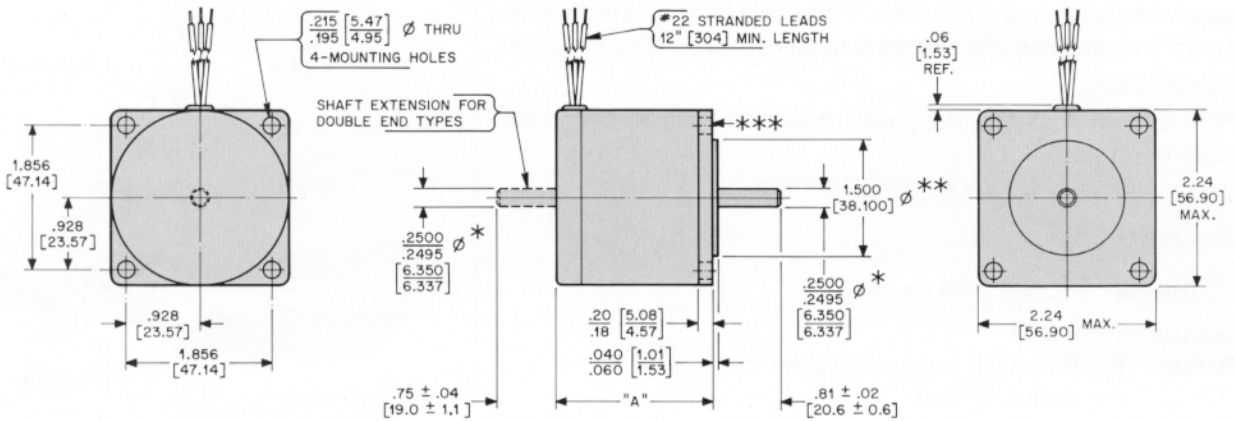


AC SYNCHRONOUS MOTOR DIMENSIONS

DIMENSIONS



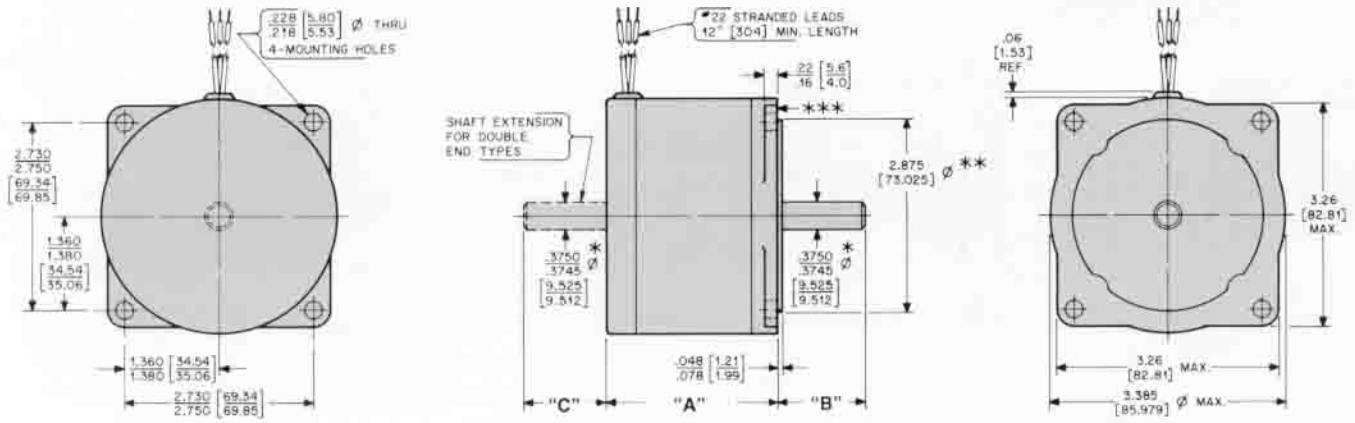
BASIC MOTOR TYPE	"A" MAX.
SS25	2.27 [57.66]
TS25	3.27 [83.06]

- * SHAFT RUNOUT .002 [0.051] MAX.
- ** DIAMETER TOLERANCE ± .002 [0.051]
- ** DIAMETER CONCENTRIC TO SHAFT DIAMETER WITHIN .003 [0.077] T.I.P
- *** SURFACE SQUARE TO SHAFT DIAMETER WITHIN .003 [0.077] T.I.R.

NOTES--

- 1-Dimensions in brackets are millimeters.
- 2-Tolerance on decimals ---
.XXX = ± 0.005 [0.13] unless otherwise specified.
- 3-Dimensions shown apply before painting or plating.
- 4-This drawing shows only those features which are pertinent to the form, fit, and function of the motor.

SS25, SS25E, TS25 and TS25E Motors

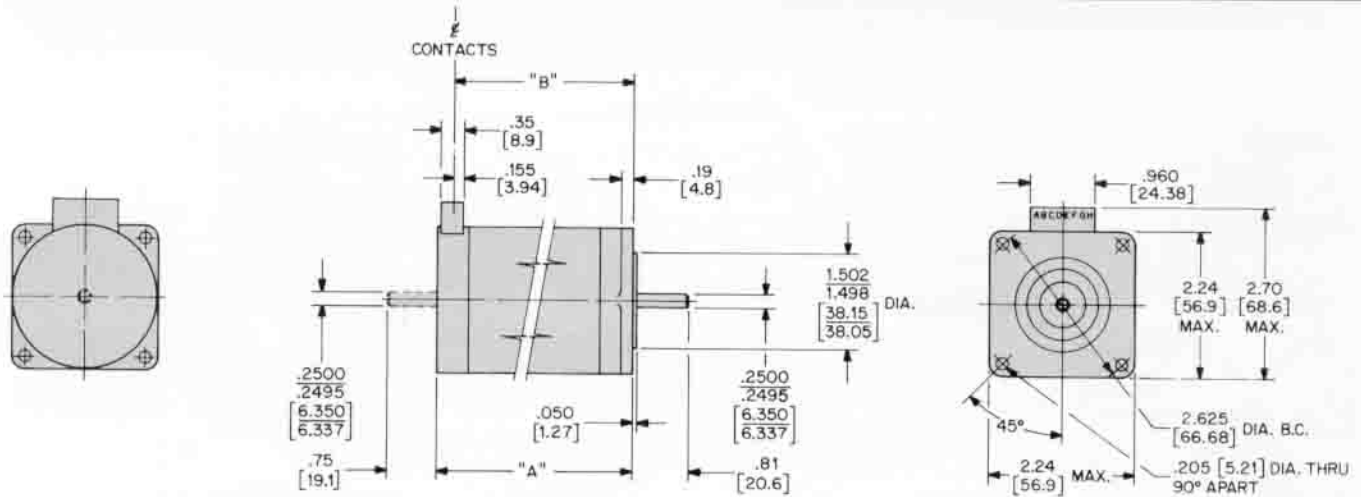


NOTES:--
 1 - Dimensions in brackets are millimeters
 2 - Tolerance on decimals --
 XXX = ±0.005 [0.13] unless otherwise specified.
 3 - Dimensions shown apply before painting or plating
 4 - This drawing shows only those features which are pertinent to the form, fit and function of the motor.

1 - SHAFT RUNOUT .002 [0.051] MAX.
 2 - DIAMETER TOLERANCE ± .002 [0.051] DIAMETER CONCENTRIC TO SHAFT DIAMETER WITHIN .003 [0.077] T.I.R.
 3 - SURFACE SQUARE TO SHAFT DIAMETER WITHIN .003 [0.077] T.I.R.

MOTOR TYPE	"A" MAX.	"B"	"C"
TS50/TS50E/TS52/TS52E	3.72 [94.49]	1.25 [31.8]	1.25 [31.8]
SS50/SS52/SS80/SS80E/SS82/SS82E	2.47 [62.74]	1.19 [30.2]	1.12 [28.4]

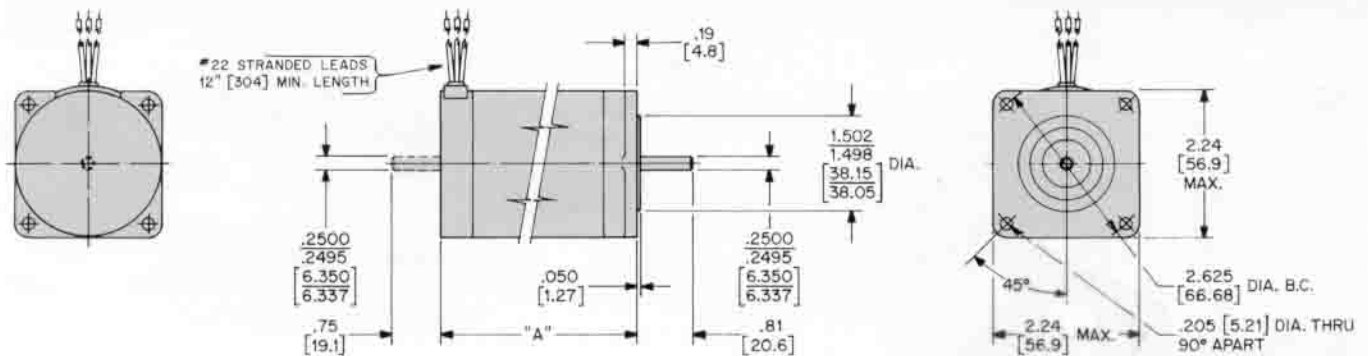
TS50, TS50E, TS52, TS52E, SS50, SS52, SS80, SS80E, SS82 and SS82E Motors



NOTES:--
 1. All dimensions apply before painting/plating.
 2. Dimensions in brackets are millimeters.

MOTOR TYPE	"A" MAX.	"B"
SS91/SS91E SS92/SS92E	3.02 [76.7]	2.64 [67.1]
SS131/SS131E SS132/SS132E	4.02 [102.1]	3.64 [92.5]

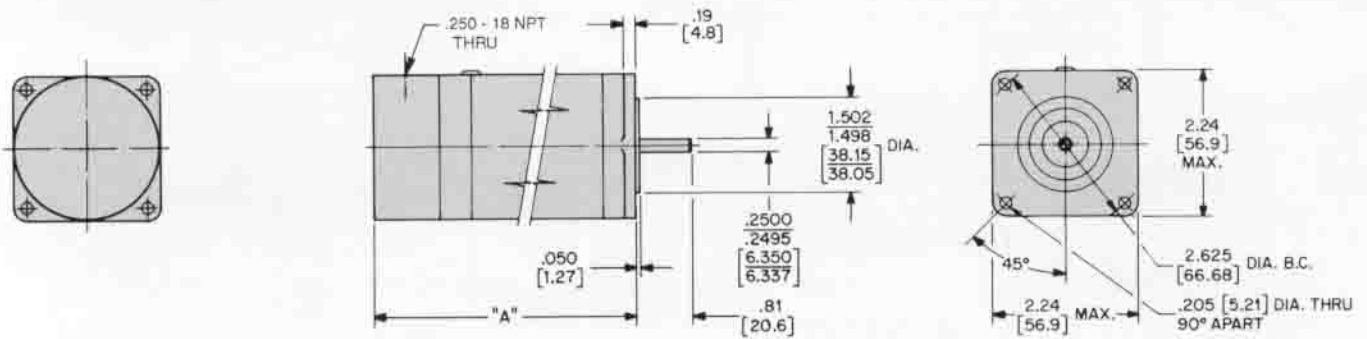
SS91, SS91E, SS92, SS92E, SS131, SS131E, SS132 and SS132E Motors



NOTES:--
 1. All dimensions apply before painting/plating.
 2. Dimensions in brackets are millimeters.

MOTOR TYPE	"A" MAX.
SS91/SS91E SS92/SS92E	3.02 [76.7]
SS131/SS131E SS132/SS132E	4.02 [102.1]

SS91L, SS91LE, SS92L, SS92LE, SS131L, SS131LE, SS132L and SS132LE Motors

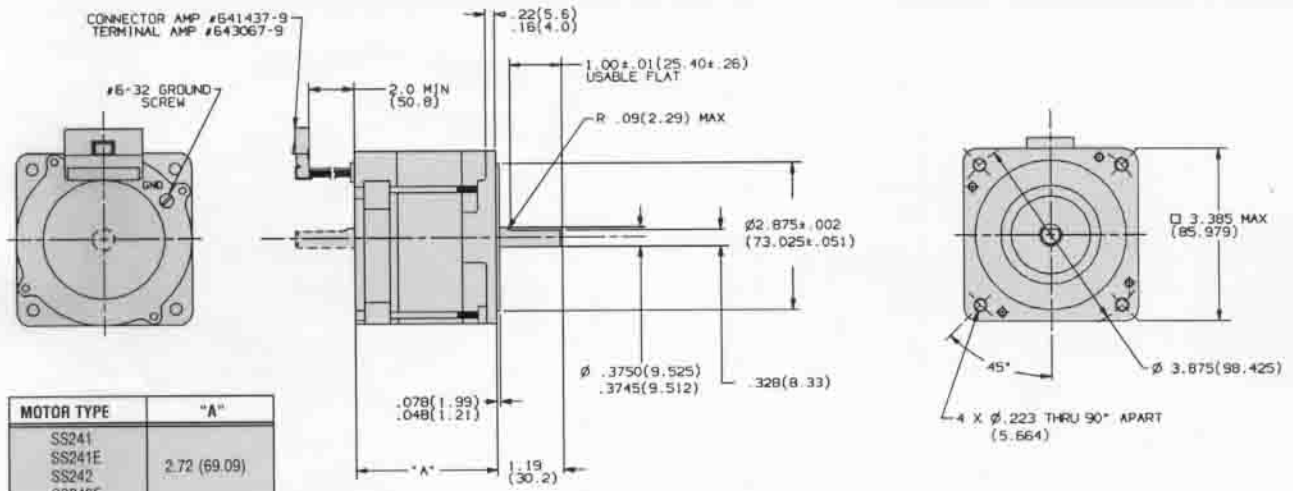


MOTOR TYPE	"A" MAX.
SS91T / SS92T	4.02 [102.1]
SS131T / SS132T	5.02 [137.8]

NOTES:--

1. All dimensions apply before painting/plating.
2. Dimensions in brackets are millimeters.

SS91T, SS92T, SS131T, SS132T Motors

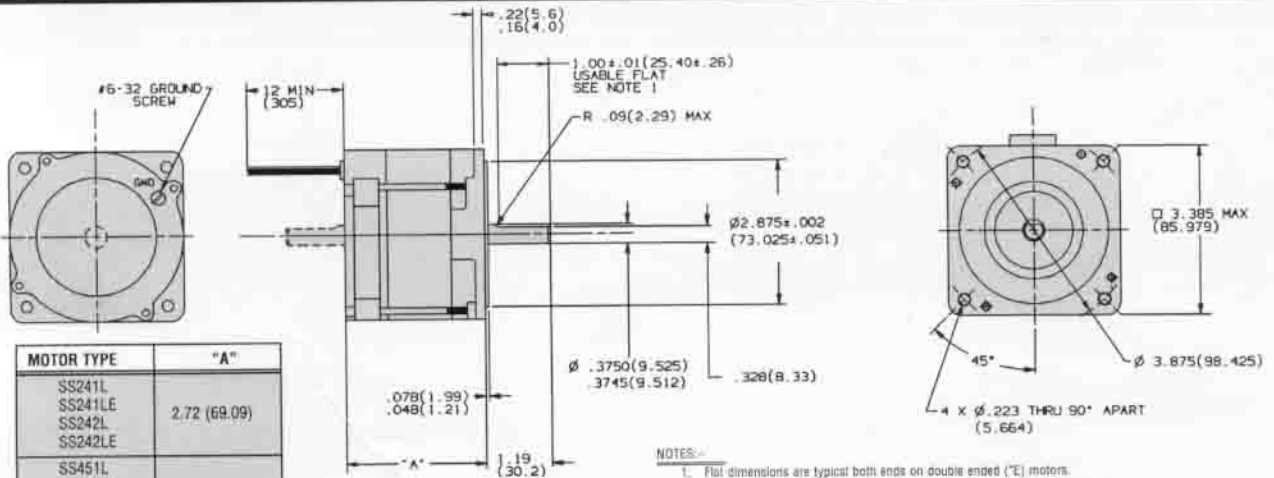


MOTOR TYPE	"A"
SS241 SS241E SS242 SS242E	2.72 (69.09)
SS451 SS451E SS452 SS452E	4.32 (109.73)

NOTES:--

1. Flat dimensions are typical both ends on double ended ("E") motors.
2. All dimensions apply before painting/plating.
3. Dimensions in brackets are millimeters.
4. Mating connector supplied.

SS241, SS241E, SS242, SS242E, SS451, SS451E, SS452 and SS452E Motors



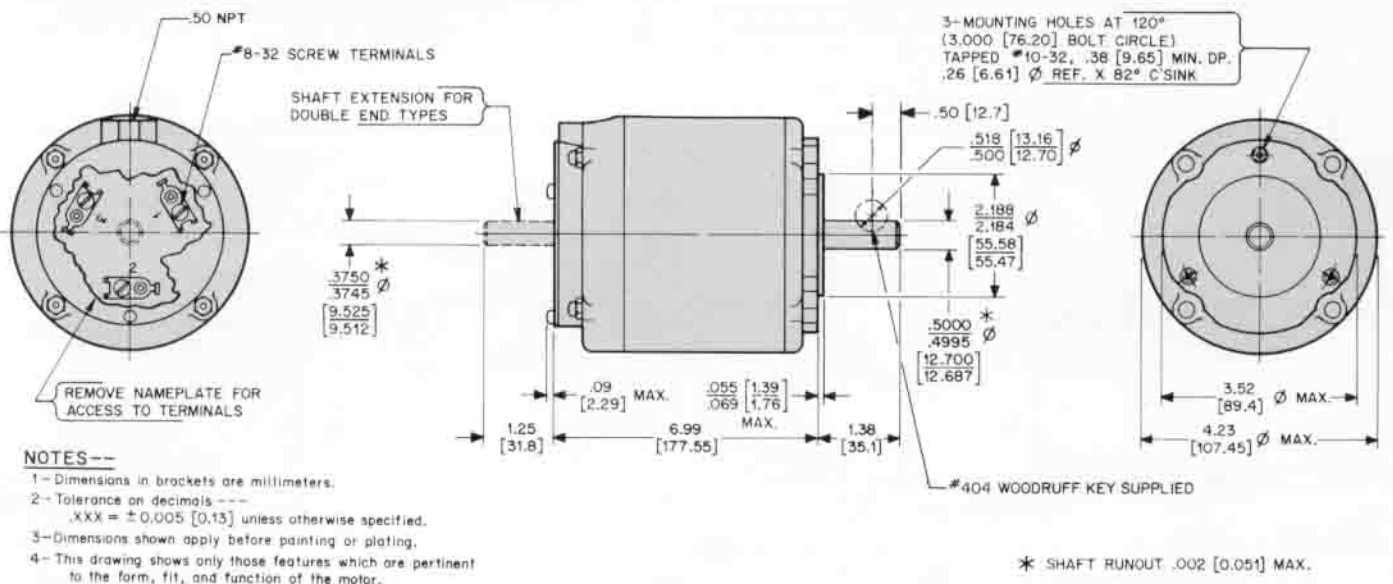
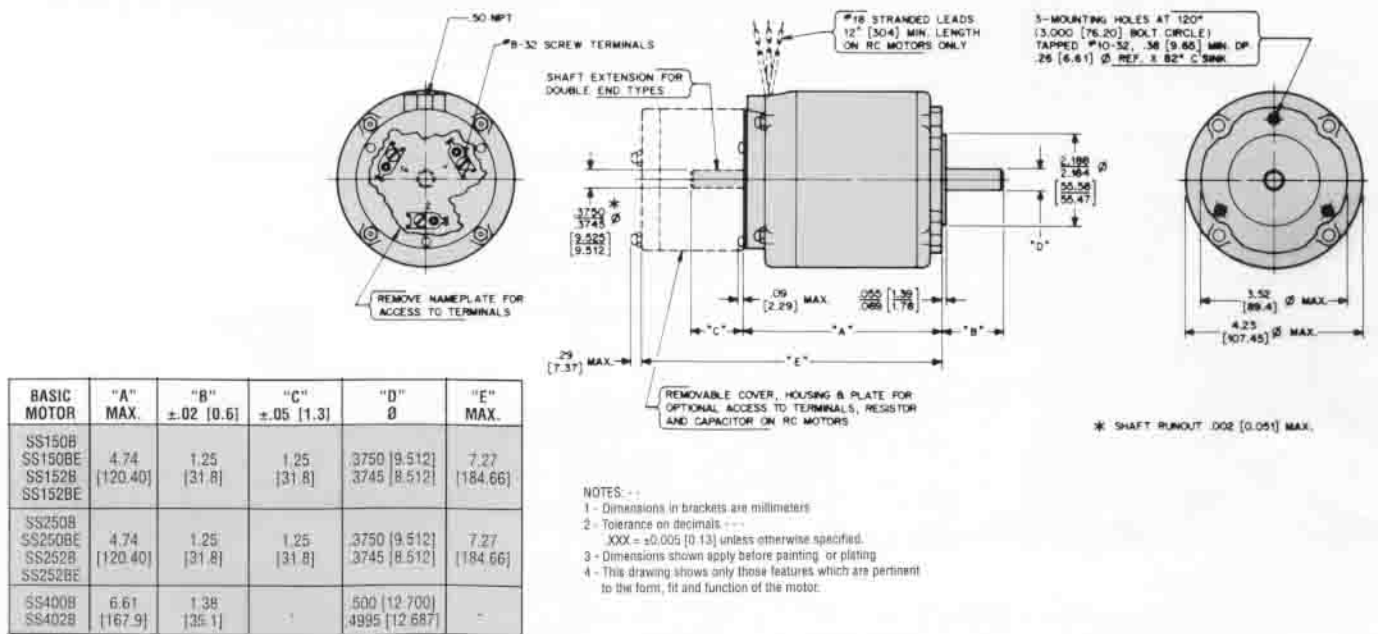
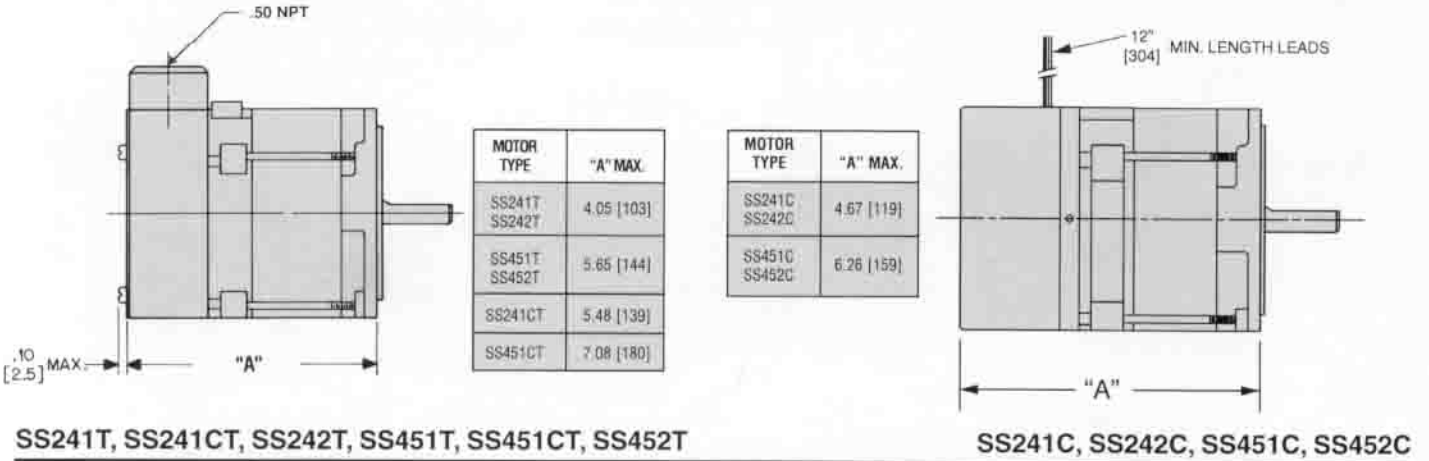
MOTOR TYPE	"A"
SS241L SS241LE SS242L SS242LE	2.72 (69.09)
SS451L SS451LE SS452L SS452LE	4.32 (109.73)

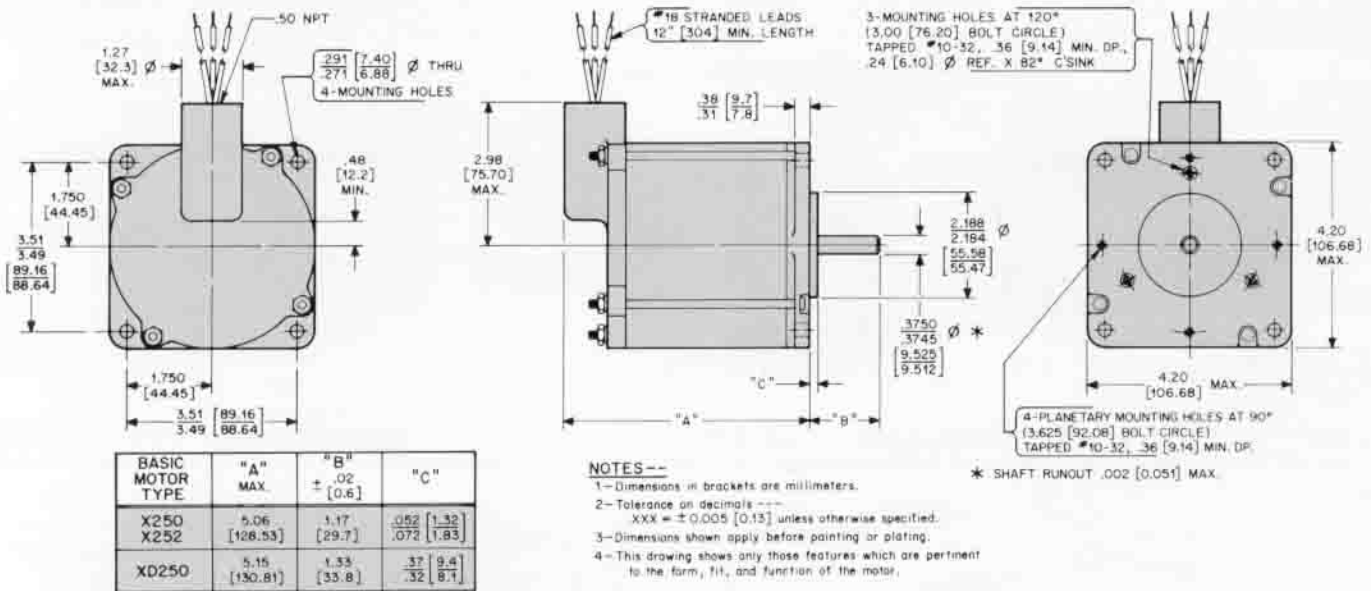
NOTES:--

1. Flat dimensions are typical both ends on double ended ("E") motors.
2. All dimensions apply before painting/plating.
3. Dimensions in brackets are millimeters.

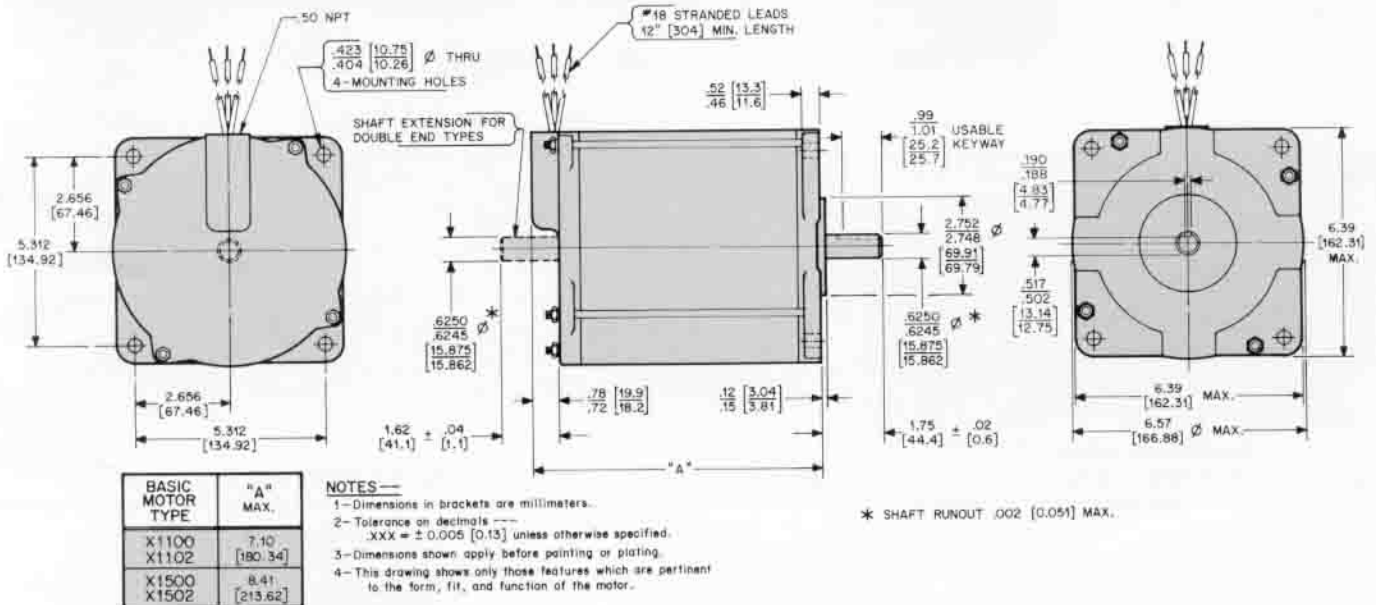
SS241L, SS241LE, SS242L, SS242LE, SS451L, SS451LE, SS452L, SS452LE Motors

SLO-SYN® AC Synchronous Motors

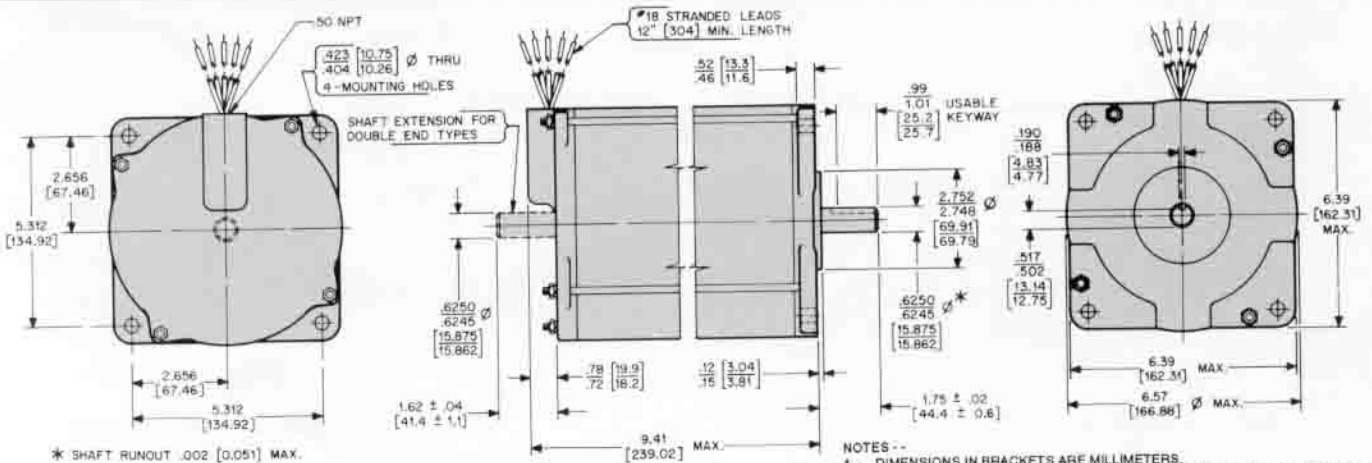




X250, X252 and XD250 Motors



X1100, X1102, X1500 and X1502 Motors



SS1800 and SS1082 Motors