



Artisan Technology Group is your source for quality new and certified-used/pre-owned equipment

- FAST SHIPPING AND DELIVERY
- TENS OF THOUSANDS OF IN-STOCK ITEMS
- EQUIPMENT DEMOS
- HUNDREDS OF MANUFACTURERS SUPPORTED
- LEASING/MONTHLY RENTALS
- ITAR CERTIFIED SECURE ASSET SOLUTIONS

SERVICE CENTER REPAIRS

Experienced engineers and technicians on staff at our full-service, in-house repair center

*InstraView*SM REMOTE INSPECTION

Remotely inspect equipment before purchasing with our interactive website at www.instraview.com ↗

WE BUY USED EQUIPMENT

Sell your excess, underutilized, and idle used equipment. We also offer credit for buy-backs and trade-ins. www.artisanng.com/WeBuyEquipment ↗

LOOKING FOR MORE INFORMATION?

Visit us on the web at www.artisanng.com ↗ for more information on price quotations, drivers, technical specifications, manuals, and documentation

Contact us: (888) 88-SOURCE | sales@artisanng.com | www.artisanng.com

TIP850

16 Channel 12 bit A/D

4 Channel 12 bit D/A

Version 1.2

User Manual

Issue 1.9

September 2006

D75850800

TEWS TECHNOLOGIES GmbH

Am Bahnhof 7
25469 Halstenbek, Germany
www.tews.com

Phone: +49-(0)4101-4058-0
Fax: +49-(0)4101-4058-19
e-mail: info@tews.com

TEWS TECHNOLOGIES LLC

9190 Double Diamond Parkway,
Suite 127, Reno, NV 89521, USA
www.tews.com

Phone: +1 (775) 850 5830
Fax: +1 (775) 201 0347
e-mail: usasales@tews.com

TIP850-10

16 Channel 12 bit A/D (gain 1, 10, 100),

4 Channel 12 bit D/A

TIP850-11

16 Channel 12 bit A/D (gain 1, 2, 4, 8),

4 Channel 12 bit D/A

This manual covers both products

This document contains information, which is proprietary to TEWS TECHNOLOGIES GmbH. Any reproduction without written permission is forbidden.

TEWS TECHNOLOGIES GmbH has made any effort to ensure that this manual is accurate and complete. However TEWS TECHNOLOGIES GmbH reserves the right to change the product described in this document at any time without notice.

TEWS TECHNOLOGIES GmbH is not liable for any damage arising out of the application or use of the device described herein.

Style Conventions

Hexadecimal characters are specified with prefix 0x, i.e. 0x029E (that means hexadecimal value 029E).

For signals on hardware products, an 'Active Low' is represented by the signal name with # following, i.e. IP_RESET#.

Access terms are described as:

W Write Only

R Read Only

R/W Read/Write

R/C Read/Clear

R/S Read/Set

©1994-2006 by TEWS TECHNOLOGIES GmbH

IndustryPack is a registered trademark of SBS Technologies, Inc

Issue	Description	Date
1.0	First Issue	June 1994
1.1	Change of settling time	December 1994
1.2	Change of settling time	February 1996
1.3	New Hardware Version 1.2	January 2003
1.4	Addition "Technical Specification"	April 2003
1.5	I/O Pin Assignment Corrected	July 2003
1.6	Description ID PROM Contents	August 2003
1.7	Addition "Technical Specification"	April 2004
1.8	Added Programming Note and Installation Note	October 2004
1.9	New address TEWS LLC	September 2006

Table of Contents

1	PRODUCT DESCRIPTION	6
2	TECHNICAL SPECIFICATION	7
3	FUNCTIONAL DESCRIPTION	8
	3.1 Analog Input	8
	3.2 Analog Output	8
	3.3 Data Correction	9
	3.3.1. ADC Correction formula.....	9
	3.3.2. DAC Correction formula.....	9
4	ID PROM CONTENTS	10
	4.1 ID PROM Contents TIP850-10 Version 1.0.....	10
	4.2 ID PROM Contents TIP850 Version 1.1 and 1.2.....	11
5	IP ADDRESSING TIP850	12
	5.1 I/O Addressing.....	12
	5.2 ADC Control and Status Register.....	13
	5.2.1 ADC Control.....	14
	5.2.2 ADC Status	14
	5.2.3 ADC Gain Depend Settling Time.....	14
	5.3 ADC Convert Register	15
	5.4 ADC Data Register	15
	5.5 DAC Data Register	16
	5.6 DAC Load Register	16
	5.7 Interrupt Vector Register.....	17
6	PIN ASSIGNMENT – I/O CONNECTOR	18
7	PROGRAMMING NOTES	19
8	INSTALLATION NOTES	20

Table of Figures

FIGURE 1-1 : BLOCK DIAGRAM.....	6
FIGURE 2-1 : TECHNICAL SPECIFICATION.....	7
FIGURE 4-1 : ID PROM CONTENTS TIP850-10 V1.0.....	10
FIGURE 4-2 : ID PROM CONTENTS TIP850 V1.1 AND V1.2.....	11
FIGURE 5-1 : REGISTER SET.....	12
FIGURE 5-2 : 16 BIT ADC CONTROL AND STATUS REGISTER.....	13
FIGURE 5-3 : TABLE OF ADC SETTLING TIME.....	14
FIGURE 5-4 : ADC DATA REGISTER.....	15
FIGURE 5-5 : DAC DATA REGISTER.....	16
FIGURE 5-6 : INTERRUPT VECTOR REGISTER.....	17
FIGURE 6-1 : PIN ASSIGNMENT I/O CONNECTOR.....	18

1 Product Description

The TIP850 is an IndustryPack® compatible module and offers 16 single-ended or 8 differential channels of 12 bit A/D conversion together with 4 channels of 12 bit D/A conversion.

The input multiplexer of the A/D circuit offers analog overvoltage protection of up to 70Vpp. A programmable gain amplifier allows gains of 1, 10, 100 or 1, 2, 4, 8. The full-scale input range is +/-10V. The data acquisition and conversion time is up to 10µs without channel / gain change and up to 62µs with channel / gain change (more information see chapter "ADC Gain Depend Settling Time").

The four D/A channels provide simultaneous loading and output voltages of +/-10V. Default value after reset is 0V for all D/A channels. The settling time to 0.01% is 10µs maximum. Each TIP850 is factory calibrated. The calibration information for A/D and D/A circuits are stored in the Identification PROM unique to each IP.

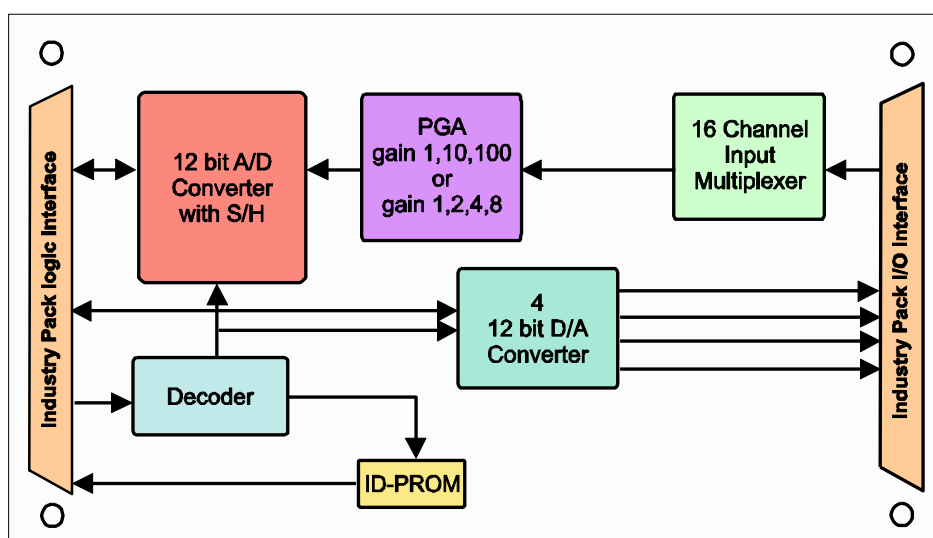


Figure 1-1 : Block Diagram

2 Technical Specification

IP Interface					
Interface	Single Size IndustryPack® Logic Interface compliant to ANSI/VITA 4-1995				
ID ROM Data	Format I				
I/O Space	Used with no wait states				
Memory Space	Not used				
Interrupts	INTREQ0# used by A/D conversion				
DMA	Not supported				
Clock Rate	8 MHz				
Module Type	Type I				
I/O Interface					
Number of Analog Inputs	16 single-ended channels or 8 differential channels				
Input Gain Amplifier	programmable for gain 1, 10, 100 (TIP850-10 only) programmable for gain 1, 2, 4, 8 (TIP850-11 only)				
Input Voltage Range	<table border="0" style="width: 100%;"> <tr> <td style="width: 50%; vertical-align: top;"> for TIP850-10 : ±10V (gain = 1) ±1V (gain = 10) ±0.1V (gain = 100) </td> <td style="width: 50%; vertical-align: top;"> for TIP850-11: ±10V (gain = 1) ±5V (gain = 2) ±2.5V (gain = 4) ±1.25V (gain = 8) </td> </tr> </table> <p>Note: The module accuracy is guaranteed at the ±10V input voltage range only for voltage range of ±9.6V.</p>	for TIP850-10 : ±10V (gain = 1) ±1V (gain = 10) ±0.1V (gain = 100)	for TIP850-11: ±10V (gain = 1) ±5V (gain = 2) ±2.5V (gain = 4) ±1.25V (gain = 8)		
for TIP850-10 : ±10V (gain = 1) ±1V (gain = 10) ±0.1V (gain = 100)	for TIP850-11: ±10V (gain = 1) ±5V (gain = 2) ±2.5V (gain = 4) ±1.25V (gain = 8)				
Input Overvoltage	Input overvoltage protection up to 70Vpp				
Input A/D Converter	12 bit, 10µsec sampling time (ADS7804)				
Number of Analog Outputs	4 channel				
Output Voltage Range	± 10V				
Output Current Minimum	± 5mA				
Output D/A Converter	12 bit, maximum of 10µsec settling time (DAC7724)				
Calibration Data	Calibration data for gain and offset correction in ID PROM				
Interface Connector	50-conductor flat cable				
Physical Data					
Power Requirements	180mA typical @ +5V DC 10mA typical @ +12V DC (without analog output loads) -10mA typical @ -12V DC (without analog output loads)				
Temperature Range	<table border="0" style="width: 100%;"> <tr> <td style="width: 30%;">Operating</td> <td>-40 °C to +85 °C</td> </tr> <tr> <td>Storage</td> <td>-40°C to +125°C</td> </tr> </table>	Operating	-40 °C to +85 °C	Storage	-40°C to +125°C
Operating	-40 °C to +85 °C				
Storage	-40°C to +125°C				
MTBF	456000 h				
Humidity	5 – 95 % non-condensing				
Weight	30 g				

Figure 2-1 : Technical Specification

3 Functional Description

3.1 Analog Input

The TIP850 provides 16 single-ended or 8 differential multiplexed analog inputs. The desired input and the mode (single-ended or differential) are selected by programming the input multiplexer.

A software programmable gain amplifier with gain settings of 1, 10 and 100 for the TIP850-10 and 1, 2, 4 and 8 for the TIP850-11 allows a direct connection of a wide range of sensors and instrumentation. The maximum analog input voltage range is $\pm 10V$ at a gain of 1.

The ADC is a 12 bit ADS7804 with a minimum sampling rate of 100 kHz. The 12 data bit are aligned in the least significant 12 bit of a 16 bit data word. The sign bit is extend by hardware into the upper 4 bit of the 16 bit word. For this reason the data value can be directly used in 16 bit integer arithmetic as two's complement value.

In multiplexed analog input systems a settling time must expire before the data can be converted after the change of the input channel. This settling time depends on the programmed gain. At the most analog input solutions it is the responsibility of the user to observe the settling time. The TIP850 module has an "Automatic Settling Time Control" mode. If this mode is enabled, a write to the ADC Control and Status Register, which is necessary to select a new input channel by the multiplexer, initiates a data conversion automatically after the settling time has expired.

The absolute accuracy of the module is increased by using the possibility to correct the data by software with factory calibration factors, which are stored in the individual ID PROM of the module.

3.2 Analog Output

The TIP850 has four 12 bit analog outputs with a voltage range of $\pm 10V$. The four DAC are implemented in a single converter DAC7724.

The DAC7724 has a double data buffer. New data values for the outputs can be loaded for all four channels without affecting the output voltage. Then, with a single command, all four channels update simultaneously to the new values.

3.3 Data Correction

There are two errors that affect the DC accuracy of the ADC and DAC. The first is the zero error (offset). For the ADC this is the data value when converting with the input connected with its own ground in single-ended mode, or with shorted inputs in differential mode. For the DAC it is the data value required to produce a zero voltage output signal. This error is corrected by subtracting the known error from all readings.

The second error is the gain error. Gain error is the difference between the ideal gain and the actual gain of the programmable gain amplifier and the ADC, respectively DAC. It is corrected by multiplying the data value by a correction factor.

The data correction values are obtained during factory calibration and are stored in the modules individual version of the ID PROM. The ADC has a pair of offset and gain correction values for each of the programmable gains. The DAC has a pair of offset and gain correction values for each single output channel.

The correction values are stored in the ID PROM as two's complement byte wide values in the range -128 to 127. For higher accuracy they are scaled to ¼ LSB.

3.3.1. ADC Correction formula

The basic formula for correcting any ADC reading is:

$$\text{Value} = \text{Reading} * (1 - \text{Gain}_{\text{corr}} / 8192) - \text{Offset}_{\text{corr}} / 4$$

Value is the corrected result, **Reading** is the data read from the ADC, **Gain_{corr}** and **Offset_{corr}** are the correction factors from the ID PROM.

Gain_{corr} and Offset_{corr} correction factors are stored for each for the possible gain settings.

Floating point arithmetic or scaled integer arithmetic is necessary to avoid rounding error while computing above formula.

3.3.2. DAC Correction formula

The basic formula for correcting any DAC output is:

$$\text{Data} = \text{Value} * (1 - \text{Gain}_{\text{corr}} / 8192) - \text{Offset}_{\text{corr}} / 4$$

Data is the number that will be sent to the DAC, **Value** is the desired output value, **Gain_{corr}** and **Offset_{corr}** are the correction factors from the ID PROM.

Gain_{corr} and Offset_{corr} correction factors are stored for each of the four DAC outputs.

Floating point arithmetic or scaled integer arithmetic is necessary to avoid rounding error while computing above formula.

4 ID PROM Contents

4.1 ID PROM Contents TIP850-10 Version 1.0

Address	Function	Contents
0x01	ASCII 'I'	0x49
0x03	ASCII 'P'	0x50
0x05	ASCII 'A'	0x41
0x07	ASCII 'C'	0x43
0x09	Manufacturer ID	0xB3
0x0B	Model Number	0x09
0x0D	Revision	0x10
0x0F	Reserved	0x00
0x11	Driver-ID Low – Byte	0x00
0x13	Driver-ID High – Byte	0x00
0x15	Number of bytes used	0x1A
0x17	CRC	board dependent
0x19	DAC1 Offset	board dependent
0x1B	DAC2 Offset	board dependent
0x1D	DAC3 Offset	board dependent
0x1F	DAC4 Offset	board dependent
0x21	DAC1 Gain	board dependent
0x23	DAC2 Gain	board dependent
0x25	DAC3 Gain	board dependent
0x27	DAC4 Gain	board dependent
0x29	ADC Offset (Gain = 1)	board dependent
0x2B	ADC Offset (Gain = 10)	board dependent
0x2D	ADC Offset (Gain = 100)	board dependent
0x2F	ADC Gain (Gain = 1)	board dependent
0x31	ADC Gain (Gain = 10)	board dependent
0x33	ADC Gain (Gain = 100)	board dependent

Figure 4-1 : ID PROM Contents TIP850-10 V1.0

This ID PROM layout is only valid for TIP850-10 modules with a version number of V1.0.

4.2 ID PROM Contents TIP850 Version 1.1 and 1.2

Address	Function	Contents
0x01	ASCII 'I'	0x49
0x03	ASCII 'P'	0x50
0x05	ASCII 'A'	0x41
0x07	ASCII 'C'	0x43
0x09	Manufacturer ID	0xB3
0x0B	Model Number	0x09 (for TIP850-10) 0x11 (for TIP850-11)
0x0D	Revision	0x11
0x0F	Reserved	0x00
0x11	Driver-ID Low – Byte	0x00
0x13	Driver-ID High – Byte	0x00
0x15	Number of bytes used	0x1C
0x17	CRC	board dependent
0x19	DAC1 Offset	board dependent
0x1B	DAC2 Offset	board dependent
0x1D	DAC3 Offset	board dependent
0x1F	DAC4 Offset	board dependent
0x21	DAC1 Gain	board dependent
0x23	DAC2 Gain	board dependent
0x25	DAC3 Gain	board dependent
0x27	DAC4 Gain	board dependent
0x29	ADC Offset (Gain = 1)	board dependent
0x2B	ADC Offset (Gain = 2, 10)	board dependent
0x2D	ADC Offset (Gain = 4, 100)	board dependent
0x2F	ADC Offset (Gain = 8)	board dependent
0x31	ADC Gain (Gain = 1)	board dependent
0x33	ADC Gain (Gain = 2, 10)	board dependent
0x35	ADC Gain (Gain = 4, 100)	board dependent
0x37	ADC Gain (Gain = 8)	board dependent

Figure 4-2 : ID PROM Contents TIP850 V1.1 and V1.2

This ID PROM layout is only valid for TIP850 modules with a version number of V1.1 and higher.

5 IP Addressing TIP850

The TIP850 is controlled by a set of registers, which are directly accessible in the I/O address space of the IP address space.

5.1 I/O Addressing

The complete register set of the TIP850 is accessible in the I/O space of the IP.

Address	Symbol	Description	Size (Bit)	Access
0x00	ADCCSR	ADC Control and Status Register	16	W
0x02	ADCCON	ADC Convert Register	16	W
0x04	ADCDAT	ADC Data Register	16	R
0x06	DACDA1	DAC 1 Data Register	16	W
0x08	DACDA2	DAC 2 Data Register	16	W
0x0A	DACDA3	DAC 3 Data Register	16	W
0x0C	DACDA4	DAC 4 Data Register	16	W
0x0E	DACLOA	DAC Load Register	16	W
0x41	INTVEC	Interrupt Vector Register	8	R

Figure 5-1 : Register Set

5.2 ADC Control and Status Register

The ADC Control and Status Register (ADCCSR) is used to select an input channel, the gain and the mode for the next data conversion by writing the corresponding bit pattern into bit 0 to bit 8. The status of the ADC can be obtained by reading bit 14 and bit 15.

Bit	Symbol	Description	Access	Reset Value
15 (MSB)	ADC Busy	ADC Busy Status	R	0
14	Settle Busy	Settling Time Busy Status	R	0
13:9	-	-	-	-
8	INTENA	ADC Interrupt Enable 0 : Interrupt is disabled 1 : Interrupt is enabled	W	0
7	ASTCE	ADC Automatic Settling Time Control 0 : automatic control is disabled 1 : automatic control is enabled	W	0
6	G1	ADC Gain Selection TIP850-10 00 – gain = 1 01 – gain = 10 10 – gain = 100 TIP850-11 00 – gain = 1 01 – gain = 2 10 – gain = 4 11 – gain = 8	W	00
5	G0			
4	DIF	Differential Mode Enable 0 : Single-ended Mode 1 : Differential Mode	W	0
3	CS3	ADC Channel Selection Single-ended Mode 0000 – Channel 1 0001 – Channel 2 0010 – Channel 3 ... 1111 – Channel 16 Differential Mode 0000 – Channel 1 0001 – Channel 2 0010 – Channel 3 ... 0111 – Channel 8	W	0000
2	CS2			
1	CS1			
0 (LSB)	CS0			

Figure 5-2 : 16 bit ADC Control and Status Register

5.2.1 ADC Control

The Channel Selection bits (bit 0 to bit 3) of the ADC Control Status Register determine the input channel for the next data conversion. These bits are “write only”.

The write only Differential Mode Enable Bit of the ADC Control Status Register is controlling if the module operates in differential or in single-ended mode. If this bit is set to ‘1’ differential mode is selected.

The ADC Gain Selection bits are used to program the gain of the input amplifier. These two bits are also “write only”.

If the write only bit ASTCE of the ADC Control Status Register is set to ‘1’ the automatic control of the settling time is enabled. In this mode data conversion is initiated by writing to the ADC Control Status Register, but however it is automatically delayed by hardware until the gain depended settling time has expired.

The write only bit for ADC Interrupt Enable INTENA of the ADC Control Status Register is used to enable interrupt generation of the module. If this bit is set to ‘1’ an interrupt is always initiated, whenever a data conversion has been completed. If the module is not in the mode of automatic settling time control an additional interrupt is being generated when the settling time has been elapsed after writing to the ADC Control Status Register.

5.2.2 ADC Status

The status of the ADC converter can be obtained reading the ADC Busy bit and the Settle Busy bit of the ADC Control Status Register. As long as ADC Busy is in the state ‘1’, settling time did not expire after writing to the ADC Control Status Register. Settle Busy bit indicates the busy status of the ADC converter itself.

If the automatic settling control is enabled and the ADC status is polled, both bits (14 and 15) have to be ‘0’ before the data value can be read from the ADC Data Register ADCDAT.

5.2.3 ADC Gain Depend Settling Time

TIP850-10	TIP850-11
Gain 1 = 52 μ s	Gain 1 = 52 μ s
Gain 10 = 44 μ s	Gain 2 = 44 μ s
Gain 100 = 156 μ s	Gain 4 = 44 μ s
	Gain 8 = 44 μ s

Figure 5-3 : Table of ADC Settling Time

5.3 ADC Convert Register

By writing any value into the ADC Convert Register (ADCCON) a data conversion is started immediately. This mode is most useful, if a single input channel must be sampled with a maximum data rate.

In this mode it is in the responsibility of the programmer to make sure, that the required accuracy of the data is not affected by the settling time after a change of gain or a change of the input channel.

5.4 ADC Data Register

The ADC Data Register ADCDAT contains the converted data value. The data bit 11 (sign bit) of the ADC is extended into bits 12 to 15 by hardware. This allows direct processing of the data as a 16 bit two's complement integer value.

Bit	Symbol	Description	Access	Reset Value
15 (MSB)	S	12 bit ADC data sign extended in 2's complement	R	
14	S			
13	S			
12	S			
11	S			
10				
9				
8				
7				
6				
5				
4				
3				
2				
1				
0 (LSB)				

Figure 5-4 : ADC Data Register

The ADC data register can be changed as long as the ADC is busy.

5.5 DAC Data Register

Each analog output has its own DAC Data Register (DACDA1, DACDA2, DACDA3, and DACDA4). These registers can be loaded with a two's complement value. Bit 12 to bit 15 are ignored, due to the 12 bit resolution of the DAC itself. The DAC Data Registers are "write only".

However loading the DAC Data Registers does not affect the analog output voltage directly. All output channels will change their voltage at the same time by a write access to the DAC Load Register DACLOA.

Bit	Symbol	Description	Access	Reset Value
15 (MSB)	X	12 bit DAC data in 2's complement	W	0x0000
14	X			
13	X			
12	X			
11	S			
10				
9				
8				
7				
6				
5				
4				
3				
2				
1				
0 (LSB)				

Figure 5-5 : DAC Data Register

Output voltages will be changed only by a write access to the DAC Load Register DACLOA, after loading the DAC Data Registers.

5.6 DAC Load Register

A write access to the DAC Load Register with any data value is starting the conversion of the DAC Data Register content to analog for all four channels at the same time.

A hardware reset will force all analog outputs to a zero output voltage. However this voltage is not corrected for the offset error.

5.7 Interrupt Vector Register

The Interrupt Vector Register INTVEC is a byte wide read/write register. It must be loaded with the desired interrupt vector value, when interrupts shall be used with the TIP850.

Bit	Symbol	Description	Access	Reset Value
7 (MSB)	INTVEC7	Used for IP interrupt acknowledge cycle	R/W	
6	INTVEC6			
5	INTVEC5			
4	INTVEC4			
3	INTVEC3			
2	INTVEC2			
1	INTVEC1			
0 (LSB)	INTVEC0			

Figure 5-6 : Interrupt Vector Register

6 Pin Assignment – I/O Connector

Pin	Signal		Pin	Signal	
	Single-ended	Differential		Single-ended	Differential
1	ADC Input 1	ADC Input 1+	26	-	
2	ADC Input 9	ADC Input 1-	27	DAC Output 1	
3	AGND		28	AGND	
4	ADC Input 10	ADC Input 2-	29	DAC Output 2	
5	ADC Input 2	ADC Input 2+	30	AGND	
6	AGND		31	DAC Output 3	
7	ADC Input 3	ADC Input 3+	32	AGND	
8	ADC Input 11	ADC Input 3-	33	DAC Output 4	
9	AGND		34	AGND	
10	ADC Input 12	ADC Input 4-	35	-	
11	ADC Input 4	ADC Input 4+	36	-	
12	AGND		37	-	
13	ADC Input 5	ADC Input 5+	38	-	
14	ADC Input 13	ADC Input 5-	39	-	
15	AGND		40	-	
16	ADC Input 14	ADC Input 6-	41	-	
17	ADC Input 6	ADC Input 6+	42	-	
18	AGND		43	-	
19	ADC Input 7	ADC Input 7+	44	GND	
20	ADC Input 15	ADC Input 7-	45	-12V	
21	AGND		46	GND	
22	ADC Input 16	ADC Input 8-	47	+12V	
23	ADC Input 8	ADC Input 8+	48	GND	
24	AGND		49	+5V	
25	-		50	AGND	

Figure 6-1 : Pin Assignment I/O Connector

7 Programming Notes

After power up the on board ADC device is in a random state and requires two dummy conversions before operating correctly. This is based on the chip design of the ADC device.

Software should ignore the data of the first two ADC conversions after power-up.

The software drivers from TEWS TECHNOLOGIES already include these two dummy conversions.

8 Installation Notes

Make sure that all unused analog input pins are tied to the AGND signal level (or any other valid signal level within the analog input voltage range). This is required even if the unused channels are turned off by software.

If unused analog inputs are left floating, they could badly degrade the performance of the active channels.



Artisan Technology Group is your source for quality new and certified-used/pre-owned equipment

- FAST SHIPPING AND DELIVERY
- TENS OF THOUSANDS OF IN-STOCK ITEMS
- EQUIPMENT DEMOS
- HUNDREDS OF MANUFACTURERS SUPPORTED
- LEASING/MONTHLY RENTALS
- ITAR CERTIFIED SECURE ASSET SOLUTIONS

SERVICE CENTER REPAIRS

Experienced engineers and technicians on staff at our full-service, in-house repair center

*InstraView*SM REMOTE INSPECTION

Remotely inspect equipment before purchasing with our interactive website at www.instraview.com ↗

WE BUY USED EQUIPMENT

Sell your excess, underutilized, and idle used equipment. We also offer credit for buy-backs and trade-ins. www.artisanng.com/WeBuyEquipment ↗

LOOKING FOR MORE INFORMATION?

Visit us on the web at www.artisanng.com ↗ for more information on price quotations, drivers, technical specifications, manuals, and documentation

Contact us: (888) 88-SOURCE | sales@artisanng.com | www.artisanng.com