



Artisan Technology Group is your source for quality new and certified-used/pre-owned equipment

- FAST SHIPPING AND DELIVERY
- TENS OF THOUSANDS OF IN-STOCK ITEMS
- EQUIPMENT DEMOS
- HUNDREDS OF MANUFACTURERS SUPPORTED
- LEASING/MONTHLY RENTALS
- ITAR CERTIFIED SECURE ASSET SOLUTIONS

SERVICE CENTER REPAIRS

Experienced engineers and technicians on staff at our full-service, in-house repair center

*InstraView*SM REMOTE INSPECTION

Remotely inspect equipment before purchasing with our interactive website at www.instraview.com ↗

WE BUY USED EQUIPMENT

Sell your excess, underutilized, and idle used equipment. We also offer credit for buy-backs and trade-ins. www.artisanng.com/WeBuyEquipment ↗

LOOKING FOR MORE INFORMATION?

Visit us on the web at www.artisanng.com ↗ for more information on price quotations, drivers, technical specifications, manuals, and documentation

Contact us: (888) 88-SOURCE | sales@artisanng.com | www.artisanng.com

Oriel Flanged Beam Splitter Holder



Rod mounted 78150 Beam Splitter Holder

- Holds a beam splitter at a 45 degree angle
- Rod mounted so you can vary the optical axis height
- Includes lens holders

The 78150 Beam Splitter Mount holds a 2 inch (51 mm) square beam splitter, up to 0.25 inch (6 mm) thick, at a 45° angle. Since it can be coupled directly to Oriel light sources, monochromators, and detectors via the 1.5 Inch Series flanges, it is a convenient device for splitting a beam in an enclosed optical system. The 78150 has two lens holders for 1.5 inch (38 mm) diameter lenses.

Mounting

You can mount the 78150 directly to other Oriel instruments via the 1.5 Inch Series flanges. This allows rotation of the 78150, so the split off beam can be directed anywhere in a circle perpendicular to the through beam. Two 1/4-20 tapped holes accept optical rods if you'd rather rod mount the device and vary the optical axis height.

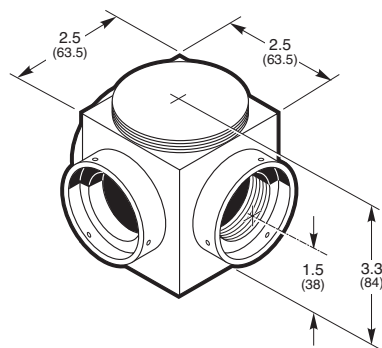


Fig. 1 Dimensional diagram of 78150 Oriel Flanged Beam Splitter Holder

Ordering Information

Model	Description
78150	Beam Splitter Holder
6195	1.5 Inch Lens Holder
78122	Double Male Coupling Ring



Artisan Technology Group is your source for quality new and certified-used/pre-owned equipment

- FAST SHIPPING AND DELIVERY
- TENS OF THOUSANDS OF IN-STOCK ITEMS
- EQUIPMENT DEMOS
- HUNDREDS OF MANUFACTURERS SUPPORTED
- LEASING/MONTHLY RENTALS
- ITAR CERTIFIED SECURE ASSET SOLUTIONS

SERVICE CENTER REPAIRS

Experienced engineers and technicians on staff at our full-service, in-house repair center

*InstraView*SM REMOTE INSPECTION

Remotely inspect equipment before purchasing with our interactive website at www.instraview.com ↗

WE BUY USED EQUIPMENT

Sell your excess, underutilized, and idle used equipment. We also offer credit for buy-backs and trade-ins. www.artisanng.com/WeBuyEquipment ↗

LOOKING FOR MORE INFORMATION?

Visit us on the web at www.artisanng.com ↗ for more information on price quotations, drivers, technical specifications, manuals, and documentation

Contact us: (888) 88-SOURCE | sales@artisanng.com | www.artisanng.com