



Artisan Technology Group is your source for quality new and certified-used/pre-owned equipment

- FAST SHIPPING AND DELIVERY
- TENS OF THOUSANDS OF IN-STOCK ITEMS
- EQUIPMENT DEMOS
- HUNDREDS OF MANUFACTURERS SUPPORTED
- LEASING/MONTHLY RENTALS
- ITAR CERTIFIED SECURE ASSET SOLUTIONS

SERVICE CENTER REPAIRS

Experienced engineers and technicians on staff at our full-service, in-house repair center

*InstraView*SM REMOTE INSPECTION

Remotely inspect equipment before purchasing with our interactive website at www.instraview.com ↗

WE BUY USED EQUIPMENT

Sell your excess, underutilized, and idle used equipment. We also offer credit for buy-backs and trade-ins. www.artisanng.com/WeBuyEquipment ↗

LOOKING FOR MORE INFORMATION?

Visit us on the web at www.artisanng.com ↗ for more information on price quotations, drivers, technical specifications, manuals, and documentation

Contact us: (888) 88-SOURCE | sales@artisanng.com | www.artisanng.com

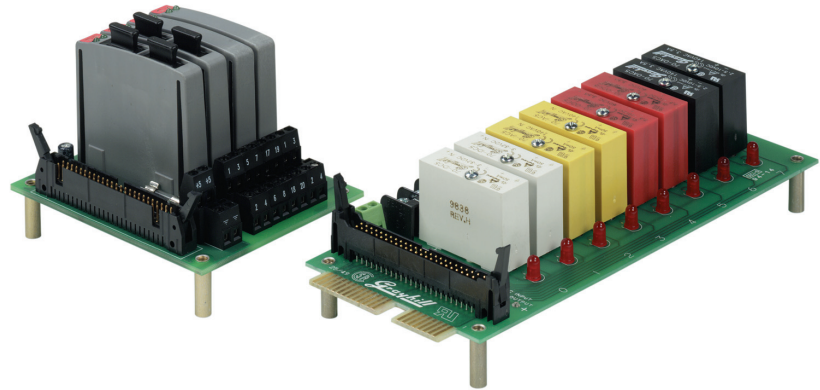
RACKS

8 Channel



FEATURES

- For use with System 50 Style Controllers
- Available for Standard Miniature and OpenLine® Modules
- Panel and DIN Rail Mount Versions
- UL, CSA Certified

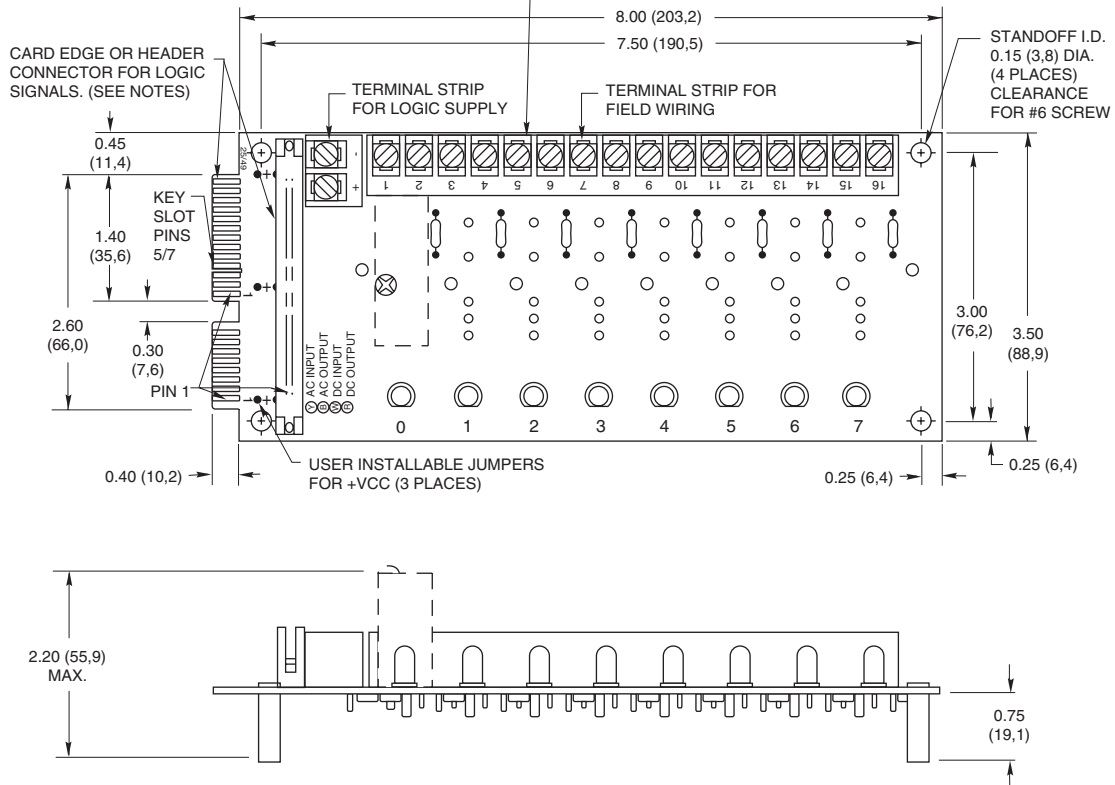


8 CHANNEL RACK: Standard

Part No. 70RCK8

Dimensions are shown in inches (and millimeters).
All tolerances are ± 0.010 (0,25) unless otherwise specified.

NOTE: MAXIMUM TERMINAL SCREW TORQUE NOT TO EXCEED 5 IN-LBS.

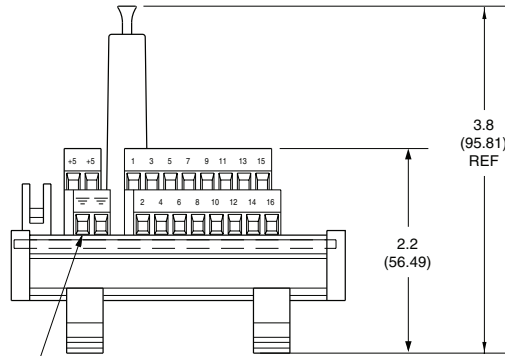
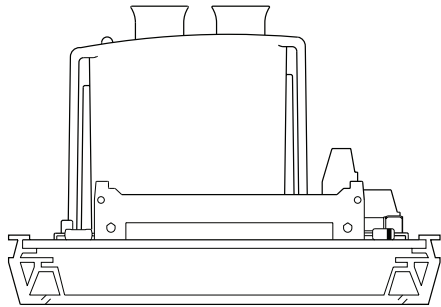
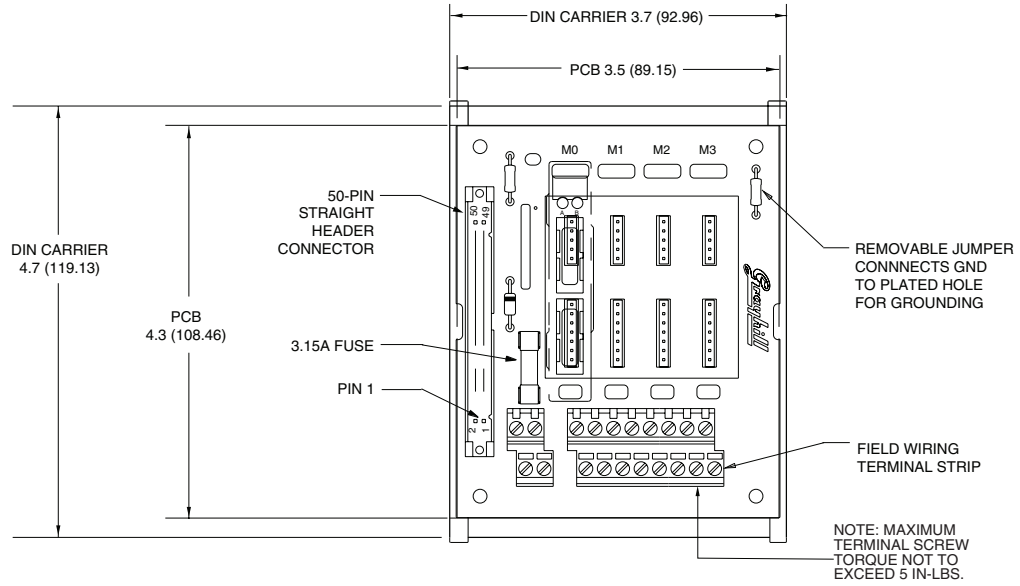


System 50

8 CHANNEL RACK: DIN Rail Mount

Part No. 70LRCK8-DIN

Dimensions are shown in inches (and millimeters).
 All tolerances are ± 0.010 (0,25) unless otherwise specified.

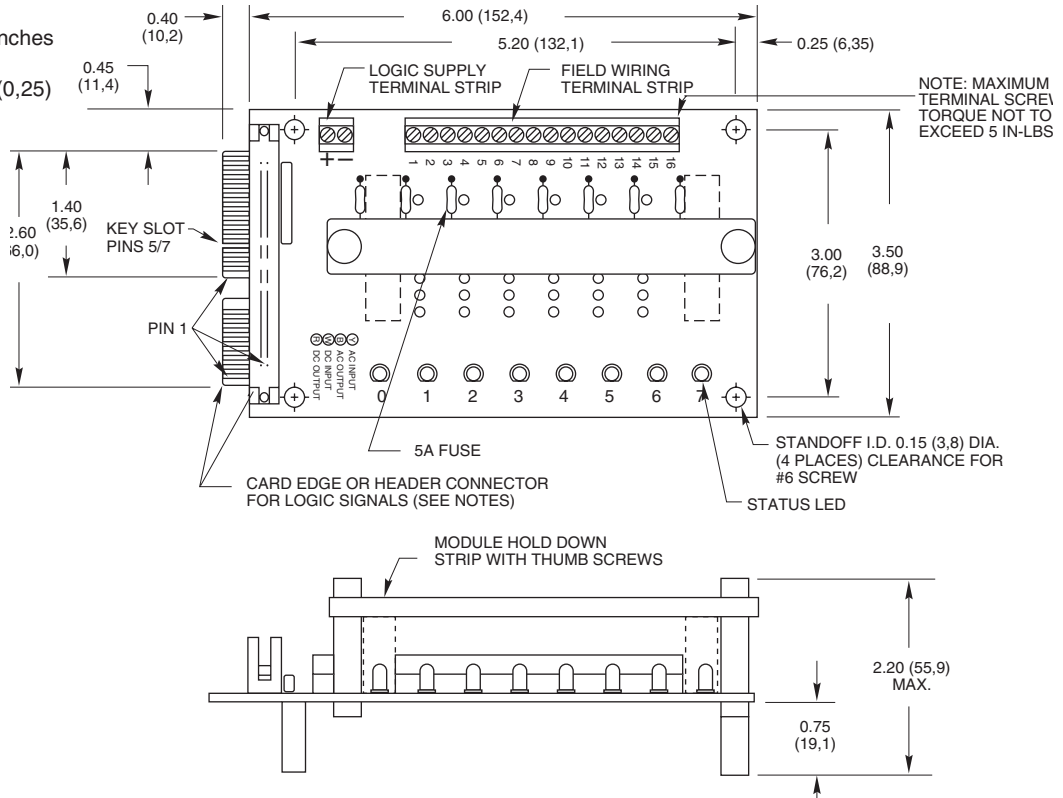


LOGIC SUPPLY TERMINAL STRIP
 TOP ROW: + LOGIC SUPPLY
 BOTTOM ROW: GND

8 CHANNEL RACK: Miniature

Part No. 70MRCK8

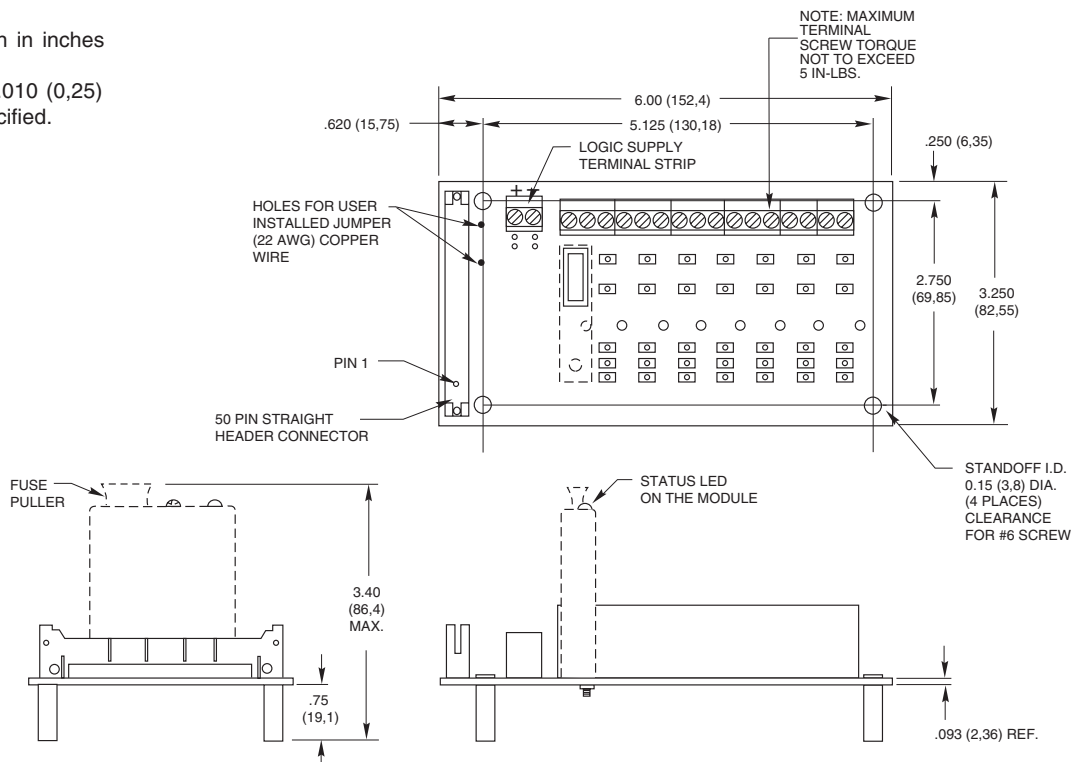
Dimensions are shown in inches (and millimeters).
All tolerances are ± 0.010 (0,25) unless otherwise specified.



8 CHANNEL RACK: G5

Part No. 70GRCK8

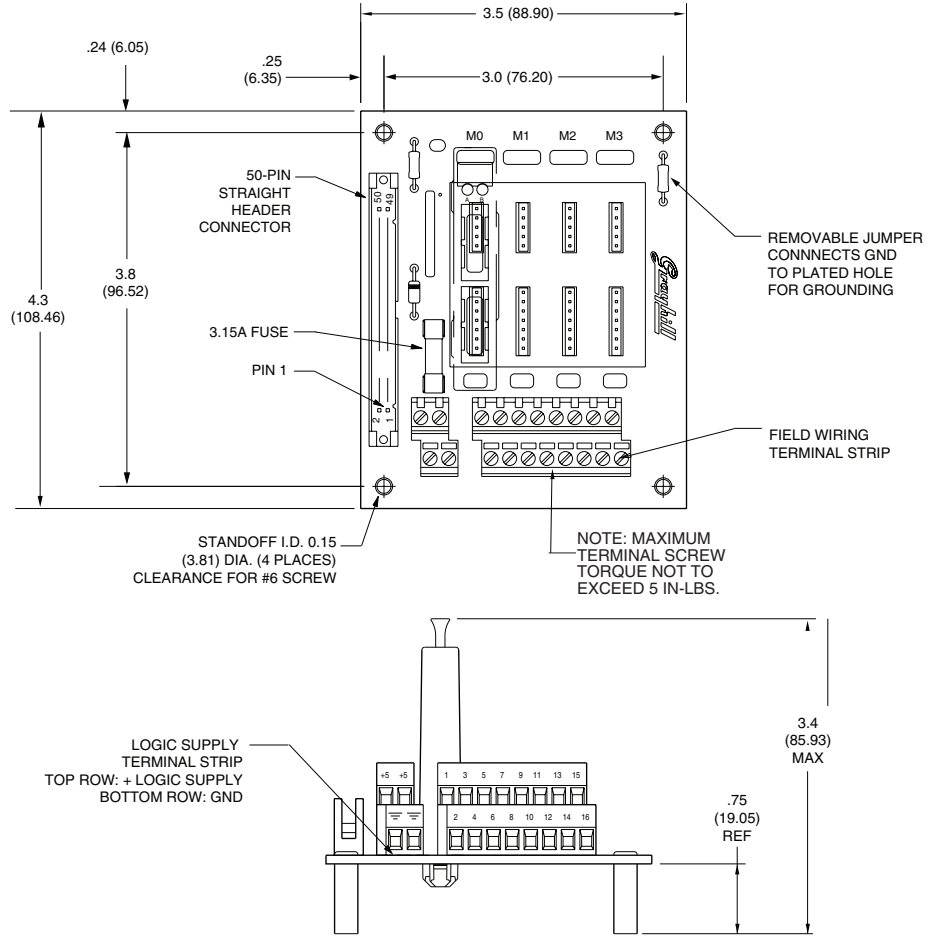
Dimensions are shown in inches (and millimeters).
All tolerances are ± 0.010 (0,25) unless otherwise specified.



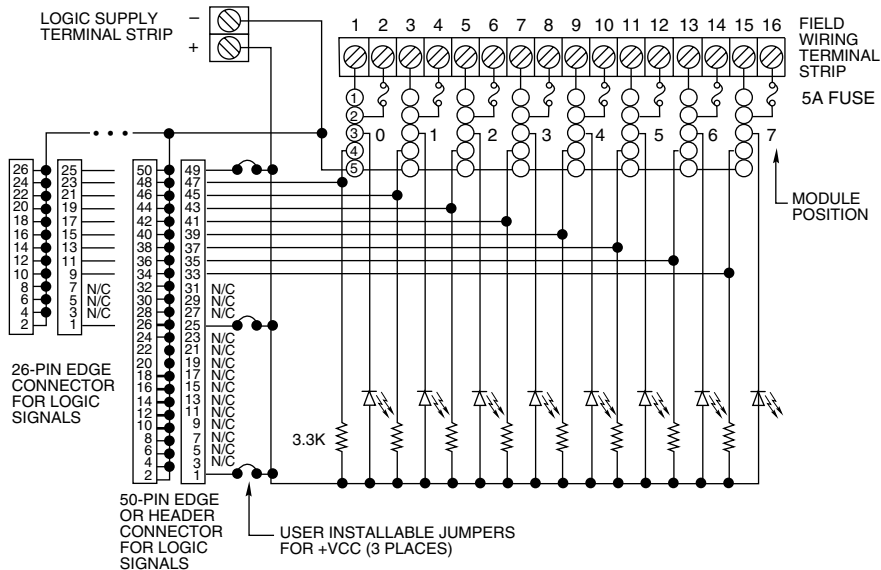
System 50

8 CHANNEL RACK: OpenLine® System 50

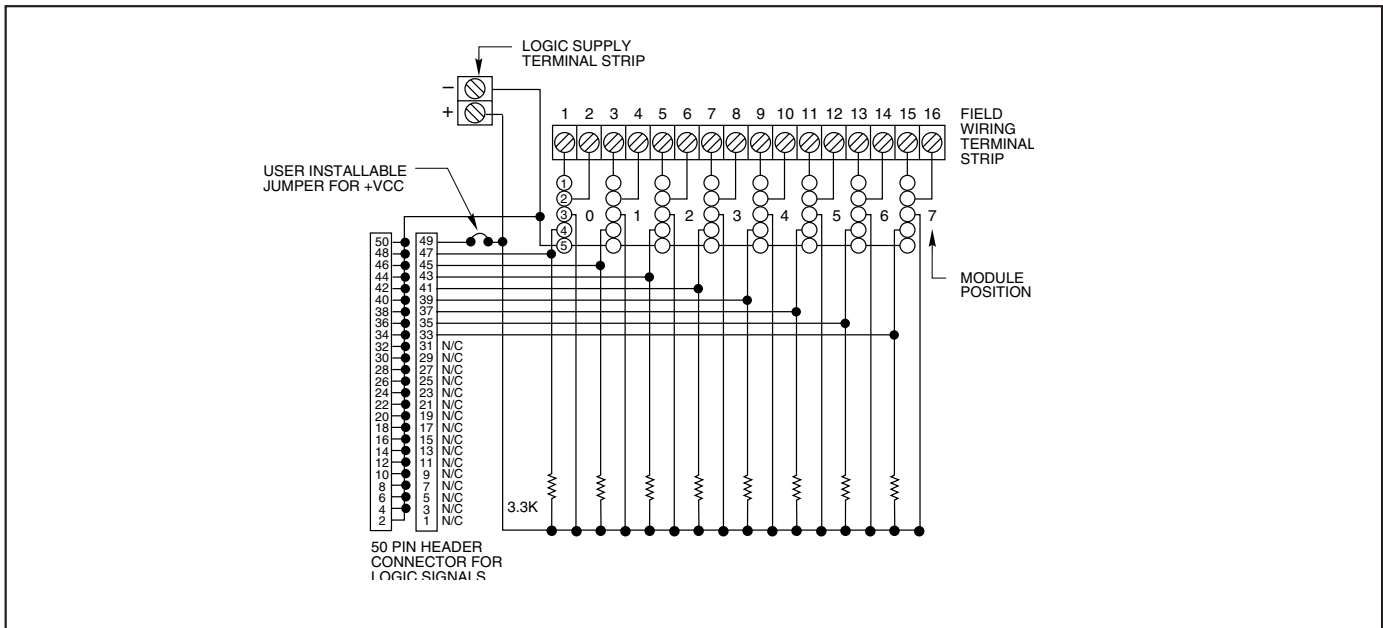
Part No. 70LRCK8
 Dimensions are shown in inches (and millimeters).
 All tolerances are ± 0.010 (0,25) unless otherwise specified.



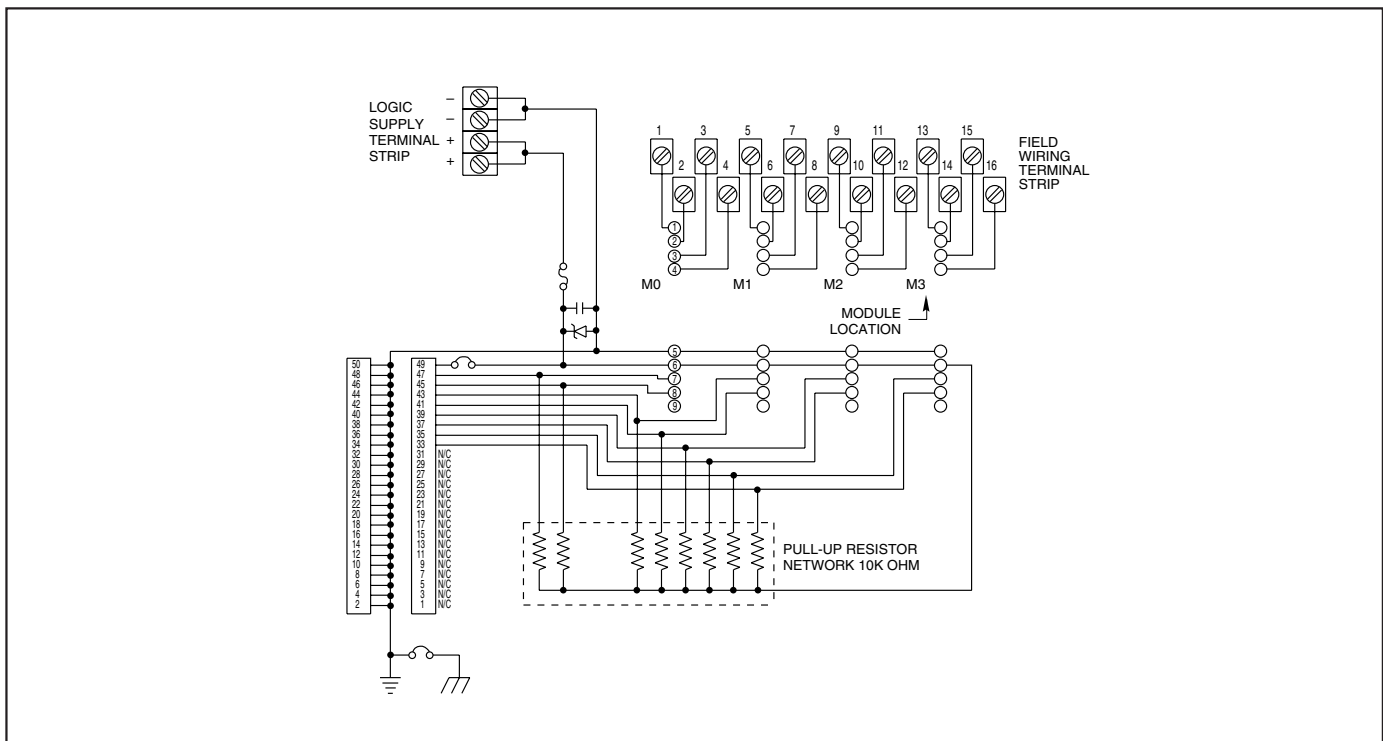
SCHEMATIC: Part Nos. 70RCK8, 70MRCK8



SCHEMATIC: Part No. 70GRCK8



SCHEMATIC: Part No. 70LRCK8



ORDERING INFORMATION (modules ordered separately)

Part Number	I/O	Description	UL	CSA	Style
70RCK8	8	Card edge	X	X	Standard
70RCK8-HL	8	50-pin header with ejector levers	X	X	Standard
70MRCK8-EC	8	Card edge	X	X	Mini
70MRCK8-HL	8	50-pin header with ejector levers	X	X	Mini
70GRCK8-HL	8	50-pin header with ejector levers	X	X	G5
70LRCK8-HL	8	50-pin header with ejector levers	Pend	Pend	OpenLine®
70LRCK8-DIN	8	50-pin header with DIN rail mount	Pend	Pend	OpenLine®

Available from your local Grayhill Distributor. For prices and discounts, contact a local Sales Office, an authorized local Distributor or Grayhill.



Artisan Technology Group is your source for quality new and certified-used/pre-owned equipment

- FAST SHIPPING AND DELIVERY
- TENS OF THOUSANDS OF IN-STOCK ITEMS
- EQUIPMENT DEMOS
- HUNDREDS OF MANUFACTURERS SUPPORTED
- LEASING/MONTHLY RENTALS
- ITAR CERTIFIED SECURE ASSET SOLUTIONS

SERVICE CENTER REPAIRS

Experienced engineers and technicians on staff at our full-service, in-house repair center

*InstraView*SM REMOTE INSPECTION

Remotely inspect equipment before purchasing with our interactive website at www.instraview.com ↗

WE BUY USED EQUIPMENT

Sell your excess, underutilized, and idle used equipment. We also offer credit for buy-backs and trade-ins. www.artisanng.com/WeBuyEquipment ↗

LOOKING FOR MORE INFORMATION?

Visit us on the web at www.artisanng.com ↗ for more information on price quotations, drivers, technical specifications, manuals, and documentation

Contact us: (888) 88-SOURCE | sales@artisanng.com | www.artisanng.com