



Artisan Technology Group is your source for quality new and certified-used/pre-owned equipment

- FAST SHIPPING AND DELIVERY
- TENS OF THOUSANDS OF IN-STOCK ITEMS
- EQUIPMENT DEMOS
- HUNDREDS OF MANUFACTURERS SUPPORTED
- LEASING/MONTHLY RENTALS
- ITAR CERTIFIED SECURE ASSET SOLUTIONS

SERVICE CENTER REPAIRS

Experienced engineers and technicians on staff at our full-service, in-house repair center

*InstraView*SM REMOTE INSPECTION

Remotely inspect equipment before purchasing with our interactive website at www.instraview.com ↗

WE BUY USED EQUIPMENT

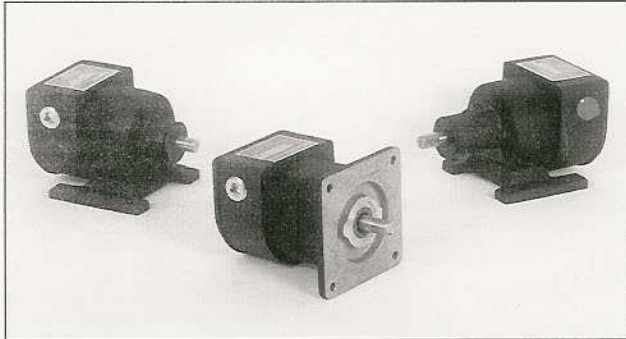
Sell your excess, underutilized, and idle used equipment. We also offer credit for buy-backs and trade-ins. www.artisanng.com/WeBuyEquipment ↗

LOOKING FOR MORE INFORMATION?

Visit us on the web at www.artisanng.com ↗ for more information on price quotations, drivers, technical specifications, manuals, and documentation

Contact us: (888) 88-SOURCE | sales@artisanng.com | www.artisanng.com

HOUSINGS



2100, 4100 & 8100 Series Zero Speed Switches are designed for service in industrial applications requiring protection against dust, rain and hose-directed water. The housings are painted with an Epoxy based powder coat to provide rust and corrosion resistance.

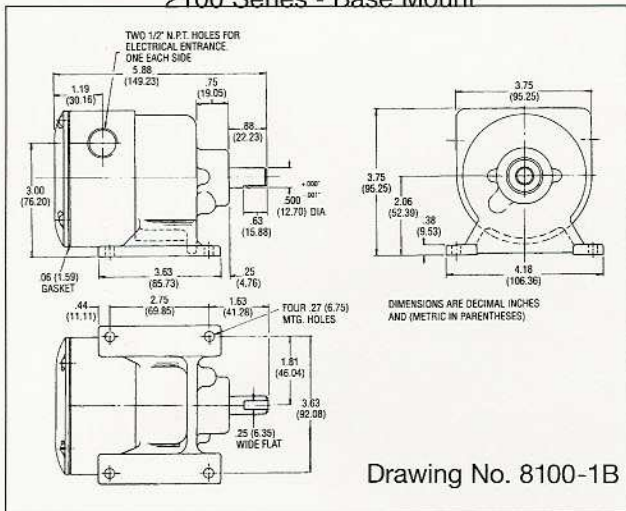
NEMA 4/4X

Approximate shipping weight:
 Aluminum Housing 4 lbs.
 Cast Iron Housing (CI) 8 lbs.

CONTACTS ACTUATE IN EITHER DIRECTION OF SHAFT ROTATION.

Descriptive data bulletins and certified dimension drawings on individual models are available on request.

2100 Series - Base Mount



2100 SERIES

For shaft input speeds 4 to 2000 RPM. Recommended method of driving is by split or flexible coupling.

Application Running Speed R.P.M. (input to Speed Switch)	Approximate Contact Operating Speeds - RPM		Mounting Styles					
	Approximate Trip-Point On Shaft Input Speed Acceleration	Approximate Drop-Out Point On Shaft Speed Loss		Contacts				
		Slow Loss	Rapid Loss	S.P.D.T.	D.P.D.T.	S.P.D.T.(2) Direction Indicating		
Min.	Max.			Model Number				
24	2000	14-19	10	0	2120	2122	2130	NOT FIELD ADJUSTABLE
15	200	8-11	Approx. 2 Sec. After Shaft Rotation Failure		2120-1	2122-1	2130-1	
8	100	5-7	Approx. 3 Sec. After Shaft Rotation Failure		2120-5	2122-5	2130-5	
4	50	2-3	Approx. 5 Sec. After Shaft Rotation Failure		2120-10	2122-10	2130-10	
30	2000	25 to 70	30-40% Below Trip Point	0	2120-A1	2122-A1	2130-A1	FIELD ADJUSTABLE
75	2000	60 to 140	30-40% Below Trip Point	0	2120-A2	2122-A2	2130-A2	
150	2000	125 to 450	30-40% Below Trip Point	0	2120-A3	2122-A3	2130-A3	
240	2000	200 to 600	30-40% Below Trip Point	0	2120-A4	2122-A4	2130-A4	
15	200	10 to 45	30-40% Below Trip Point	0	2120-A11	2122-A11	2130-A11	
7	100	5 to 15	30-40% Below Trip Point	0	2120-A15	2122-A15	2130-A15	

Drive shaft and switch shaft must be properly aligned and concentric.

Driving torque required is approximately 4 inch ounces.

2100 Series Zero Speed Switches are available in aluminum, cast iron and explosion proof housings. Please consult the applications sheet for ordering information.

If a specific model is not listed to fit your needs, Control Concepts, Inc. can custom design a Zero Speed Switch to your specifications.

ZERO SPEED SWITCHES

ZERO SPEED SWITCHES

DESCRIPTIVE DATA

4100 SERIES

Designed for V-belt or roller chain and sprocket drives.

Application Running Speed R.P.M. (input to Speed Switch)		Approximate Contact Operating Speeds - RPM			Mounting Styles			
					Type B - see Base Mount (see drawing 4100 1B)			
Min.	Max.	Approximate Trip-Point On Shaft Input Speed Acceleration	Approximate Drop-Out Point On Shaft Speed Loss		Contacts			
			Slow Loss	Rapid Loss	S.P.D.T.	D.P.D.T.	S.P.D.T.(2) Direction Indicating	
								Model Number
24	1800	14-19	10	0	4120	4122	4130	
15	200	8-11	Approx. 2 Sec. After Shaft Rotation Failure		4120-1	4122-1	4130-1	
8	100	5-7	Approx. 3 Sec. After Shaft Rotation Failure		4120-5	4122-5	4130-5	
4	50	2-3	Approx. 5 Sec. After Shaft Rotation Failure		4120-10	4122-10	4130-10	
30	1800	25 to 70	30-40% Below Trip Point	0	4120-A1	4122-A1	4130-A1	FIELD ADJUSTABLE
75	1800	80 to 140	30-40% Below Trip Point	0	4120-A2	4122-A2	4130-A2	
160	1800	130 to 300	30-40% Below Trip Point	0	4120-A3	4122-A3	4130-A3	
240	1800	200 to 600	30-40% Below Trip Point	0	4120-A4	4122-A4	4130-A4	
15	200	10 to 45	30-40% Below Trip Point	0	4120-A11	4122-A11	4130-A11	
7	100	5 to 15	30-40% Below Trip Point	0	4120-A15	4122-A15	4130-A15	

Driving torque required is approximately 4 inch ounces.

Install with loose belt or chain to avoid excessive overhung load.

8100 SERIES

Internally geared for slow speed applications. (0.5 to 25 RPM.)

Application Running Speed R.P.M. (input to Speed Switch)		Approximate Contact Operating Speeds - RPM			Mounting Styles			
					Type B - see Base Mount (see drawing 8100 1B) Type F - Flange Mount (see drawing 8100 2BFK) Type FK - Flange mount with pilot (see drawing 8100 2BFK)			
Min.	Max.	Approximate Trip-Point On Shaft Input Speed Acceleration	Approximate Drop-Out Point On Shaft Speed Loss		Contacts			
			Slow Loss	Rapid Loss	S.P.D.T.	D.P.D.T.	S.P.D.T.(2) Direction Indicating	
								Model Number
1.5	5	1.5	0.5	0	8121-s	81212-s	8131-s	
0.5	2.5	0.5	Approx. 4 Sec. After Shaft Rotation Failure		8121-5s	81212-5s	8131-5s	
2	25	1.5	Approx. 3-5 Sec. After Shaft Rotation Failure		Cl8122-5S	Cl81222-5s	Cl8132-5s	

2100 & 8100 Series Explosion Proof Zero Speed Switches (pictured below) are available Factory Mutual Approved EP-1.

Explosion Proof for Class I, Division 1, Groups C and D; and as Dust-Ignition Proof for Class II, Division 1, Groups E, F and G hazardous locations, indoors.

Explosion Proof housing is constructed of high strength cast aluminum alloy.

NEMA7&9.



EP-1

CONTROL CONCEPTS INC.

P.O. BOX 386

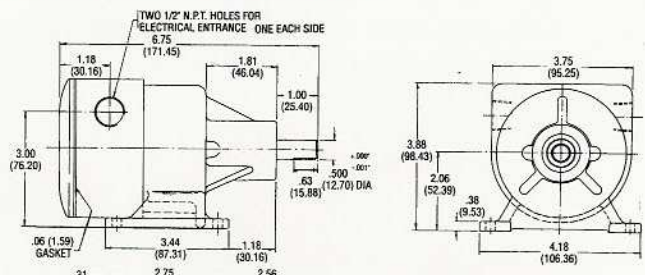
PUTNAM, CONNECTICUT 06260

860-928-6551 • 800-745-6551 • FAX 860-928-9450

ZERO SPEED SWITCHES

HOUSING DIMENSIONS

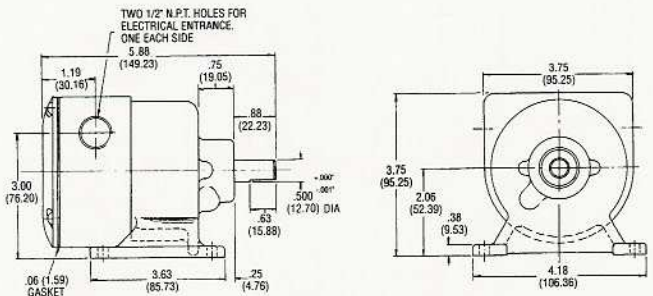
4100 SERIES – BASE MOUNT



DIMENSIONS ARE DECIMAL INCHES AND (METRIC IN PARENTHESES)

Drawing No. 4100 - 1B

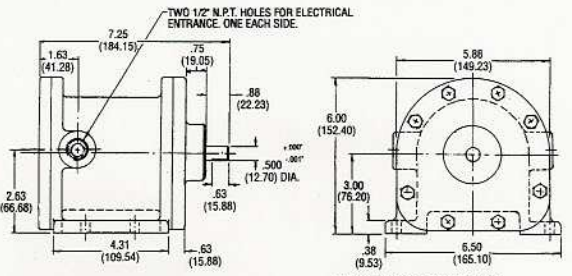
2100 AND 8100 SERIES – BASE MOUNT



DIMENSIONS ARE DECIMAL INCHES AND (METRIC IN PARENTHESES)

Drawing No. 8100 - 1B

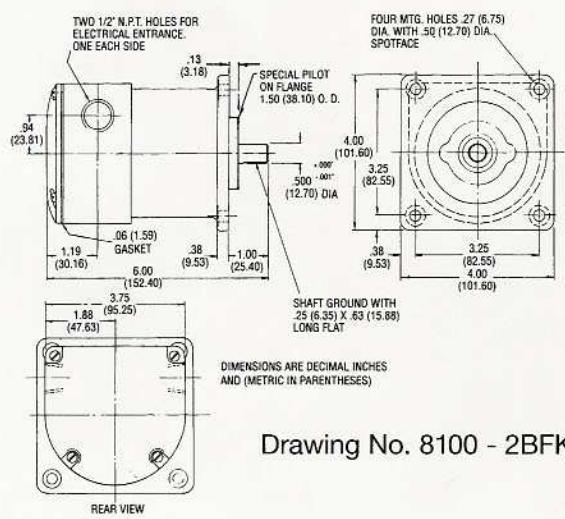
2100 AND 8100 SERIES – EXPLOSION PROOF



DIMENSIONS ARE DECIMAL INCHES AND (METRIC IN PARENTHESES)

Drawing No. EP-1

2100 AND 8100 SERIES – FLANGE MOUNT w/PILOT



DIMENSIONS ARE DECIMAL INCHES AND (METRIC IN PARENTHESES)

Drawing No. 8100 - 2BFK

REAR VIEW





Artisan Technology Group is your source for quality new and certified-used/pre-owned equipment

- FAST SHIPPING AND DELIVERY
- TENS OF THOUSANDS OF IN-STOCK ITEMS
- EQUIPMENT DEMOS
- HUNDREDS OF MANUFACTURERS SUPPORTED
- LEASING/MONTHLY RENTALS
- ITAR CERTIFIED SECURE ASSET SOLUTIONS

SERVICE CENTER REPAIRS

Experienced engineers and technicians on staff at our full-service, in-house repair center

*InstraView*SM REMOTE INSPECTION

Remotely inspect equipment before purchasing with our interactive website at www.instraview.com ↗

WE BUY USED EQUIPMENT

Sell your excess, underutilized, and idle used equipment. We also offer credit for buy-backs and trade-ins. www.artisanng.com/WeBuyEquipment ↗

LOOKING FOR MORE INFORMATION?

Visit us on the web at www.artisanng.com ↗ for more information on price quotations, drivers, technical specifications, manuals, and documentation

Contact us: (888) 88-SOURCE | sales@artisanng.com | www.artisanng.com