



Artisan Technology Group is your source for quality new and certified-used/pre-owned equipment

- FAST SHIPPING AND DELIVERY
- TENS OF THOUSANDS OF IN-STOCK ITEMS
- EQUIPMENT DEMOS
- HUNDREDS OF MANUFACTURERS SUPPORTED
- LEASING/MONTHLY RENTALS
- ITAR CERTIFIED SECURE ASSET SOLUTIONS

SERVICE CENTER REPAIRS

Experienced engineers and technicians on staff at our full-service, in-house repair center

*InstraView*SM REMOTE INSPECTION

Remotely inspect equipment before purchasing with our interactive website at www.instraview.com ↗

WE BUY USED EQUIPMENT

Sell your excess, underutilized, and idle used equipment. We also offer credit for buy-backs and trade-ins. www.artisanng.com/WeBuyEquipment ↗

LOOKING FOR MORE INFORMATION?

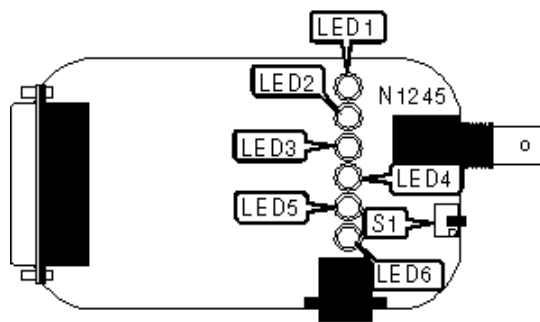
Visit us on the web at www.artisanng.com ↗ for more information on price quotations, drivers, technical specifications, manuals, and documentation

Contact us: (888) 88-SOURCE | sales@artisanng.com | www.artisanng.com

GVC TECHNOLOGIES

PE-002BT

NIC Type	Ethernet
Transfer Rate	10Mbps
Data Bus	Parallel
Topology	Linear Bus/Star
Wiring Type	Unshielded twisted pair RG-58A/U 50ohm coaxial
Boot ROM	Not available



CABLE TYPE SELECTION	
Cable Type	S1
Unshielded twisted pair	Position 1
RG-58A/U 50ohm coaxial	Position 2

DIAGNOSTIC LED(S)			
LED	Color	Status	Condition
LED1	Green	On	10Base-T polarity reversed

LED1	Green	Off	10Base-T polarity normal
LED2	Green	On	10Base-T network connection is good
LED2	Green	Off	10Base-T network connection is broken
LED3	Amber	On	Network collision detected
LED3	Amber	Off	Network collision not detected
LED4	Green	Blinking	Data is being received
LED4	Green	Off	Data is not being received
LED5	Green	Blinking	Data is being transmitted
LED5	Green	Off	Data is not being transmitted
LED6	Green	On	Power is on
LED6	Green	Off	Power is off



Artisan Technology Group is your source for quality new and certified-used/pre-owned equipment

- FAST SHIPPING AND DELIVERY
- TENS OF THOUSANDS OF IN-STOCK ITEMS
- EQUIPMENT DEMOS
- HUNDREDS OF MANUFACTURERS SUPPORTED
- LEASING/MONTHLY RENTALS
- ITAR CERTIFIED SECURE ASSET SOLUTIONS

SERVICE CENTER REPAIRS

Experienced engineers and technicians on staff at our full-service, in-house repair center

*InstraView*SM REMOTE INSPECTION

Remotely inspect equipment before purchasing with our interactive website at www.instraview.com ↗

WE BUY USED EQUIPMENT

Sell your excess, underutilized, and idle used equipment. We also offer credit for buy-backs and trade-ins. www.artisanng.com/WeBuyEquipment ↗

LOOKING FOR MORE INFORMATION?

Visit us on the web at www.artisanng.com ↗ for more information on price quotations, drivers, technical specifications, manuals, and documentation

Contact us: (888) 88-SOURCE | sales@artisanng.com | www.artisanng.com