



Artisan Technology Group is your source for quality new and certified-used/pre-owned equipment

- FAST SHIPPING AND DELIVERY
- TENS OF THOUSANDS OF IN-STOCK ITEMS
- EQUIPMENT DEMOS
- HUNDREDS OF MANUFACTURERS SUPPORTED
- LEASING/MONTHLY RENTALS
- ITAR CERTIFIED SECURE ASSET SOLUTIONS

SERVICE CENTER REPAIRS

Experienced engineers and technicians on staff at our full-service, in-house repair center

*InstraView*SM REMOTE INSPECTION

Remotely inspect equipment before purchasing with our interactive website at www.instraview.com ↗

WE BUY USED EQUIPMENT

Sell your excess, underutilized, and idle used equipment. We also offer credit for buy-backs and trade-ins. www.artisanng.com/WeBuyEquipment ↗

LOOKING FOR MORE INFORMATION?

Visit us on the web at www.artisanng.com ↗ for more information on price quotations, drivers, technical specifications, manuals, and documentation

Contact us: (888) 88-SOURCE | sales@artisanng.com | www.artisanng.com

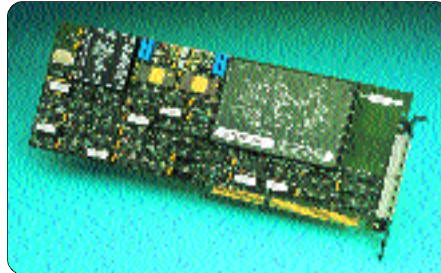
ISA Hardware

DT2821 Series

Analog and Digital I/O

The DT2821 Series is a family of high-speed, dual-channel DMA data acquisition boards for PC AT compatibles. By using two DMA channels, these boards provide continuous performance (gap-free) data transfers at the full throughput capability of the board—up to 250 kS/s. Each board provides two high-speed de-glitched analog outputs, eight digital inputs, and eight digital outputs. The channel gain list allows you to sample channels in non-sequential order or with different gains. Comprehensive software support allows the DT2821 Series to be programmed using a variety of languages and application packages.

- Dual-DMA design allows high-speed continuous performance (no lost samples)
- Choose from 12- or 16-bit A/D or D/A resolution, high or low-level (20 mV full-scale) gain, A/D throughputs to 250 kS/s, or optional SSH for simultaneous sampling of up to eight inputs
- Analog input circuitry is housed in a cold-rolled steel module, and is powered from an onboard DC/DC converter to ensure accuracy
- Two de-glitched, independent analog outputs are provided with up to 130 kS/s throughputs and a resolution of up to 16 bits (depending on version)
- Sample input channels in any sequence, at any gain, at full throughput



Summary

A/D: 12- or 16-bits; 30 to 250 kS/s throughput; gains to 500; SSH available

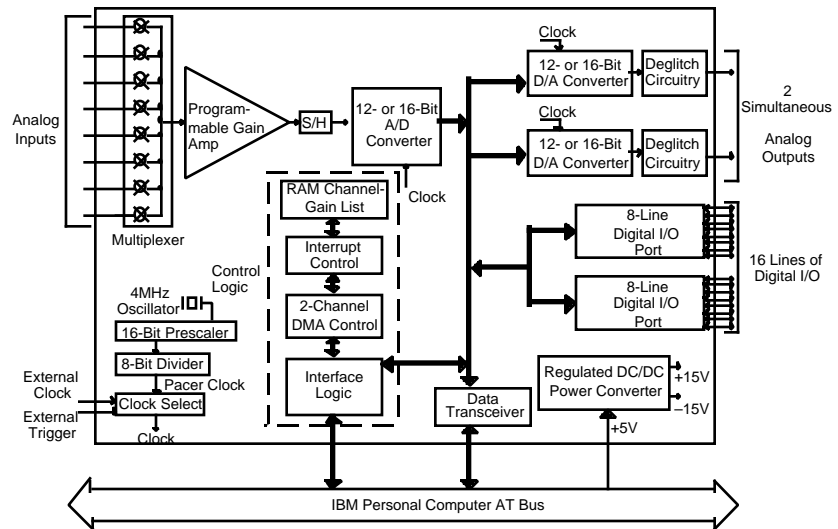
D/A*: 2 deglitched DACs; 12- or 16-bits; 100 to 130 kS/s throughput per DAC

Digital I/O: 16 lines

Clocks: One programmable clock

Interface: Dual-channel DMA or programmed I/O; line interrupt

*DT2824-PGH and DT2824-PGL have no analog output.



M-0131

Analog Outputs

	DACs	Resolution (bits)	Throughput (kHz)	Ranges (V @ ± 5 mA min)	Settling Time (µs)	Error (% of FSR)	Drift (ppm of FSR/°C)
DT2821*	2, deglitched	12 (.024% FSR)	130/DAC	0-5, 10 ± 2.5, 5, 10	5	± .012	± 10, Zero ± 30, Gain
DT2823, DT2829	2, deglitched	16 (.0015% FSR)	100/DAC	±10	10	± .0023	± 10, Zero ± 30, Gain

* All DT2821 versions, including the DT2825, DT2827, and the DT2828

Analog Inputs

	Resolution (bits)	Throughput (kS/s)	Input Channels	Gain	Ranges (V)	System Error (% of FSR)	Conversion Time (μ s)	CMRR (dB @ 60 Hz)	S/H Aperture Uncertainty (ns)	Max. Input Volt. Protection (On/Off)
DT2821	12 (.024% FSR)	50	16SE/8DI*	1,2,4,8	0-1.25, 2.5, 5, 10 \pm 1.25, 2.5, 5, 10	\pm .03, G=1 \pm .05, G=8	10	80	10	\pm 35/ \pm 20
DT2824-PGH	12 (.024% FSR)	50	16SE/8DI*	1,2,4,8	0-1.25, 2.5, 5, 10 \pm 1.25, 2.5, 5, 10	\pm .03, G=1 \pm .05, G=8	10	80	10	\pm 35/ \pm 20
DT2824-PGL	12 (.024% FSR)	50, G 10 3.8, G 100	16SE/8DI*	1,10,100,500	0-.02, .1, 1, 10 \pm .02, .1, 1, 10	\pm .03, G=1 \pm .10, G=500	10	80	10	\pm 35/ \pm 20
DT2821-F-16SE DT2821-F-8DI	12 (.024% FSR)	150	16SE 8DI	1,2,4,8	0-1.25, 2.5, 5, 10 \pm 1.25, 2.5, 5, 10	.03, G=1 .07, G=8	4	— 80	.5	\pm 27/ \pm 12
DT2821-G-16SE DT2821-G-8DI	12 (.024% FSR)	250	16SE 8DI	1,2,4,8	0-1.25, 2.5, 5, 10 \pm .625, 1.25, 2.5, 5, 10	.03, G=1 .07, G=8	2.5	— 80	.2	\pm 16/ \pm 1
DT2823	16 (.0015% FSR)	100	4DI	1	\pm 10	\pm .003	6	80	.2	\pm 27/ \pm 12
DT2825	12 (.024% FSR)	50, G 10 2.5, G 100	16SE/8DI*	1,10,100,500	0-.02, .1, 1, 10 \pm .02, .1, 1, 10	\pm .03, G=1 \pm .10, G=500	10	80	10	\pm 35/ \pm 20
DT2827	16 (.0015% FSR)	100	4DI	1	\pm 10	\pm .003	6	80	.2	\pm 27/ \pm 12
DT2828	12 (.024% FSR)	100	4SE, SS&H	1	0-10 \pm 10	\pm .04	4	—	\pm 5	\pm 31/ \pm 16
DT2829	16 (.0015% FSR)	30	8SE, SS&H	1	\pm 10	\pm .006	30	—	5	\pm 18/ \pm 18

* With multiple DT727 panels, up to 256SE/128DI.

Specifications

All specifications are typical at 25° C and rated voltage, unless otherwise specified.



DIGITAL I/O

Number of Lines
16, organized as two
8-line ports that can
be set for input or
output
Fanout
30 LSTTL loads
Input Load
1 LSTTL load

PACER CLOCK

Function
Pacer clock initiates
A/D or D/A conver-
sions; clock is started
by software trigger or
external trigger.

Usable Range
From 4 μ s (250kS/s)
to 2 s (.5 Hz)
Description
Pacer clock consists
of a 4.00 MHz
oscillator (.25 μ s
increments), a
prescaler (divides
oscillator by powers
of two from 20 to
215), and an 8-bit
divider (divides
output of prescaler
by integers from
1 to 255).

OPERATING MODES

A/D
Channel/Gain
Selection—
16-location channel-
gain list
Operation—single
conversion; single
scan (once through
channel-gain list);
continuous scan
(continuous through
channel-gain list)
Data Transfer—pro-
grammed I/O; dual-
channel (Continuous
Performance) DMA

D/A

Channel Selection—
either channel singly
or both channels
simultaneously
Data Transfer—pro-
grammed I/O; dual-
channel (Continuous
Performance) DMA

GENERAL

Interface
IBM PC AT bus or
EISA Bus; I/O
mapped, 10-bit I/O
address; 16-bit data
path; one or two
DMA channels

Interrupt—one line,
jumper-selected
level; source: A/D,
D/A error; A/D done;
D/A ready; A/D scan
done; A/D, D/A
DMA done
Power Requirements
+5 V @ 2.4 A typical;
low-noise \pm 15 V
generated by onboard
DC/DC converter
Physical/
Environmental
Dimensions—full-
size PC AT board
mechanically

compatible
with ISA system
slots only;
12.07 x 33.66 x 1.9
(4.75 in. x 13.25 in. x
.5 in.); 12.86 x 34.29
x 1.91 (5.06 in. x
13.5 in. x .75 in.)
including bracket
Temperature—
operating: 0 to 70° C;
storage: -25 to 70° C
Relative Humidity—
to 95%,
non-condensing

Ordering Summary

All Data Translation products are covered by a 1-year warranty.
For pricing information, see a current price list, visit our web site,
or contact your local reseller.

DT2821 Series boards ship with a DT-Open Layers
device driver for Windows 95/98, example programs,
diagnostics, and a comprehensive user manual.

- DT2821-50 kS/s, 12-bit A/D, PGH
- DT2824-PGH-High-level, A/D only
- DT2824-PGL-Low-level, A/D only
- DT2821-F-16SE-16 SE, 150 kS/s, A/D
- DT2821-F-8DI-8 DI, 150 kS/s, A/D
- DT2821-G-16SE-16 SE, 250 kS/s, A/D
- DT2821-G-8DI-8 DI, 250 kS/s, A/D
- DT2823-16-bit, A/D; 16-bit D/A
- DT2825-Low-level, A/D
- DT2827-16-bit, A/D; 12-bit D/A
- DT2828-SSH, 12-bit, 100 kS/s A/D

- DT2829-SSH, A/D; 16-bit D/A

Accessories

- DT707-Screw terminal panel and cable
- STEP-EZ (DT780)-Screw terminal panel and cable
- DT707-T-Panel and cable for thermocouples
- STEP-EZ-T (DT780-T)-Panel and cable for thermocouples
- DT707A-Panel and cable
- DT707A-T-Panel and cable for thermocouples
- DT727-Channel expansion panel and cable
- DT727-T-Thermocouple channel expansion panel and cable

Software

The following products include a copy of the software,
a single-user license, and a user manual. All software
is supplied on CD-ROM, except as noted.

- HP VEE with DT VPI visual programming software
Version 5.0 for Windows 95/98
SP1950-CD
- HP VEE Lab with DT VPI visual programming software
version 5.0 for Windows 95/98
SP1950-LAB
- TestPoint software for designing test, measurement
and D/A applications for Windows 95/98
SPTPX-CD (see page 32 for details)
- DTx-EZ visual programming tools for Visual Basic
and Visual C++ for Windows 95/98
SP0970-CD
- DataAcq SDK Software Development Kit for
Windows 95/98
SP0945-CD
- DT-LV Link data acquisition connection to LabVIEW for
Windows 95/98, on 3.5 in. 1.4 MB disk
SP0810-CL

© Copyright 2000 Data Translation, Inc. All rights reserved. All trademarks are the property of their respective holders. Prices, specifications, and availability are subject to change without notice.

Data Translation, Inc. Email Info@datx.com For a full listing of Data Translation Distributors and System Integrators, see the inside back cover. 135

Artisan Technology Group - Quality Instrumentation ... Guaranteed | (888) 88-SOURCE | www.artisanqt.com



Artisan Technology Group is your source for quality new and certified-used/pre-owned equipment

- FAST SHIPPING AND DELIVERY
- TENS OF THOUSANDS OF IN-STOCK ITEMS
- EQUIPMENT DEMOS
- HUNDREDS OF MANUFACTURERS SUPPORTED
- LEASING/MONTHLY RENTALS
- ITAR CERTIFIED SECURE ASSET SOLUTIONS

SERVICE CENTER REPAIRS

Experienced engineers and technicians on staff at our full-service, in-house repair center

*InstraView*SM REMOTE INSPECTION

Remotely inspect equipment before purchasing with our interactive website at www.instraview.com ↗

WE BUY USED EQUIPMENT

Sell your excess, underutilized, and idle used equipment. We also offer credit for buy-backs and trade-ins. www.artisanng.com/WeBuyEquipment ↗

LOOKING FOR MORE INFORMATION?

Visit us on the web at www.artisanng.com ↗ for more information on price quotations, drivers, technical specifications, manuals, and documentation

Contact us: (888) 88-SOURCE | sales@artisanng.com | www.artisanng.com