



Artisan Technology Group is your source for quality new and certified-used/pre-owned equipment

- FAST SHIPPING AND DELIVERY
- TENS OF THOUSANDS OF IN-STOCK ITEMS
- EQUIPMENT DEMOS
- HUNDREDS OF MANUFACTURERS SUPPORTED
- LEASING/MONTHLY RENTALS
- ITAR CERTIFIED SECURE ASSET SOLUTIONS

SERVICE CENTER REPAIRS

Experienced engineers and technicians on staff at our full-service, in-house repair center

*InstraView*SM REMOTE INSPECTION

Remotely inspect equipment before purchasing with our interactive website at www.instraview.com ↗

WE BUY USED EQUIPMENT

Sell your excess, underutilized, and idle used equipment. We also offer credit for buy-backs and trade-ins. www.artisanng.com/WeBuyEquipment ↗

LOOKING FOR MORE INFORMATION?

Visit us on the web at www.artisanng.com ↗ for more information on price quotations, drivers, technical specifications, manuals, and documentation

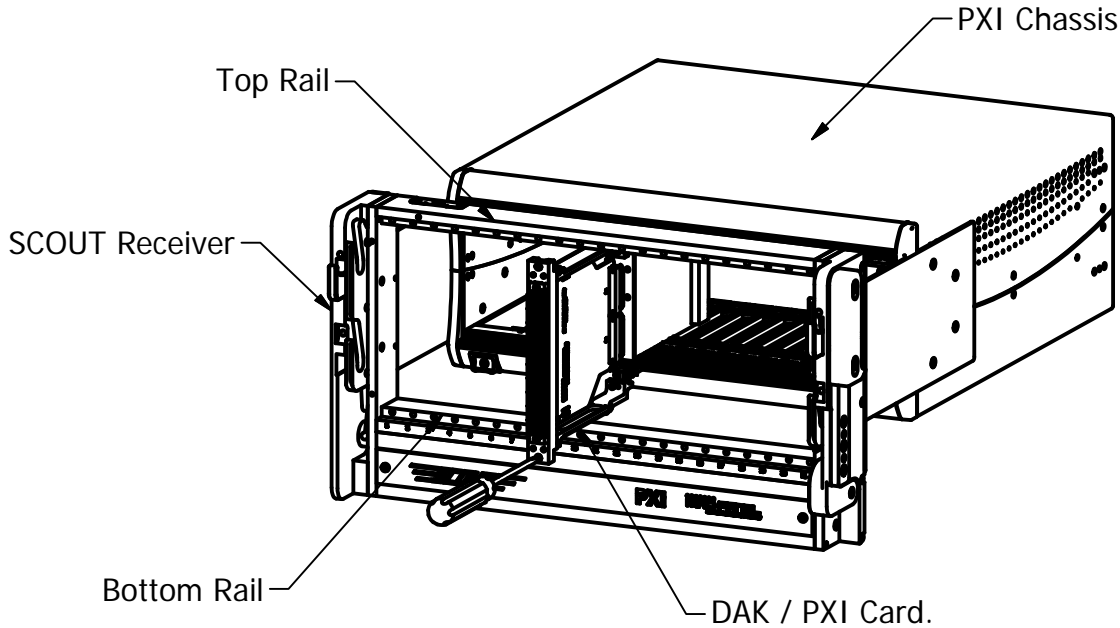
Contact us: (888) 88-SOURCE | sales@artisanng.com | www.artisanng.com

Procedure for installing and removing MACPanel DAK.

** Failure to follow these procedures will result in damage to either the DAK screws or Receiver frame and add stresses to the DAK / PXI Card assembly **

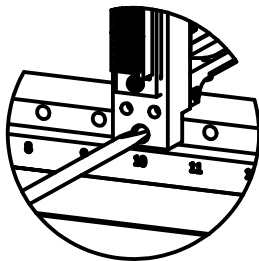
Installation.

- 1) Slide the pre-assembled DAK / PXI card assembly into the assigned card slot. Push in until the DAK screws touch the receiver top and bottom rails.

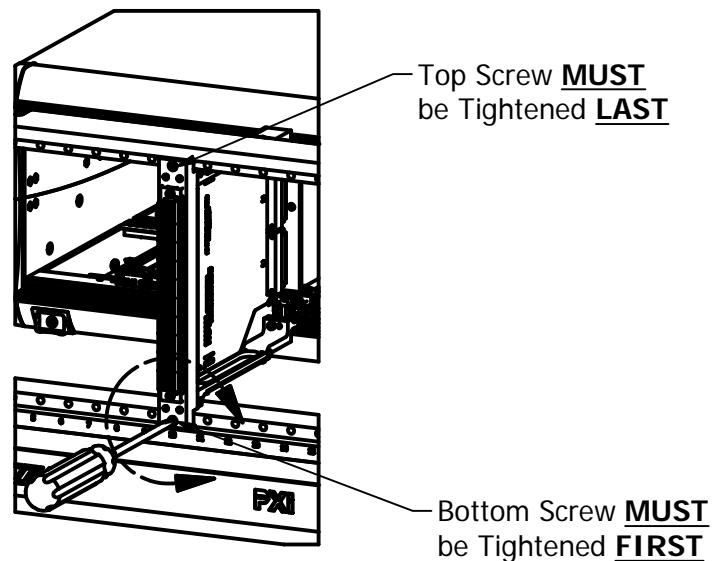


- 2) Using a 4.5mm flat bladed screwdriver, screw in the BOTTOM DAK screw first (Detail A) This will engage the PXI card into the chassis backplane. Once the bottom screw is properly seated, only then should the TOP screw be secured.

BOTTOM screw **MUST** be secured **FIRST**.



DETAIL A

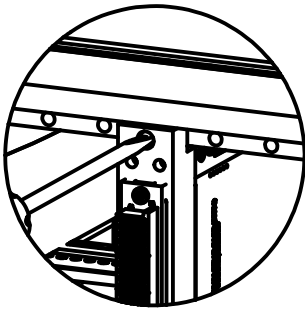


Your DAK / PXI card assembly is now correctly installed in the SCOUT receiver and PXI Chassis.

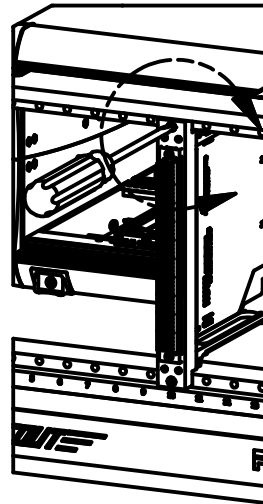
Removal.

1) Using a 4.5mm flat bladed screwdriver, unscrew the TOP DAK screw first. (Detail B)
When TOP screw is free from the receiver top rail, only then should the BOTTOM screw be removed.
(BOTTOM screw will pull the PXI card from the chassis backplane)

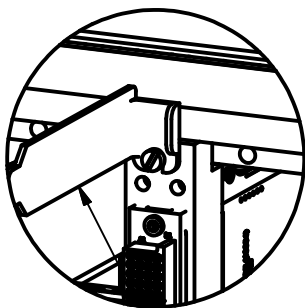
*TOP screw MUST
be unscrewed FIRST.
(this screw is captive and
should not be fully removed)*



Detail B

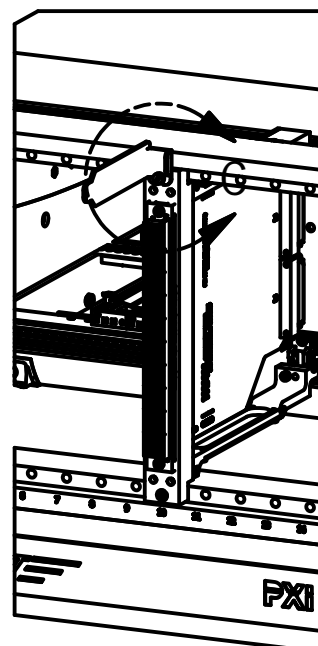


2) To aid in the removal of the DAK / PXI card assembly,
the DAK Removal tool can be hooked onto the bottom
DAK guide pin. (Detail C)
The DAK / PXI card assembly can then slide out.



Detail C

— DAK Removal Tool



Your DAK / PXI card assembly is now successfully removed
from the SCOUT receiver and PXI Chassis.



Artisan Technology Group is your source for quality new and certified-used/pre-owned equipment

- FAST SHIPPING AND DELIVERY
- TENS OF THOUSANDS OF IN-STOCK ITEMS
- EQUIPMENT DEMOS
- HUNDREDS OF MANUFACTURERS SUPPORTED
- LEASING/MONTHLY RENTALS
- ITAR CERTIFIED SECURE ASSET SOLUTIONS

SERVICE CENTER REPAIRS

Experienced engineers and technicians on staff at our full-service, in-house repair center

*InstraView*SM REMOTE INSPECTION

Remotely inspect equipment before purchasing with our interactive website at www.instraview.com ↗

WE BUY USED EQUIPMENT

Sell your excess, underutilized, and idle used equipment. We also offer credit for buy-backs and trade-ins. www.artisanng.com/WeBuyEquipment ↗

LOOKING FOR MORE INFORMATION?

Visit us on the web at www.artisanng.com ↗ for more information on price quotations, drivers, technical specifications, manuals, and documentation

Contact us: (888) 88-SOURCE | sales@artisanng.com | www.artisanng.com