



## Artisan Technology Group is your source for quality new and certified-used/pre-owned equipment

- FAST SHIPPING AND DELIVERY
- TENS OF THOUSANDS OF IN-STOCK ITEMS
- EQUIPMENT DEMOS
- HUNDREDS OF MANUFACTURERS SUPPORTED
- LEASING/MONTHLY RENTALS
- ITAR CERTIFIED SECURE ASSET SOLUTIONS

### SERVICE CENTER REPAIRS

Experienced engineers and technicians on staff at our full-service, in-house repair center

### *InstraView*<sup>SM</sup> REMOTE INSPECTION

Remotely inspect equipment before purchasing with our interactive website at [www.instraview.com](http://www.instraview.com) ↗

### WE BUY USED EQUIPMENT

Sell your excess, underutilized, and idle used equipment. We also offer credit for buy-backs and trade-ins. [www.artisanng.com/WeBuyEquipment](http://www.artisanng.com/WeBuyEquipment) ↗

### LOOKING FOR MORE INFORMATION?

Visit us on the web at [www.artisanng.com](http://www.artisanng.com) ↗ for more information on price quotations, drivers, technical specifications, manuals, and documentation

**Contact us:** (888) 88-SOURCE | [sales@artisanng.com](mailto:sales@artisanng.com) | [www.artisanng.com](http://www.artisanng.com)



SME5222AUPA-400

July 1999

# UltraSPARC™ -II CPU Module

DATASHEET

400 MHz CPU, 2.0 MB E-Cache

## MODULE DESCRIPTION

The UltraSPARC™-II, 400 MHz CPU, 2.0 Mbyte E-cache module, (SME5222AUPA-400), delivers high performance computing in a compact design. Based on the UltraSPARC™-II CPU, this module is designed using a small form factor board with an integrated external cache. It connects to the high bandwidth Ultra™ Port Architecture (UPA) bus via a high speed sturdy connector. The UltraSPARC™-II, 400 MHz CPU, 2.0 Mbyte E-cache module, can plug into any UPA connector, saving system design costs and reducing the production time for new systems.

Heatsinks are attached to components on the module board. The module board is encased in a plastic shroud. The purpose of this shroud is to protect the components and channel airflow. Module design is geared towards ease of upgrade and field support.

### Module Features

#### *Ease of System Design*


#### *Performance*

#### *Glueless MP Support*

#### *Simplify System Qualifications by Complying with Industry and Government Standards*

### Module Benefits

- Small form factor board with integrated external cache SRAMs and UPA interface
- JTAG boundary scan and performance instrumentation
- PCB provides a multi-power plane bypass, reducing systemboard design requirements
- High performance UltraSPARC™ CPU at 400 MHz
- Two megabytes of external cache using high speed register-latch SRAMs
- Dedicated high bandwidth bus to processor
- Implements the high performance UPA interface
- Supports up to 16 Mbyte of external cache in a four-way MP system
- Backwards compatibility with systems implementing a UPA interface
- Plastic shroud protects components and channels airflow
- Multi-layer PCB controls EMI radiation
- Edge connectors and ejectors
- Small form factor board encased in a heat resistant shroud
- On-board voltage regulator accepts 2.6 volts for the Vdd\_core; compatible with existing systems



SME5222AUPA-400

UltraSPARC™-II CPU Module  
400 MHz CPU, 2.0 MB E-Cache

## CPU DESCRIPTION

### UltraSPARC-II CPU

The UltraSPARC™-II CPU is the second generation in the UltraSPARC™ s-series microprocessor family. A complete implementation of the SPARC™ V9 architecture, it has binary compatibility with all previous versions of the SPARC™ microprocessor family.

The UltraSPARC™-II CPU is designed as a cost effective, scalable and reliable solution for high-end workstations and servers. Meeting the demands of mission critical enterprise computing, the UltraSPARC™-II CPU runs enterprise applications requiring high data throughput. It is characterized by a high integer and floating point performance: optimally accelerating application performance, especially multimedia applications.

Delivering high memory bandwidth, media processing and raw compute performance, the UltraSPARC™-II CPU incorporates innovative technologies which lower the cost of ownership.

### CPU Features

#### Architecture

- Thirty-two 64-bit integer registers
- Superscalar/Superpipelined
- High performance memory interconnect
- Built-in Multiprocessing Capability
- VIS multimedia accelerating instructions
- 100% binary compatibility with previous versions of SPARC™
- Uses 0.25 micron technology and packaging

#### Performance

- Integer
- Floating Point
- Bandwidth (BW) to main memory

#### Unique Features

- Block load and store instructions
- JTAG Boundary Scan and Performance Instrumentation

### CPU Benefits

- 64-bit SPARC-V9 architecture increases the network computing application's performance
- Allows applications to store data locally in the register files
- Allows for multiple integer and floating point execution units leading to higher application performance
- Alleviating the bottleneck of bandwidth to main memory
- Delivering scalability at the system level, thus increasing the end user's return on investment
- Reducing the system cost by eliminating the special purpose media processor
- Increasing the return on investment of software applications
- Enhanced processor performance with decreased power consumption, thus increasing the reliability of the microprocessor
- 17.2 (SPECint95)
- 22.3 (SPECfp95)
- 1.6 Gbyte/sec (peak) with a 100MHz UPA
- Delivering high performance access to large datasets across the network
- Enabling UltraSPARC™ based systems to offer features such as: power management, automatic error correction, and lower maintenance cost

## DATA BUFFER DESCRIPTION

### *UltraSPARC-II Data Buffer (UDB-II)*

The UltraSPARC™-II module has two UltraSPARC-II data buffers (UDB-II) - each a 256 pin BGA device - for a system bus width of 128 Data + 16 ECC.

There is a bidirectional flow of information between the external cache of the CPU and the 144-bit UPA interconnect. The information flow is linked through the UDB-II, it includes: cache fill requests, writeback data for dirty displaced cache lines, copyback data for cache entries requested by the system, non-cacheable loads and stores, and interrupt vectors going to and from the CPU.

Each UDB-II has a 64-bit interface plus eight parity bits on the CPU side, and a 64-bit interface plus 8 error correction code (ECC) bits on the system side.

The CPU side of the UDB-II is clocked with the same clock delivered to UltraSPARC-II (1/2 of the CPU pipeline frequency).

## EXTERNAL CACHE DESCRIPTION

The external cache is connected to the E-cache data bus. Five SRAM chips are used to implement the two megabyte cache. One SRAM is used as the tag SRAM and four are used as data SRAMs. The tag SRAM is 128K x 36, as are the four data SRAMs (128K x 36). All five SRAMs operate in synchronous register-latch mode.

The SRAM interface to the CPU runs at one-half of the frequency of the CPU pipeline. The SRAM signals operate at 1.9V HSTL. The SRAM clock is a differential low-voltage HSTL input.<sup>[1]</sup>

---

1. PECL (Positive Emitter Coupled Logic) clocks are converted on the module to the HSTL clocks, for the E-cache interface.

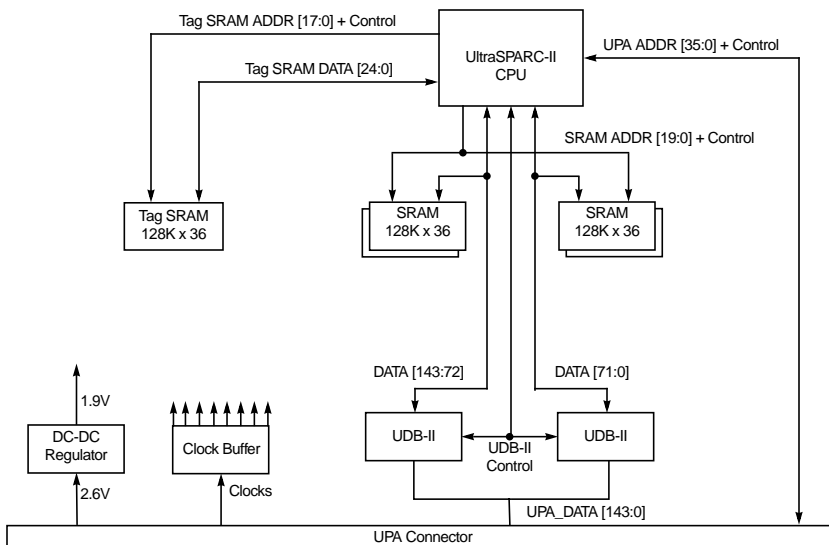
## MODULE COMPONENT OVERVIEW

The UltraSPARC-II CPU Module, (SME5222AUPA-400), (see *Figure 1*), consists of the following components:

- UltraSPARC™-II CPU at 400 MHz
- UltraSPARC-II Data Buffer (UDB-II)
- 2.0 Megabyte E-cache, made up of four (128K X 36) data SRAMs and one (128K X 36) Tag SRAM
- Clock Buffer: MC100LVE210
- DC-DC regulator (2.6V to 1.9V)
- Module Airflow Shroud

### Block Diagram

The module block diagram for the UltraSPARC™-II, 400 MHz CPU, 2.0 Mbyte E-cache module, is illustrated in Figure 1.



**Figure 1. Module Block Diagram**

## SYSTEM INTERFACE

Figure 2 shows the major components of a UPA based uniprocessor system. The system controller for the UPA bus arbitrates between the UltraSPARC™-II, 400 MHz CPU, 2.0 Mbyte E-cache module, and the I/O bridge chip. The figure also illustrates a slave-only UPA graphics port for Sun graphics boards.

The module UPA system interface signals run at one-quarter of the rate of the internal CPU frequency.

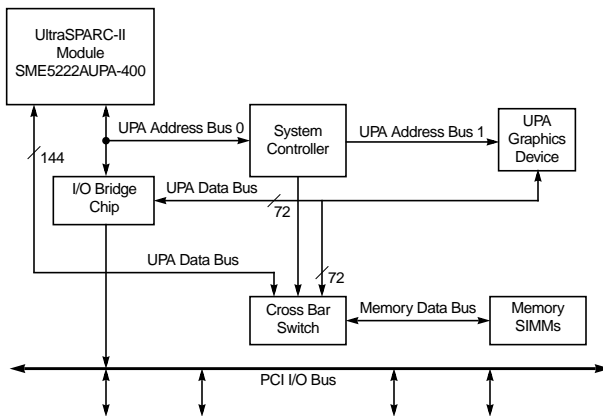


Figure 2. Uniprocessor System Configuration

### UPA Connector Pins

The UPA edge connector provides impedance control. The pin assignments are shown with the physical module connector and are represented on page 24 and page 25.

### UPA Interconnect

The UltraSPARC™-II, 400 MHz CPU, 2.0 Mbyte E-cache module, (SME5222AUPA-400) supports full master and slave functionality with a 128-bit data bus and 16-bit ECC.

All signals that interface with the system are compatible with LVTTTL levels. The clock inputs at the module connector, CPU\_CLK, UPA\_CLK0, and UPA\_CLK1, are differential low-voltage PECL compatible.

### *Module ID*

Module IDs are used to configure the UPA address of a module. The UPA\_PORT\_ID[4:3] are hardwired on the module to "0". UPA\_PORT\_ID[1:0] are brought out to the connector pins. Each module is hardwired in the system to a fixed and unique UPA address. This feature supports systems with four or fewer processors. For systems that need to support eight modules, UPA\_SPEED[1] is connected to SYSID[2] in UDB-II to provide UPA\_PORT\_ID[2].

Systems which support more than eight modules, must map the limited set of UPA\_PORT\_IDs from this module to the range of required UPA\_PORT\_IDs, by implementation-specific means in the system.

System firmware (Open Boot Prom) uses UPA\_CONFIG\_REG[42:39] for generating correct clocks to the CPU module and the UPA system ASICs. These bits are hardwired on the module and are known at MCAP[3:0] at the UltraSPARC-II pins. The 4-bit MCAP value for this module is 0111b.

### *Module Power*

Two types of power are required for this module:  $V_{DD}$  at 3.3 volts, and  $V_{DD\_CORE}$  at 2.6 volts. The  $V_{DD\_CORE}$  supplies the DC-DC regulator which in turn supplies 1.9 volts to the core of the processor chip, the UDB-II external cache interface I/O, and the SRAM I/O. A resistor located on the module sends the program value to the power supply so it generates  $V_{DD\_CORE}$  at 2.6 volts to the regulator.

### *JTAG Interface*

The JTAG TCK signal is distributed to UDB-II, SRAMs and the CPU. For additional information about the JTAG interface, see "JTAG Testability," on page 22, and "JTAG (IEEE 1149.1) Timing," on page 23.

## SIGNAL DESCRIPTION<sup>[1]</sup>

### System Interface

Signal	Type	Name and Function
UPA_ADDR[35:0]	I/O	Packet switched transaction request bus. Maximum of three other masters and one system controller can be connected to this bus. Includes 1-bit odd-parity protection. Synchronous to UPA_CLK.
UPA_ADDR_VALID	I/O	Bidirectional radial UltraSPARC-II Bus signal between UltraSPARC-II and the System. Driven by UltraSPARC-II to initiate UPA_ADDR transactions to the System. Driven by system to initiate coherency, interrupt or slave transactions to UltraSPARC-II. Synchronous to UPA_CLK. Active high.
UPA_REQ_IN[2:0]	I	UltraSPARC-II system address bus arbitration request from up to 3 other UltraSPARC-II bus ports, which may share the UPA_ADDR. Used by UltraSPARC-II for the distributed UPA_ADDR arbitration protocol. Connection to other UltraSPARC-II bus ports is strictly dependent on the Master ID allocation. Synchronous to UPA_CLK. Active high.
UPA_SC_REQ_IN	I	UltraSPARC-II system address bus arbitration request from the system. Used by UltraSPARC-II for the distributed UPA_ADDR arbitration protocol. Synchronous to UPA_CLK. Active high.
UPA_S_REPLY[4:0]	I	UltraSPARC-II system reply packet, driven by system controller to the UPA port. Synchronous to UPA_CLK. Active high. UPA_S_REPLY [4] is a no-connect.
UPA_DATA_STALL	I	Driven by system controller to indicate whether there is a data stall. Active high.
UPA_P_REPLY[4:0]	O	UltraSPARC-II system reply packet, driven by UltraSPARC-II to the system. Synchronous to UPA_CLK. Active high.
UPA_DATA[127:0]	I/O	UPA Interconnect Data bus.
UPA_ECC[15:0]	I/O	ECC bits for the data bus. 8-bit ECC per 64-bits of data.
UPA_ECC_VALID	I	Driven by the system controller to indicate ECC is valid for the data on the UPA interconnect data bus: active high.
UPA_REQ_OUT	I/O	Arbitration request from this module: active high.
UPA_PORT_ID[1:0]	I	Module's identification signals: active high. UPA_SPEED[1] acts as a UPA_PORT_ID[2]

### Clock Interface

Signal	Type	Name and Function
UPA_CLK[1:0]_POS UPA_CLK[1:0]_NEG	I	UPA Interconnect Clock: two copies are provided, one for the CPU and one for the UDBs
CPU_CLK_POS CPU_CLK_NEG	I	Differential Clock inputs to the clock buffer on the module
UPA_RATIO	I	This is not used
UPA_SPEED [0]	O	UPA Interconnect Clock: two copies are provided, one for the CPU and one for the UDBs
UPA_SPEED [1]	I/O	UPA_SPEED[1] is tied low with 510 ohms and high to 3.3V with 4.7k ohms. It is also connected to the SYSID [2] on each UDB-II.
UPA_SPEED [2]	O	UPA_SPEED [2] is tied low on the module



**JTAG/Debug Interface**

Signal	Type	Name and Function
TDO	O	IEEE 1149 test data output. A three-state signal driven only when that TAP controller is in the shift-DR state.
TDI	I	IEEE 1149 test data input. This pin is internally pulled to logic one when not driven.
TCLK	I	IEEE 1149 test clock input. This pin if not hooked to a clock source must always be driven to a logic 1 or a logic 0.
TMS	I	IEEE 1149 test mode select input. This pin is internally pulled to logic one when not driven. Active high.
TRST_L	I	IEEE 1149 test reset input (active low). This pin is internally pulled to logic one when not driven. Active low.

**Initialization Interface**

Signal	Type	Name and Function
UPA_RESET_L	I	Driven by the system controller for the POR (power-on) resets and the fatal system reset. Asserted asynchronously. Deasserted synchronous to UPA_CLK. Active low.
UPA_XIR_L	I	Driven to signal externally initiated reset (XIR). Actually acts like a non-maskable interrupt. Synchronous to UPA_CLK. Active low, asserted for one clock cycle.

**Miscellaneous Signals**

Signal	Type	Name and Function
TEMP_SENSE_NEG TEMP_SENSE_POS	O	Connected to a thermistor <sup>1)</sup> next to the CPU package, see <i>Figure 6</i> on page 16.
POWER_SET_POS POWER_SET_NEG	O	POWER_SET_NEG is tied to GND on the module. POWER_SET_POS is connected to GND via a 1690-ohm resistor. Sets voltage of programmable supply.
POWER_OV	O	Connected to GND via a 1180-ohm resistor. Sets overvoltage level for programmable supply.

1. The thermistor used on the module (SME5222AUPA-400) is manufactured by KOA. Operating at 47K the thermistor has KOA part number NT32BT473J.

## UPA AND CPU CLOCKS

### Module Clocks

The module receives three differential pair low voltage PECL (LVPECL) clock signals (CPU\_CLK, UPA\_CLK0 and UPA\_CLK1) from the systemboard and terminates them. The CPU\_CLK is unique in the system, but the UPA\_CLKs are two of many UPA clock inputs in the system.

The CPU\_CLK operates at 1/2 the CPU core frequency. The UPA\_CLKs operate at the UPA bus frequency. The CPU to UPA clock ratios refer to the CPU core to UPA bus clock signal frequency. The CPU on the module will automatically sense the clock ratio driven by the systemboard as long as the module clock timing is satisfied.

The UltraSPARC-II CPU and UDB-II data buffers detect and support multiple CPU to UPA clock frequency ratios. The UltraSPARC™-II, 400 MHz CPU, 2.0 Mbyte E-cache module, is production tested in the 4:1 ratio (400 MHz CPU and 100 MHz UPA). It can be qualified at other ratios in specific systemboards.

UltraSPARC-II CPU Module	Tested CPU to UPA Frequency Ratio	Other supported CPU to UPA Frequency Ratios
400 MHz, 2 Mbyte E-cache	4:1	3:1, 5:1, 6:1

### System Clocks

The systemboard generates and distributes the CPU and UPA LVPECL clocks. The systemboard includes a frequency generator, frequency divider, clock buffers, and terminators.

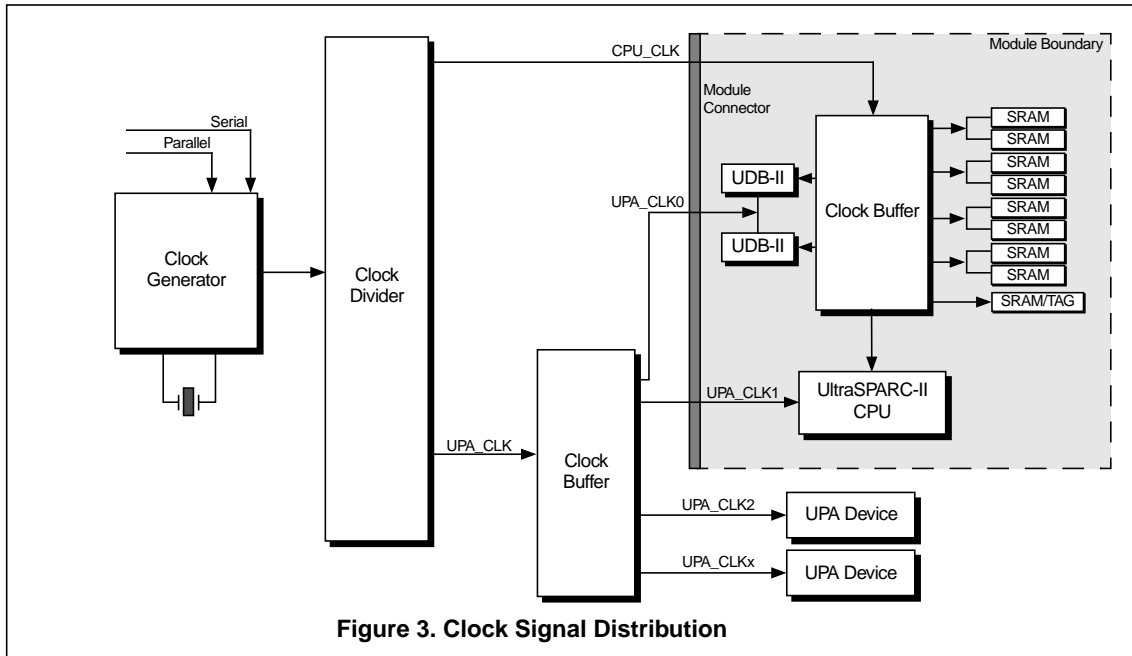
The buffers fan-out the LVPECL clocks to the many UPA devices: the module, cross-bar data switches, system controller, FFB, and the system I/O bridge. The LVPECL clock trace pairs are routed source-to-destination. Each net is terminated at the destination. Most destinations are to single devices. The PCB traces for the LVPECL clocks are balanced to provide a high degree of synchronous UPA device operation.

### System Clock Distribution

The goal of this clock distribution is to deliver a quality clock to each system UPA device simultaneously and with the correct clock relationships to the module clocks. For a discussion on how to layout and balance the systemboard LVPECL clock signals and UPA bus signals, see the UPA Electrical Bus Design Note (Document Part Number: 805-0089).

The effective length of the CPU\_CLK, UPA\_CLK0, and UPA\_CLK1 clocks signals on the module are provided in the UPA AC Timing Specification section of this data sheet.

The block diagram for the LVPECL clocks "Clock Signal Distribution," on page 10, illustrates a typical system clock distribution network. Each clock line is a parallel-terminated, dual trace LVPECL clock signal for the CPU, the UPA and the SRAM devices.



#### LOW VOLTAGE PECL

Two trace signals compose each clock: one positive signal and one negative signal. Each signal is 180-degrees out of phase with the other. Signal timing is referenced to when the positive LVPECL signal transitions from low to high at the cross-over point, when the negative signal transitions from high to low. The trace-pair are routed side-by-side and use parallel termination, (specific routing techniques are require).

#### CPU CLOCK INPUT

The PLL in the CPU doubles the clock frequency presented at its clock pin. So, for a 400 MHz core CPU clock frequency, the CPU\_CLK signal is 200 MHz. Therefore, for the CPU, actions will appear to occur at both transitions of the input CPU\_CLK.

#### CLOCK TRACE DELAYS

The LVPECL propagation time is constant for all clock signals so all balancing is based on length rather than time. All LVPECL traces are striplines (dielectric and power planes top and bottom) with a fixed 180 ps per inch propagation time using the FR4, PCB Dielectric.

## ELECTRICAL CHARACTERISTICS

### Absolute Maximum Ratings<sup>[1]</sup>

Symbol	Parameter	Rating	Units
V <sub>DD</sub>	Supply voltage range for I/O	0 to 3.8	V
V <sub>DD_CORE</sub> <sup>[2]</sup>	Supply voltage range for CPU core	0 to 3.0	V
V <sub>I</sub>	Input voltage range <sup>[3]</sup>	-0.5 to V <sub>DD</sub> + 0.5	V
V <sub>O</sub>	Output voltage range	-0.5 to V <sub>DD</sub> + 0.5	V
I <sub>IK</sub>	Input clamp current	± 20	mA
I <sub>OK</sub>	Output clamp current	± 50	mA
I <sub>OL</sub>	Current into any output in the low state	50	mA
T <sub>STG</sub>	Storage temperature	-40 to 90	°C

1. Operation of the device at values in excess of those listed above will result in degradation or destruction of the device. All voltages are defined with respect to ground. Functional operation of the device at these or any other conditions beyond those indicated under "recommended operating conditions" is not implied. Exposure to absolute-maximum-rated conditions for extended periods may affect device reliability.
2. The V<sub>DD\_CORE</sub> supplies voltage to the onboard DC-DC regulator. The onboard DC-DC regulator then powers the CPU core and the SRAM I/O bus interface. The V<sub>DD\_CORE</sub> must be lower than V<sub>DD</sub>, except when the CPU is being re-cycled, at which time the V<sub>DD</sub> can be lower than V<sub>DD\_CORE</sub> for 30 ms or less, provided that the current is limited to twice their maximum CPU rating.
3. Unless otherwise noted, all voltages are to the V<sub>SS</sub> ground.

### Recommended Operating Conditions

Symbol	Parameter	Min	Typ	Max	Units
V <sub>DD</sub>	Supply voltage for I/O	3.14	3.30	3.46	V
V <sub>DD_CORE</sub>	Supply voltage for the CPU core <sup>[1]</sup>	2.47	2.6	2.73	V
V <sub>SS</sub>	Ground	–	0	–	V
V <sub>IH</sub>	High-level input voltage	2.0	–	V <sub>DD</sub> + 0.2	V
V <sub>IL</sub>	Low-level input voltage	-0.3	–	0.8	V
I <sub>OH</sub>	High-level output current	–	–	-4	mA
I <sub>OL</sub>	Low-level output current	–	–	8	mA
T <sub>J</sub>	Operating junction temperature	–	–	85	°C
T <sub>A</sub>	Operating ambient temperature	–	–	– <sup>[2]</sup>	°C

1. The module is supplied with 2.6 volts by the module's Vdd\_core power pins. The on-board voltage regulator supplies 1.9 volts to the CPU core and the SRAM I/O bus interface.
2. The maximum ambient temperature is limited by airflow such that the maximum junction temperature does not exceed T<sub>J</sub>. See the section, "Thermal Specifications," on page 18.

**DC Characteristics<sup>[1]</sup>**

Symbol	Parameter	Conditions	Min	Typ	Max	Units
V <sub>OH</sub>	High-level output voltage	V <sub>DD</sub> = Min, I <sub>OH</sub> = Max	2.4	–	–	V
V <sub>IH</sub>	High-level input voltage PECL clocks		2.28	–	–	V
	High-level input voltage, except PECL clocks		2.0	–	–	V
V <sub>IL</sub>	Low-level input voltage PECL clocks		–	–	1.49	V
	Low-level input voltage, except PECL clocks		–	–	0.8	V
V <sub>OL</sub>	Low-level output voltage	V <sub>DD</sub> = Min, I <sub>OL</sub> = Max	–	–	0.4	V
I <sub>DD</sub>	Supply current for V <sub>DD</sub> <sup>[2] [3]</sup>	V <sub>DD</sub> = Max, Freq.=Max	–	6.6	8.6	A
I <sub>DD_CORE</sub>	Supply current for V <sub>DD_CORE</sub> <sup>[4] [3]</sup>	V <sub>DD_CORE</sub> = Max, Freq.=Max	–	10.2	11.2	A
I <sub>OZ</sub>	High-impedance output current (Outputs without pull-ups)	V <sub>DD</sub> = Max, V <sub>O</sub> = 0.4V to 2.4V	–	–	30	μA
	High-impedance output current (Outputs with pull-ups)	V <sub>DD</sub> = Max, V <sub>O</sub> = V <sub>SS</sub> to V <sub>DD</sub>	–	–	-30	μA
I <sub>I</sub>	Input current (inputs without pull-ups)	V <sub>DD</sub> = Max, V <sub>I</sub> = V <sub>SS</sub> to V <sub>DD</sub>	–	–	± 20	μA
	Input current (inputs with pull-ups)	V <sub>DD</sub> = Max, V <sub>I</sub> = V <sub>SS</sub> to V <sub>DD</sub>	–	–	-250	μA
I <sub>OH</sub>	High level output current		4	–	–	mA
I <sub>OL</sub>	Low level output current		8	–	–	mA

1. Note that this tables specifies the DC characteristics at the UPA128M connector.

2. The supply current for the V<sub>DD</sub> includes the supply current for the CPU, UDB-II, and the SRAMs.

3. The typical DC current values represent the current drawn at nominal voltage with a typical, busy computing load. Variations in the device, computing load, and system implementation affect the actual current. The maximum DC current values will rarely, if ever, be exceeded running all known computing loads over the entire operating range. The maximum values are based on simulations.

4. The supply current for the V<sub>DD\_CORE</sub> includes the supply current for the CPU, UDB-II, SRAMs, via the DC to DC regulator.

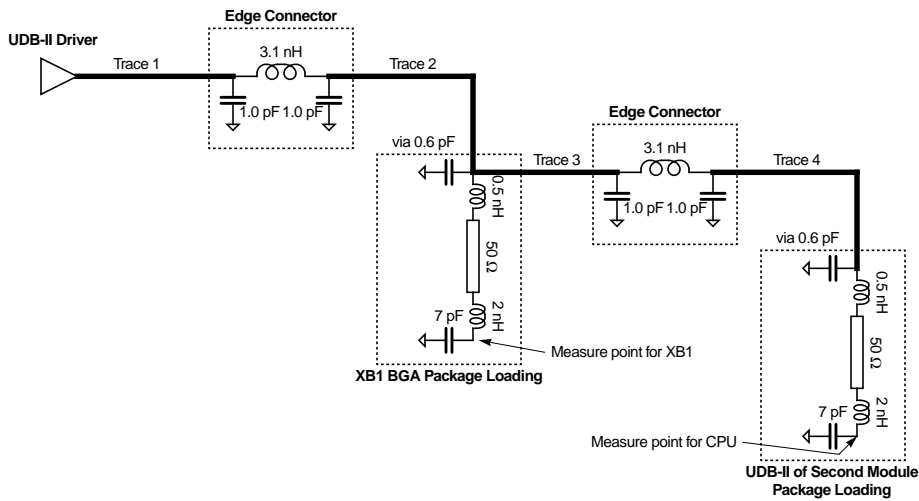
**Module Power Consumption**

This UltraSPARC-II CPU module requires two supply voltages. The required voltages (provided to the module) for the V<sub>DD</sub> and V<sub>DD\_CORE</sub>, are respectively 3.30V and 2.6V. The estimated maximum power consumption of the UltraSPARC™-II, 400 MHz CPU, 2.0 Mbyte E-cache module, (SME5222AUPA-400) is 57.5 watts at 400 MHz.

The estimated maximum power consumption includes the CPU, the SRAMs, the clock logic and the 8 watts consumed by the DC-DC regulator.

### UPA Data Bus SPICE Model

A typical circuit for the UPA data bus and ECC signals is illustrated in *Figure 4.*



*Worst Case:*  $Z_0 = 60\Omega$ ,  $T_p = 180$  ps/inch, Trace 1 Length = 4.4", Trace 2 Length = 0.6", Trace 3 Length = 1.2", Trace 4 Length = 4.4"

*Best Case:*  $Z_0 = 50\Omega$ ,  $T_p = 160$  ps/inch, Trace 1 Length = 2.2", Trace 2 Length = 0.2", Trace 3 Length = 0.2", Trace 4 Length = 2.2"

**Figure 4. Module System Loading: Example for UPA\_DATA, UPA\_ECC**

## UPA AC TIMING SPECIFICATIONS

The UPA AC Timing Specifications are referenced to the UPA connector. The timing assumes that the clocks are correctly distributed, (see the section "System Clock Distribution," on page 9). The effective PCB clock trace lengths (CPU\_CLK, UPA\_CLK0 and UPA\_CLK1) are used to calculate a balanced clock system.

### UPA\_CLK Module Clocks

All the UPA\_CLKx trace pairs are the same length coming from the clock buffer and going to each load. To calculate UPA\_CLK0 and UPA\_CLK1 for the module, assume the trace lengths on the module are 9 inches, (which includes the module connector).

### CPU\_CLK Module Clock

The CPU\_CLK trace on the system board is typically only a few inches long. It is the length of the traces used for the UPA\_CLKs from the clock buffer plus the length of UPA\_CLK from the clock divider to the clock buffer minus the effective trace length of CPU\_CLK on the module, 18 inches, including the module connector.

### Clock Buffers

The Clock buffer on the systemboard and the clock buffer on the module are assumed to have similar delays. The clock buffers have a 600 ps delay.

### Timing References

The setup, hold and clock to output timing specifications are referenced at the module connector for the signal and at the system UPA device pin. There is no reference point associated with the module since the module trace lengths provided above are effective lengths only and may not represent actual traces.

The following table specifies the AC timing parameters for the UPA bus. For waveform illustrations see the illustration, "Timing Measurement Waveforms," on page 15.

Static signals consist of: UPA\_PORT\_ID[1:0]; UPA\_RATIO; and UPA\_SPEED[2:0].

### Setup and Hold Time Specifications

Symbol	Setup Signals and Hold Time Signals	Waveforms	400 MHz CPU 100 MHz UPA		Unit
			Min	Max	
$t_{SU}$	UPA_DATA [127:0]	1	3.4	–	ns
Setup time	UPA_ADDR [35:0] UPA_ADDR_VALID, UPA_REQ_IN [2:0], UPA_SC_REQ_IN, UPA_DATA_STALL, UPA_ECC_VALID, UPA_RESET_L, UPA_XIR_L	1	2.9	–	ns
	UPA_ECC [15:0]	1	3.4	–	ns
	UPA_S_REPLY [3:0]	1	3.4	–	ns

### Setup and Hold Time Specifications

Symbol	Setup Signals and Hold Time Signals	Waveforms	400 MHz CPU 100 MHz UPA		Unit
			Min	Max	
$t_H$	UPA_DATA [127:0]	1	0.4	–	ns
Hold time	UPA_ADDR [35:0] UPA_ADDR_VALID, UPA_REQ_IN [2:0], UPA_SC_REQ_IN, UPA_DATA_STALL, UPA_ECC_VALID, UPA_RESET_L, UPA_XIR_L	1	0.4	–	ns
	UPA_ECC [15:0]	1	0.4	–	ns
	UPA_S_REPLY [3:0]	1	0.4	–	ns

The following table, "Propagation Delay, Output Hold Time Specifications," specifies the propagation delay and output hold times for the UltraSPARC™-II, 400 MHz CPU, 2.0 Mbyte E-cache module.

### Propagation Delay, Output Hold Time Specifications

Symbol	Clock-to-Out Signals and Output-Hold Signals	Waveforms	400 MHz CPU 100 MHz UPA		Unit
			Min	Max	
$t_p$	UPA_DATA [127:0]	2	–	3.8	ns
	UPA_ADDR [35:0] UPA_ADDR_VALID, UPA_P_REPLY[4:0], UPA_REQ_OUT	2	–	3.1	ns
	UPA_ECC [15:0]	2	–	3.8	ns
$t_{OH}$	UPA_DATA [127:0]	2	1.1	–	ns
	UPA_ADDR [35:0] UPA_ADDR_VALID, UPA_P_REPLY[4:0]	2	1.1	–	ns
	UPA_ECC [15:0]	2	1.1	–	ns

### Timing Measurement Waveforms

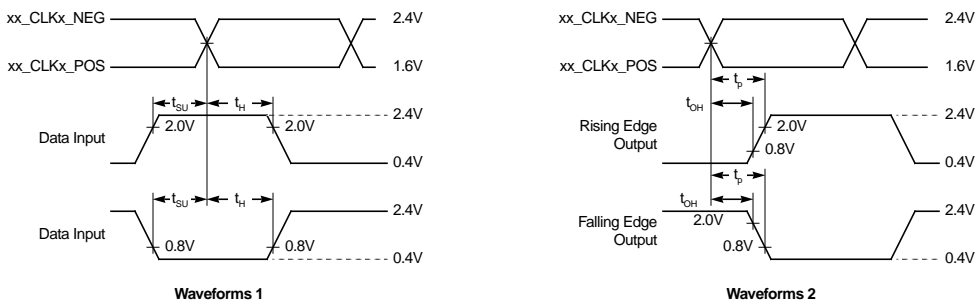
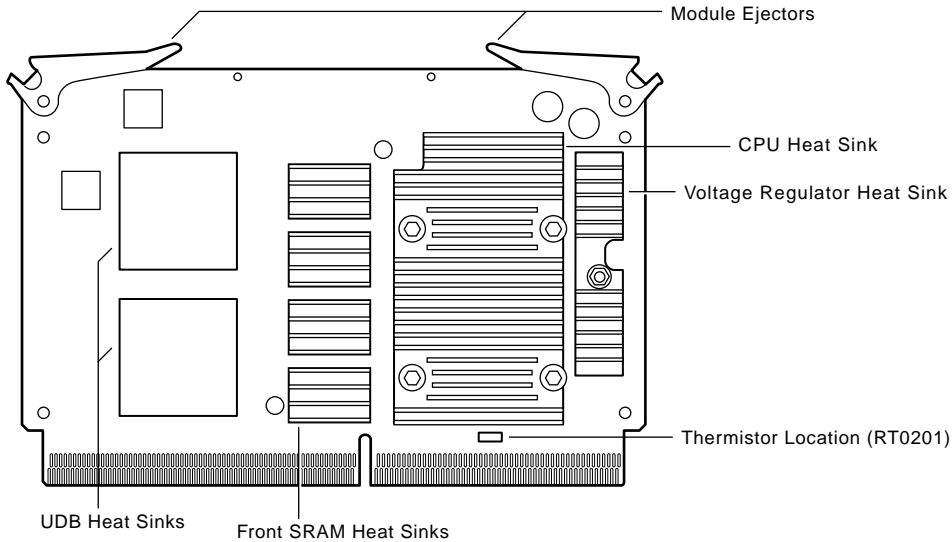


Figure 5. Timing Measurement Waveforms

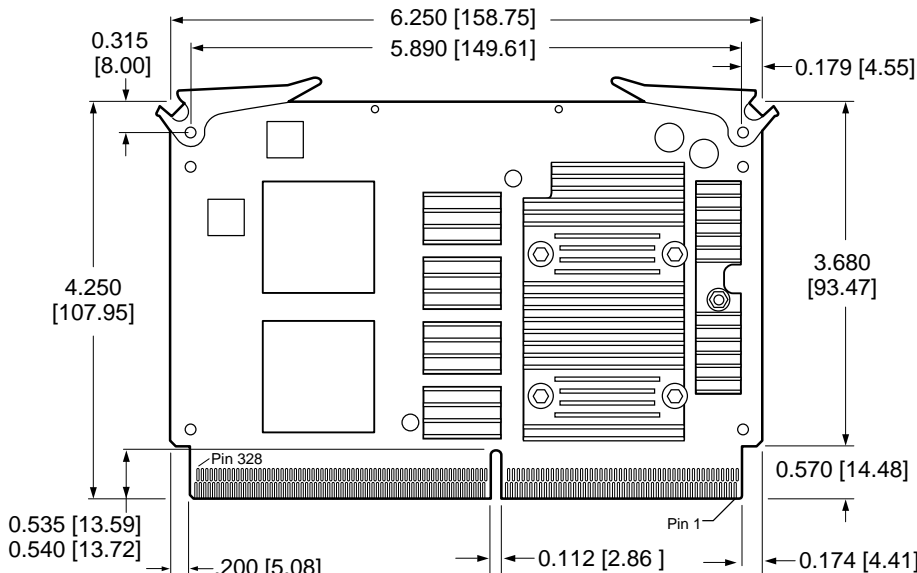


## MECHANICAL SPECIFICATIONS

The module components and dimensions are specified in *Figure 6*, *Figure 7*, *Figure 8* and *Figure 9*.



**Figure 6. CPU Module Components**



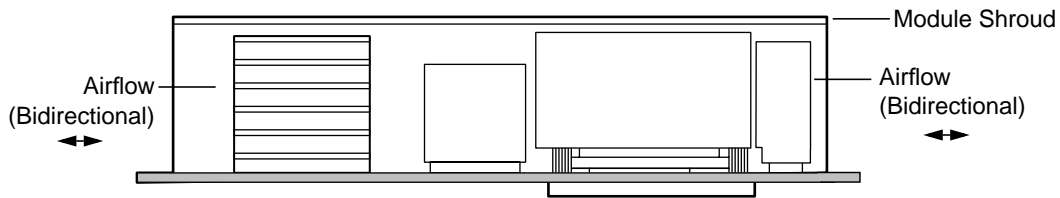
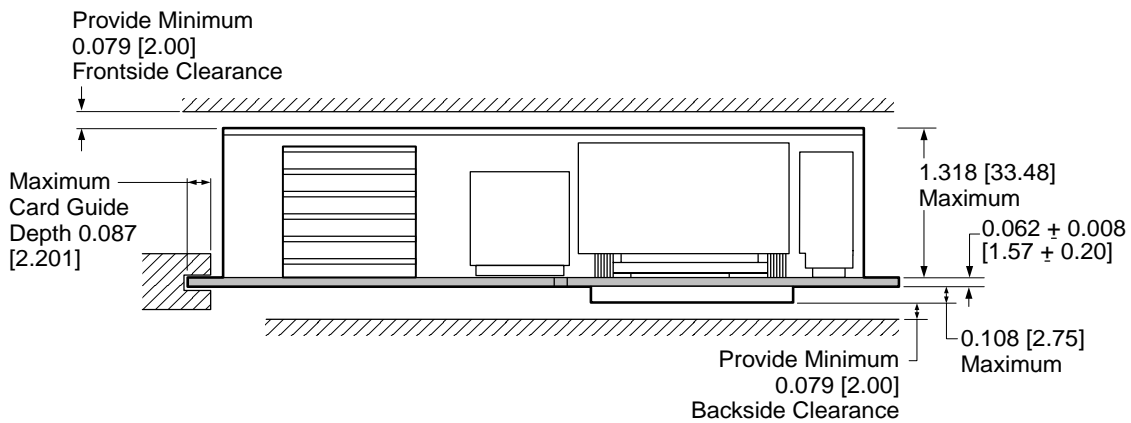


Figure 8. CPU Module Side View



Dimensions: inches [mm]

Figure 9. CPU Module Side View Dimensions

## THERMAL SPECIFICATIONS

The maximum CPU operating frequency and I/O timing is reduced when the junction temperature ( $T_j$ ) of the CPU device is raised. Airflow must be directed to the CPU heatsink to keep the CPU device cool. Correct airflow maintains the junction temperature within its operating range. The airflow directed to the CPU is usually sufficient to keep the surrounding devices on the topside of the module cool, including the SRAMs and clock circuitry.

The CPU temperature specification is provided in terms of its junction temperature. It is related to the case temperature by the thermal resistance of the package and the power the CPU is dissipating.

The case temperature can be measured directly by a thermocouple probe, verifying that the CPU junction temperature is correctly maintained over the entire operating range of the system. This includes both the compute load and the environmental conditions for the system. If measuring the case temperature is problematic, then, measure the heatsink temperature and calculate the junction temperature. Both approaches for calculating junction temperature are explained in this section. Irrespective of which method is used, accurate measurement is required.

### *Two Step Approach to Thermal Design*

**Step One** determines the ducted airflow requirements based on the CPU power dissipation, the thermal characteristics of the CPU package, and the surrounding heatsink assembly.

See "Thermal Definitions and Specifications," on page 19 for the modules specifications. The specifications for the heatsinks are found in the table "Heatsink-to-Air Thermal Resistance," page 20.

**Step Two** verifies the cooling effectiveness of the design, by measuring the heatsink or case temperature and calculating the junction temperature. The junction temperature must not exceed the CPU specification. In addition, the lower the junction temperature, the higher the system reliability. The CPU temperature must be verified under a range of system compute loads and system environmental conditions, using one of the temperature measuring methods described herein.

### Thermal Definitions and Specifications

Term	Definition	Specification	Comments
T <sub>j</sub>	Maximum device junction temperature	85 °C	The T <sub>j</sub> can't be measured directly by a thermocouple probe. It must always be estimated as T <sub>j</sub> or less. Less is preferred.
T <sub>c</sub>	Maximum case temperature	76.7 °C	Measurable at the top-center of the device. Requires a hole in the base of the heatsink to allow the thermocouple to be in contact with the case. Maximum case temperature is specified using a CPU device at its maximum power dissipation.
T <sub>s</sub>	Heatsink temperature	75 °C	Measurable at the temperature of the base of the heatsink. The best approach is to embed a thermocouple in a cavity drilled in the heatsink base. An alternative approach is to place the thermocouple between the fins/pins of the heatsink (insulated from the airflow) and in contact with the base plate of the heatsink.
T <sub>a</sub>	Module ambient air temperature	see page 20	The air temperature as it approaches the heatsink.
P <sub>d</sub>	Maximum power dissipation of the CPU	19 W	The worst case compute loads over the entire process range.
θ <sub>jc</sub>	Maximum junction-to-case thermal resistance of the package	0.5°C/W	The specification for the UltraSPARC™-II, 400 MHz CPU in a ceramic LGA package.
θ <sub>cs</sub>	Case-to-heatsink thermal resistance	0.1 °C/W	Accuracy of this value requires that good thermal contact is made between the package and the heatsink.
θ <sub>sa</sub>	Heatsink-to-air thermal resistance	see page 20	This value is dependent on the heatsink design, the airflow direction, and the airflow velocity.
V <sub>a</sub>	Air velocity	see page 20	The ducted airflow.

## Temperature Estimating and Measuring Methods

The following methods can be used to estimate air cooling requirements and calculate junction temperature based on thermocouple temperature measurements.

### Airflow Cooling Measurement Method

The relationship between air temperature and junction temperature is described in the following thermal equation:

$$T_j = T_a + [P_d (\theta_{jc} + \theta_{cs} + \theta_{sa})]$$

*Note: Testing is done with the worst-case power draw, software loading, and ambient air temperature.*

Determination of the ambient air temperature ( $T_a$ ) and the “free-stream” air velocity is required in order to apply the airflow method. The table "Heatsink-to-Air Thermal Resistance," illustrates the thermal resistance between the heatsink and air ( $\theta_{sa}$ ).

Note that the airflow velocity can be measured using a velocity meter. Alternatively it may be determined by knowing the performance of the fan that is supplying the airflow. Calculating the airflow velocity is difficult. It is subject to the interpretation of the term “free-stream.”

*Note: The Airflow Cooling Estimate method is an estimate. Use it solely when an approximate value suffices. Thermal accuracy can only be assured using the Case Temperature measuring method or the Heatsink Temperature measuring method. Apply these methods to insure a reliable performance.*

The following table, "Heatsink-to-Air Thermal Resistance," specifies the thermal resistance of the heatsink as a function of the air velocity.

### Heatsink-to-Air Thermal Resistance

Air Velocity (ft/min) <sup>(1)</sup>	150	200	300	400	500	650	800	1000
$\theta_{sa}$ (°C/W)	1.21	1.05	0.91	0.84	0.78	0.72	0.67	0.64

1. Ducted airflow through the heatsinks.

### Air Velocity Specifications

These specifications are recommended for a typical configuration:

150 LFM @ 30 °C up to 2,000 feet, altitude, maximum

300 LFM @ 40 °C up to 10,000 feet, altitude, maximum

#### *Case Temperature Measuring Method*

The relationship between case temperature and junction temperature is described in the following thermal equation.

If  $T_c$  is known, then  $T_j$  can be calculated:

$$T_j = T_c + (P_d \times \theta_{jc})$$

*Note: Testing is done with the worst-case power draw, software loading, and ambient air temperature.*

There is good tracking between the case temperature and the heatsink temperature.

#### *Heatsink Temperature Measuring Method*

Measuring the heatsink temperature is sometimes easier than measuring the case temperature. This method provides accurate results for most designs. If the heatsink temperature ( $T_s$ ) is known then the following thermal equation can be used to estimate the junction temperature:

$$T_j = T_s + [P_d (\theta_{jc} + \theta_{cs})]$$

## JTAG TESTABILITY

The UltraSPARC™-II, 400 MHz CPU, 2.0 Mbyte E-cache module, (SME5222AUPA-400), implements the IEEE 1149.1 standard to aid in board level testing. Boundary Scan Description Language (BSDL) files are available for all the active devices on the module, except the clock buffer.

### AC Characteristics - JTAG Timing

Symbol	Parameter	Signals	Conditions	400 MHz CPU 10 MHz TCK			Units
				Min	Typ	Max	
$t_w(\overline{\text{TRST}})$	Test reset pulse width	$\overline{\text{TRST}}^{[1]}$	–	–	–	–	ns
$t_{\text{SU}}(\text{TDI})$	Input setup time to TCK	TDI	–	–	3	–	ns
$t_{\text{SU}}(\text{TMS})$	Input setup time to TCK	TMS	–	–	4	–	ns
$t_{\text{H}}(\text{TDI})$	Input hold time to TCK	TDI	–	–	1.5	–	ns
$t_{\text{H}}(\text{TMS})$	Input hold time to TCK	TMS	–	–	1.5	–	ns
$t_{\text{PD}}(\text{TDO})$	Output delay from TCK <sup>[2]</sup>	TDO	$I_{\text{OL}} = 8 \text{ mA}$	–	6	–	ns
$t_{\text{OH}}(\text{TDO})$	Output hold time from TCK <sup>[2]</sup>	TDO	$I_{\text{OH}} = -4 \text{ mA}$ $C_{\text{L}} = 35 \text{ pF}$ $V_{\text{LOAD}} = 1.5\text{V}$	3	–	–	ns

1.  $\overline{\text{TRST}}$  is an asynchronous reset.
2. TDO is referenced from falling edge of TCK.

## JTAG (IEEE 1149.1) TIMING

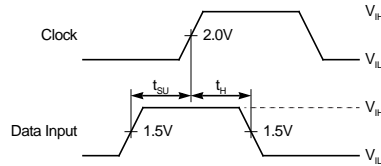


Figure 10. Voltage Waveforms - Setup and Hold Times

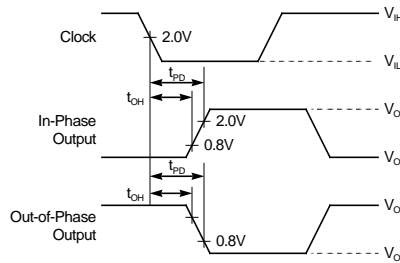
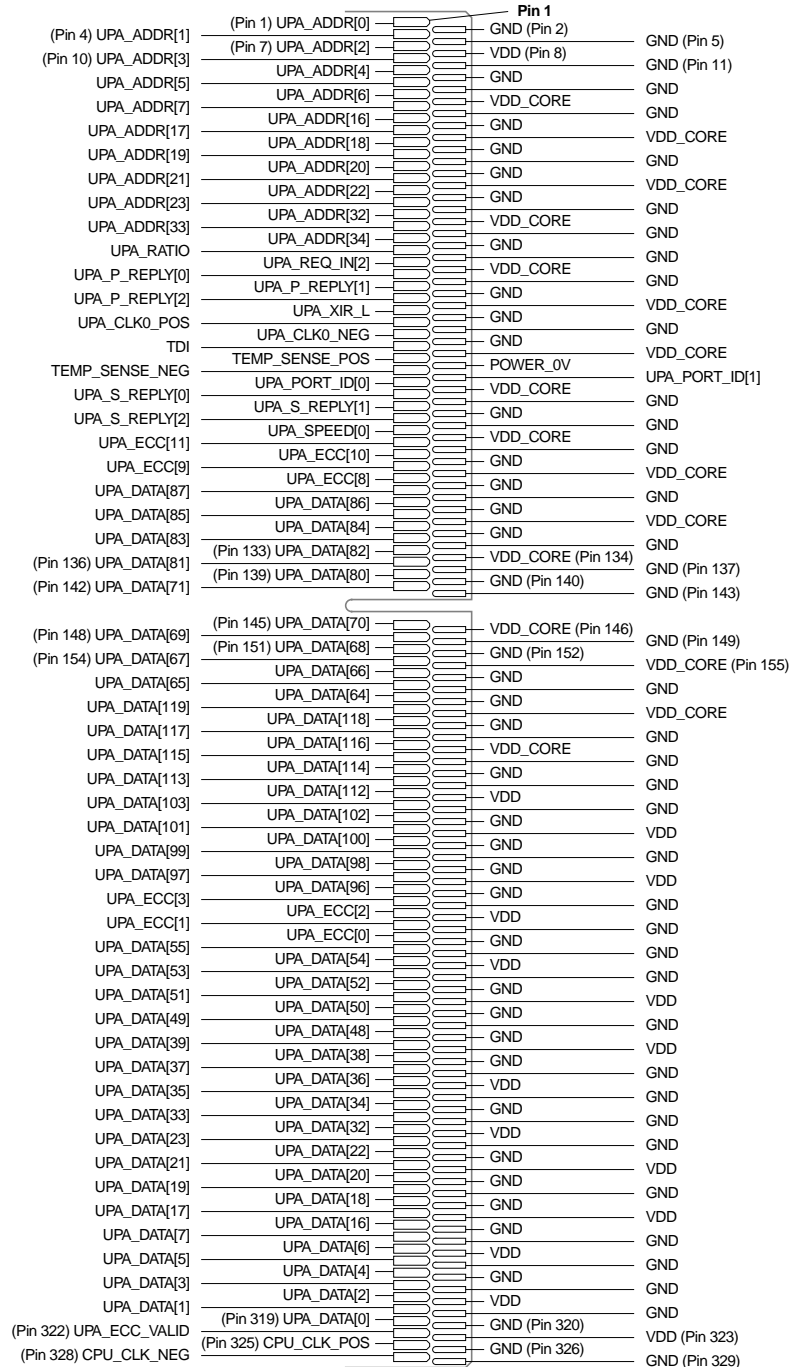


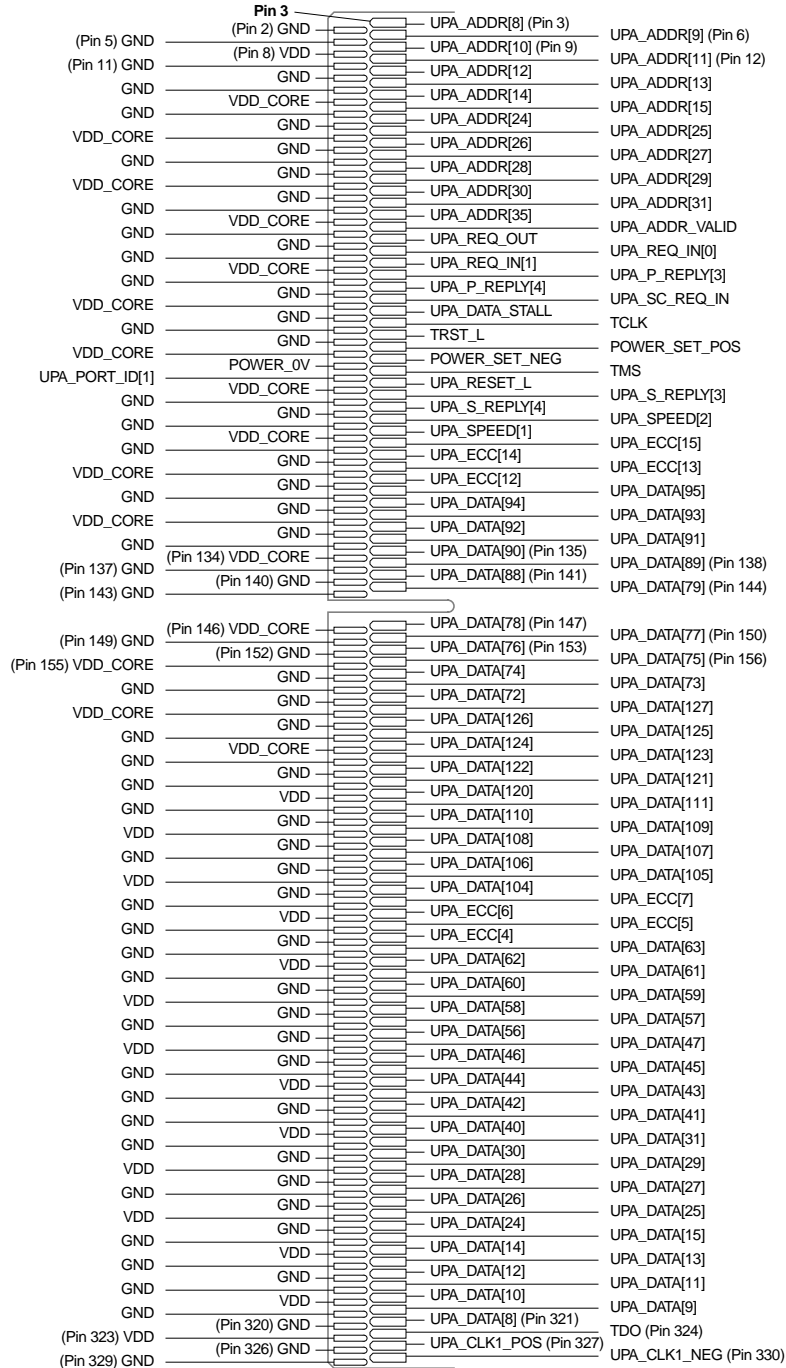
Figure 11. Voltage Waveforms - Propagation Delay Times



## UPA CONNECTOR PIN ASSIGNMENTS (TOP VIEW)



## UPA CONNECTOR PIN ASSIGNMENTS (BOTTOM VIEW)



**STORAGE AND SHIPPING SPECIFICATIONS**

Parameter	Conditions	Value			Unit
		Min.	Typ.	Max	
Temperature	Ambient	-40	–	90	°C
Temperature ramp	Ambient	–	–	10	°C/min.
Shock (shipping) - single module package	Drop height on to any edge, corner, or side of shipping box	–	–	21	inches
Shock(shipping) - multi-module package	Drop height on to any edge, corner, or side of shipping box	–	–	18	inches

**HANDLING CPU MODULES**

**CAUTION:** Handle a module by carefully holding it by its edges and by the large CPU heatsink. Do not bump or handle the SRAM heatsinks because this action can cause unseen damage to the solder connections. Always handle modules and other electronic devices in an ESD-controlled environment.

*UltraSPARC™-II CPU Module  
400 MHz CPU, 2.0 MB E-Cache*

**SME5222AUPA-400**

## ORDERING INFORMATION <sup>[1]</sup>

Part Number	CPU Speeds	Description
SME5222AUPA-400	400 MHz CPU	The UltraSPARC™-II, 400 MHz CPU Module, features the UltraSPARC-II CPU at 400 MHz, with a 2.0 MB external cache, and two UDB-II data buffer ASICs.

1. To order the data sheet for this device use the document part number: 805-6389-04

## DOCUMENT REVISION HISTORY

Date	Document No.	Change
July 1999	805-6389-04	This module is designed using the the UltraSPARC™-II, 400 MHz CPU, revision 3.x. See page 9, "Module Clocks," for changes effecting this version of the module.
May 1999	805-6389-03 Preliminary Version	Re-organization of the datasheet and update of specifications.
February 1999	805-6389-02 Preliminary Version	New section concerning the System Timing and Thermal Specifications. Revised specifications for DC characteristics and module power consumption.
December 1998	805-6389-01 Advanced Version	A pre-release document; used with engineering samples of the UltraSPARC™-II, 400 MHz CPU, 2.0 Mbyte E-cache module,.

SME5222AUPA-400



THE NETWORK IS THE COMPUTER™

Sun Microsystems, Inc.

901 San Antonio Road

Palo Alto, CA 94303-4900 USA

800/681-8845

[www.sun.com/microelectronics](http://www.sun.com/microelectronics)

©1999 Sun Microsystems, Inc. All Rights reserved.

THE INFORMATION CONTAINED IN THIS DOCUMENT IS PROVIDED "AS IS" WITHOUT ANY EXPRESS REPRESENTATIONS OF WARRANTIES. IN ADDITION, SUN MICROSYSTEMS, INC. DISCLAIMS ALL IMPLIED REPRESENTATIONS AND WARRANTIES, INCLUDING ANY WARRANTY OF MERCHANTABILITY, FITNESS FOR A PARTICULAR PURPOSE, OR NON-INFRINGEMENT OF THIRD PARTY INTELLECTUAL PROPERTY RIGHTS.

This document contains proprietary information of Sun Microsystems, Inc. or under license from third parties. No part of this document may be reproduced in any form or by any means or transferred to any third party without the prior written consent of Sun Microsystems, Inc.

Sun, Sun Microsystems, the Sun Logo, Ultra, and VIS are trademarks or registered trademarks of Sun Microsystems, Inc. in the United States and other countries. All SPARC trademarks are used under license and are trademarks or registered trademarks of SPARC International, Inc. in the United States and other countries. Products bearing SPARC trademarks are based upon an architecture developed by Sun Microsystems, Inc.

The information contained in this document is not designed or intended for use in on-line control of aircraft, aircraft navigation or aircraft communications; or in the design, construction, operation or maintenance of any nuclear facility. Sun disclaims any express or implied warranty of fitness for such uses.

Part Number: 805-6389-04



## Artisan Technology Group is your source for quality new and certified-used/pre-owned equipment

- FAST SHIPPING AND DELIVERY
- TENS OF THOUSANDS OF IN-STOCK ITEMS
- EQUIPMENT DEMOS
- HUNDREDS OF MANUFACTURERS SUPPORTED
- LEASING/MONTHLY RENTALS
- ITAR CERTIFIED SECURE ASSET SOLUTIONS

### SERVICE CENTER REPAIRS

Experienced engineers and technicians on staff at our full-service, in-house repair center

### *InstraView*<sup>SM</sup> REMOTE INSPECTION

Remotely inspect equipment before purchasing with our interactive website at [www.instraview.com](http://www.instraview.com) ↗

### WE BUY USED EQUIPMENT

Sell your excess, underutilized, and idle used equipment. We also offer credit for buy-backs and trade-ins. [www.artisanng.com/WeBuyEquipment](http://www.artisanng.com/WeBuyEquipment) ↗

### LOOKING FOR MORE INFORMATION?

Visit us on the web at [www.artisanng.com](http://www.artisanng.com) ↗ for more information on price quotations, drivers, technical specifications, manuals, and documentation

**Contact us:** (888) 88-SOURCE | [sales@artisanng.com](mailto:sales@artisanng.com) | [www.artisanng.com](http://www.artisanng.com)