



Artisan Technology Group is your source for quality new and certified-used/pre-owned equipment

- FAST SHIPPING AND DELIVERY
- TENS OF THOUSANDS OF IN-STOCK ITEMS
- EQUIPMENT DEMOS
- HUNDREDS OF MANUFACTURERS SUPPORTED
- LEASING/MONTHLY RENTALS
- ITAR CERTIFIED SECURE ASSET SOLUTIONS

SERVICE CENTER REPAIRS

Experienced engineers and technicians on staff at our full-service, in-house repair center

*InstraView*SM REMOTE INSPECTION

Remotely inspect equipment before purchasing with our interactive website at www.instraview.com ↗

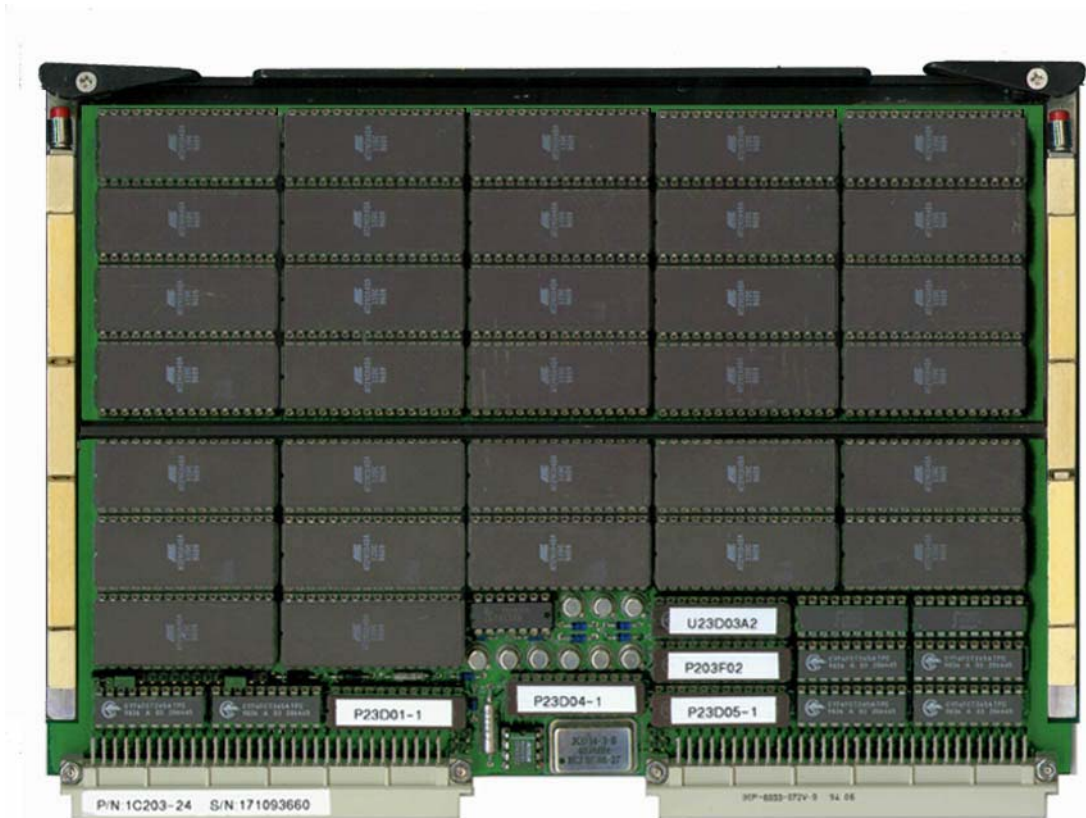
WE BUY USED EQUIPMENT

Sell your excess, underutilized, and idle used equipment. We also offer credit for buy-backs and trade-ins. www.artisanng.com/WeBuyEquipment ↗

LOOKING FOR MORE INFORMATION?

Visit us on the web at www.artisanng.com ↗ for more information on price quotations, drivers, technical specifications, manuals, and documentation

Contact us: (888) 88-SOURCE | sales@artisanng.com | www.artisanng.com



- **Up to 4 Memory Banks**
- **Each Bank Supports up to 4MB SRAMs, EPROMs, EEPROMs, Flash Memory**
- **Full 32-bit VMEbus**
- **Interface (ANSI/IEEE 1014-1987)**
- **3 Ruggedization Levels (Full MIL to Commercial)**
- **All Ruggedization Levels 100% S/W Compatible**
- **Up to 16MB Total Memory**
- **On-Board Programming for EEPROMs, Flash Memory**
- **On-Board Battery for Data Retention**

Aitech Defense Systems Inc.

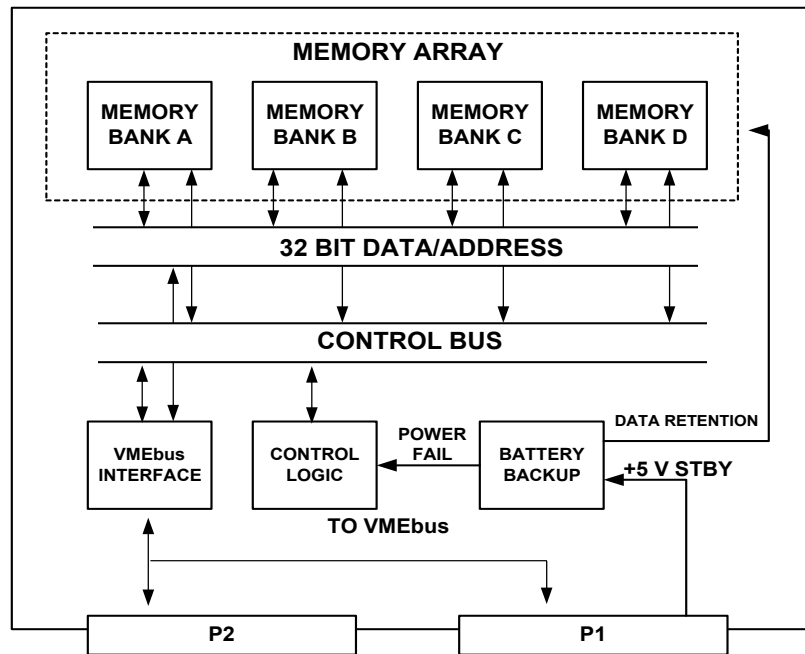
A member of the Ai-Technology Group

3080 Olcott Street, Suite 105A, Santa Clara, CA 95054

Tel: (408) 980-6200 Fax: (408) 980-6161 e-mail: sales@rugged.com web: www.rugged.com

Overview

The Aitech C203 VMEbus Memory Board is a multi-purpose memory board designed to support a combination of today's most advanced memory devices, all on a single board. The C203 is divided into 4 banks, each of which may be independently configured with up to 4MB of SRAM, EPROM, EEPROM or FLASH Memory devices, for a total memory capacity of 16MB. Access times and base addresses (within a 16MB page) may also be set independently, per bank.



C203 Block Diagram

Functional Features

Memory Configuration

Each memory bank may be configured with up to 8 32-pin JEDEC devices, organized in 4 pairs. Access is provided to 16 or 32-bit data, as follows:

- For 32-bit memory access, each pair is connected to a different byte of the internal 32-bit wide data bus.
- For 16-bit memory access via the VMEbus, the upper word is automatically swapped to the lower word.

A set of jumpers on each memory bank designates the memory type used. An additional jumper selects the retention supply voltage from the main 5 V power source or from the external battery back-up.

VMEbus Interface

The C203 board contains Programmable Array Logic (PAL) to address memory via the 32-bit VMEbus interface (ANSI/IEEE 1014-1987). This allows the board to be configured within the full 4GB VMEbus address range, and offers support for A32/A24, D32/D16 transfers. A different time period may be defined per bank for data acknowledge delay, enabling each bank to use components with different access times.

Geographical Addressing

Two methods are provided for performing geographical addressing on Aitech's C203.

Either standard geographical addressing may be used, factory-set by means of on-board jumpers, or optionally, 4 pins on the VMEbus J2 connector may be programmed to select the board's start address. This slot-dependent option permits multiple, identical boards to reside on a single backplane.



Battery Backup

The C203 is equipped with on-board nickel cadmium battery for data retention. The board uses high temperature cell. The board's write-protection circuitry makes sure that the SRAM memory will not be erroneously overwritten during the switch between power and battery operation. The write-protection circuitry disables any write to memory when the voltage supplied to the board is below the VMEbus specification. As an alternative, memory devices may optionally be powered from the +5V STBY line on the VMEbus. This line must be connected to the VCC source during normal operation and to an off-board battery source during power failure and power-off conditions.

Specifications

Memory

- 4 banks, each configurable with a different memory type (SRAM, EPROM, EEPROM or Flash Memory)
- Up to 16MB total memory
- 8 JEDEC standard 32-pin devices per bank

VMEbus Interface

- 32-bit VMEbus interface
- (ANSI/IEEE 1014-1987)
- Supports A32/A24, D32/D16, BLT transfers

Flash Features

- 5 V programming (no 12 V VPP required)
- Supports 5 V AMD and Atmel devices
- Write-protect capability
- Sector-based programming and erasing

Ruggedization

The C203 Board is available in 3 levels of ruggedization to meet all requirements: from development (Series-100) to full MIL-SPEC (Series-500). To expedite the transition from development to deployment, all ruggedization levels are 100% software compatible.

Power Requirements

Power requirements vary widely, depending upon the board's configuration, as follows:

+5 V ($\pm 5\%$)	0.8 A (typ)	1.5 A (max)
+12 V ($\pm 5\%$)	None	None
-12 V ($\pm 5\%$)	None	None

Ruggedization

3 levels:

- Series-400, military rugged
- Series-200, industrial rugged
- Series-100, commercial/development
- Available with IEEE 1101.2 compatible heatsinks or forced air-cooled

Memory Data Retention

- Battery backup: +5 V STBY
- NiCad rechargeable battery backup
- VMEbus: 5V STBY

Environmental Features

Please refer to the Aitech ruggedization datasheet.

For more information about the C203 or any Aitech product, please contact Aitech Defense Systems sales department at (408) 980-6200.

All names, products, and/or services mentioned are trademarks or registered trademarks of their respective holders. All information contained herein is subject to change without notice.

C203T0203R22

Aitech Defense Systems Inc.

A member of the Ai-Technology Group

3080 Olcott Street, Suite 105A, Santa Clara, CA 95054

Tel: (408) 980-6200 Fax: (408) 980-6161 e-mail: sales@rugged.com web: www.rugged.com



Artisan Technology Group is your source for quality new and certified-used/pre-owned equipment

- FAST SHIPPING AND DELIVERY
- TENS OF THOUSANDS OF IN-STOCK ITEMS
- EQUIPMENT DEMOS
- HUNDREDS OF MANUFACTURERS SUPPORTED
- LEASING/MONTHLY RENTALS
- ITAR CERTIFIED SECURE ASSET SOLUTIONS

SERVICE CENTER REPAIRS

Experienced engineers and technicians on staff at our full-service, in-house repair center

*InstraView*SM REMOTE INSPECTION

Remotely inspect equipment before purchasing with our interactive website at www.instraview.com ↗

WE BUY USED EQUIPMENT

Sell your excess, underutilized, and idle used equipment. We also offer credit for buy-backs and trade-ins. www.artisanng.com/WeBuyEquipment ↗

LOOKING FOR MORE INFORMATION?

Visit us on the web at www.artisanng.com ↗ for more information on price quotations, drivers, technical specifications, manuals, and documentation

Contact us: (888) 88-SOURCE | sales@artisanng.com | www.artisanng.com