



Artisan Technology Group is your source for quality new and certified-used/pre-owned equipment

- FAST SHIPPING AND DELIVERY
- TENS OF THOUSANDS OF IN-STOCK ITEMS
- EQUIPMENT DEMOS
- HUNDREDS OF MANUFACTURERS SUPPORTED
- LEASING/MONTHLY RENTALS
- ITAR CERTIFIED SECURE ASSET SOLUTIONS

SERVICE CENTER REPAIRS

Experienced engineers and technicians on staff at our full-service, in-house repair center

*InstraView*SM REMOTE INSPECTION

Remotely inspect equipment before purchasing with our interactive website at www.instraview.com ↗

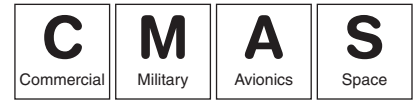
WE BUY USED EQUIPMENT

Sell your excess, underutilized, and idle used equipment. We also offer credit for buy-backs and trade-ins. www.artisanng.com/WeBuyEquipment ↗

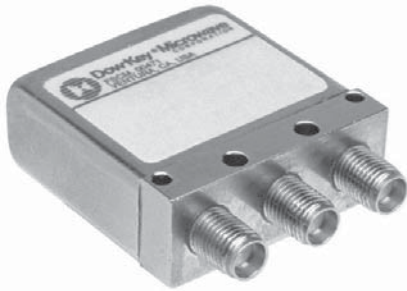
LOOKING FOR MORE INFORMATION?

Visit us on the web at www.artisanng.com ↗ for more information on price quotations, drivers, technical specifications, manuals, and documentation

Contact us: (888) 88-SOURCE | sales@artisanng.com | www.artisanng.com



RF Characteristics



Frequency GHz	VSWR (max)	Isolation dB (min)	Ins. Loss dB (max)
0-1	1.10	85	0.10
1-4	1.15	80	0.15
4-8	1.20	70	0.20
8-12	1.30	65	0.30
12-18	1.35	60	0.35
*18-26.5	1.50	55	0.50

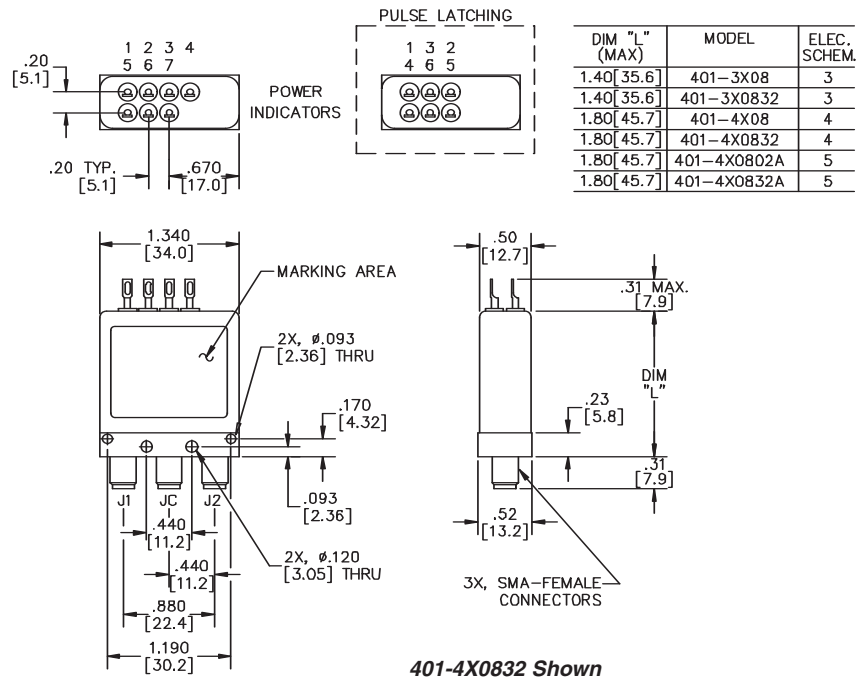
* "K" option only. Ex: 401K-3208
 Note: Typical performance dependent on selected options

401 Series SPDT Latching, SMA

Specifications

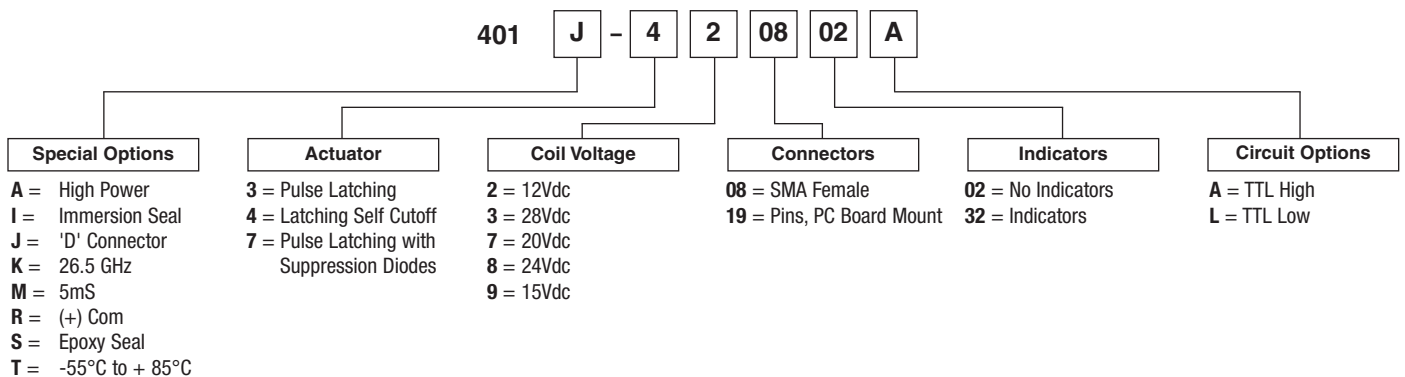
- Operating Voltage:**
 (across temperature range)
 12 Vdc (11-14 Vdc)
 28 Vdc (24-32 Vdc)
- Coil Current (max @ nom.Vdc & 20°C):**
 12 Vdc 230 mA
 28 Vdc 120 mA
- Switching Time:**
 15 mS maximum
- Operating Temperature:**
 -25°C to +65°C (Standard)
 -55°C to +85°C (Extended "T" Option)
- Mechanical Life, Cycles:**
 1,000,000 minimum
- Vibration, Operating:**
 10G RMS, 20-2000 Hz
- Mechanical Shock, Non-Operating:**
 50G, 1/2 Sine, 11mS
- Nominal Weight:**
 2.5 oz., (71g.)

Mechanical



Part Number Selection

For Electrical Schematic see page # 1-5





Artisan Technology Group is your source for quality new and certified-used/pre-owned equipment

- FAST SHIPPING AND DELIVERY
- TENS OF THOUSANDS OF IN-STOCK ITEMS
- EQUIPMENT DEMOS
- HUNDREDS OF MANUFACTURERS SUPPORTED
- LEASING/MONTHLY RENTALS
- ITAR CERTIFIED SECURE ASSET SOLUTIONS

SERVICE CENTER REPAIRS

Experienced engineers and technicians on staff at our full-service, in-house repair center

*InstraView*SM REMOTE INSPECTION

Remotely inspect equipment before purchasing with our interactive website at www.instraview.com ↗

WE BUY USED EQUIPMENT

Sell your excess, underutilized, and idle used equipment. We also offer credit for buy-backs and trade-ins. www.artisanng.com/WeBuyEquipment ↗

LOOKING FOR MORE INFORMATION?

Visit us on the web at www.artisanng.com ↗ for more information on price quotations, drivers, technical specifications, manuals, and documentation

Contact us: (888) 88-SOURCE | sales@artisanng.com | www.artisanng.com