



Artisan Technology Group is your source for quality new and certified-used/pre-owned equipment

- FAST SHIPPING AND DELIVERY
- TENS OF THOUSANDS OF IN-STOCK ITEMS
- EQUIPMENT DEMOS
- HUNDREDS OF MANUFACTURERS SUPPORTED
- LEASING/MONTHLY RENTALS
- ITAR CERTIFIED SECURE ASSET SOLUTIONS

SERVICE CENTER REPAIRS

Experienced engineers and technicians on staff at our full-service, in-house repair center

*InstraView*SM REMOTE INSPECTION

Remotely inspect equipment before purchasing with our interactive website at www.instraview.com ↗

WE BUY USED EQUIPMENT

Sell your excess, underutilized, and idle used equipment. We also offer credit for buy-backs and trade-ins. www.artisanng.com/WeBuyEquipment ↗

LOOKING FOR MORE INFORMATION?

Visit us on the web at www.artisanng.com ↗ for more information on price quotations, drivers, technical specifications, manuals, and documentation

Contact us: (888) 88-SOURCE | sales@artisanng.com | www.artisanng.com



Two Position Microelectric Valve Actuator *(Control module serial numbers starting with EM2C)**

The microelectric actuator consists of a control module, a stepper motor/gearbox assembly, a manual controller (use is optional), a universal AC input (100-240 VAC, 50-60 Hz) to 24 VDC power supply, and the interconnecting cables. The actuator is self-adjusting from 30° to 90° – no valve alignment is necessary. Once a valve is installed by tightening the clamp screw, the actuator senses the positive stops within the valve and memorizes them in the first four moves.

The time it takes a valve to cycle from Position A to Position B depends on the amount of rotation involved. To determine the number of degrees in the angle of rotation, divide 360° by the number of ports in the valve. Then consult the table at right.

	EQ	EH	EP	ED	ET
36°	60	70	90	140	330
45°	70	85	115	175	410
60°	85	110	150	235	500
90°	115	145	235	300	710

Switching times in milliseconds

Installation and Use

Getting Started

Figure 1 on the next page shows how to connect the various actuator components. There are four connectors on the control module, keyed and sized to prevent incorrect connection.

Cable and Connector Functions

Input power (20-30 VDC, with 24-28 VDC preferred) is supplied through a coaxial connector: the inner pin is + voltage and the outer pin is ground. The average DC current requirement is 2.5 amps. Standby current draw is 60 milliamps. The actuator should not share a power supply with other noise-sensitive electronics, as the high current draw can cause problems.

Motor driver output is through the five-pin connector: pins 1, 2, 4, and 5 carry the stepper motor phase drive signals. Pin 3 is grounded and tied to the cable shield to reduce electrical noise.

A three-pin connector is used for the *RS-232 interface*: pin 1 is ground, pin 2 is transmit to the host computer, and pin 3 is receive from the host. (A discussion on serial control of the actuator starts on page 3.)

Pin #	Signal Description
Input Power Cable	
inner	+20-30 VDC power
outer	Ground
Motor Driver Output Cable	
1	Phase B
2	Phase B
3	Ground
4	Phase A
5	Phase A

The ten-pin connector is for the *manual controller* or for *digital input/output signals*; the actuator can be controlled by *either* or *both*. The manual controller has a through port, so an additional cable can provide simultaneous control by an external system. (Digital control of the actuator is discussed on page 3.)

* Serial numbers are on the underside of the control module. (**Figure 2**) Actuators of this series are further identified by a metallic control module housing. If your actuator control module has a plastic housing and a serial number starting with E2CA, please refer to Technical Note 421.

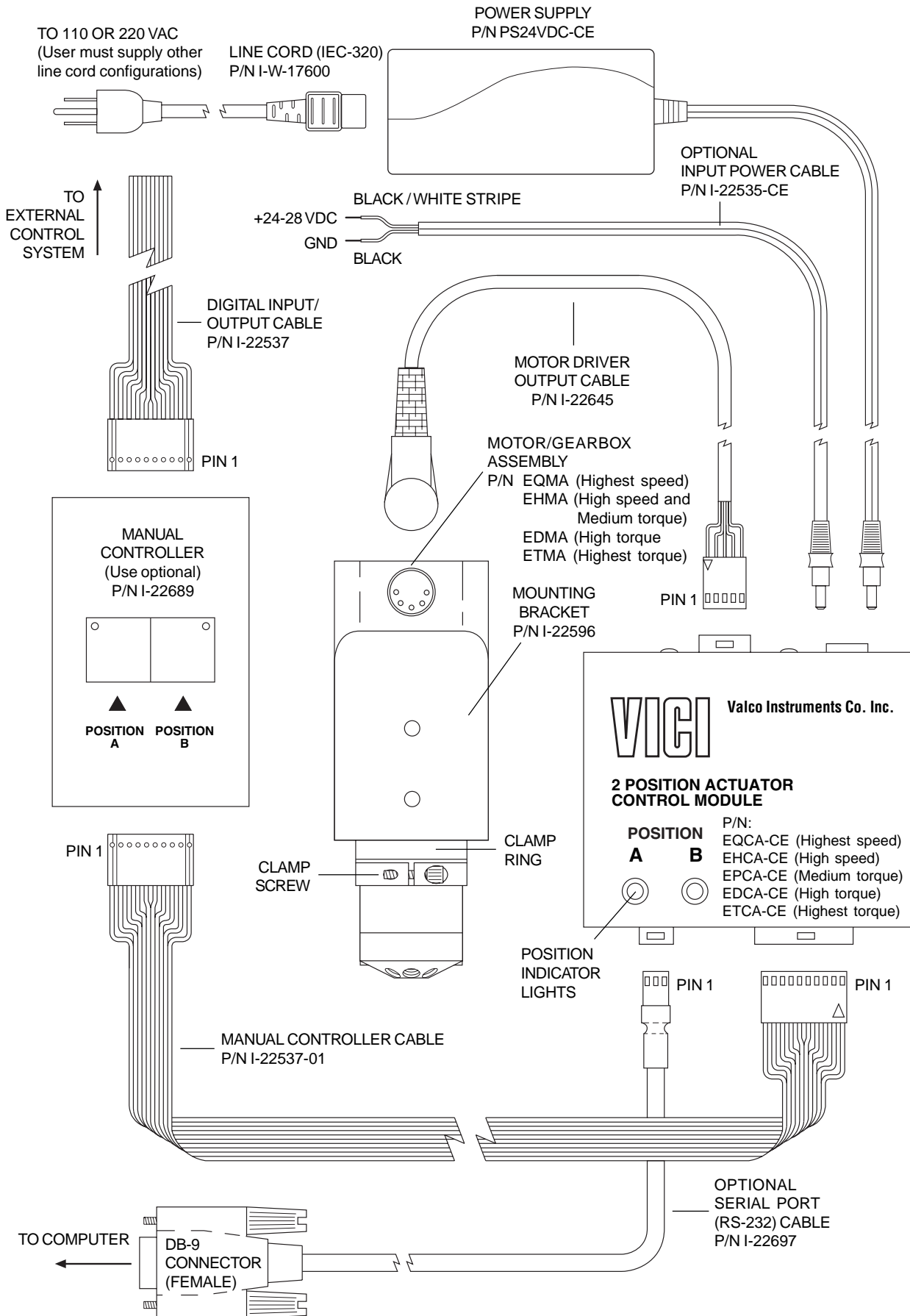


Figure 1: Actuator and controller connections

Mounting

The actuator should be oriented so that any potential leakage of liquid from the valve or fittings flows away from rather than into the actuator. (below) **Figure 2** provides the mounting dimensions for the stepper motor/gearbox assembly.

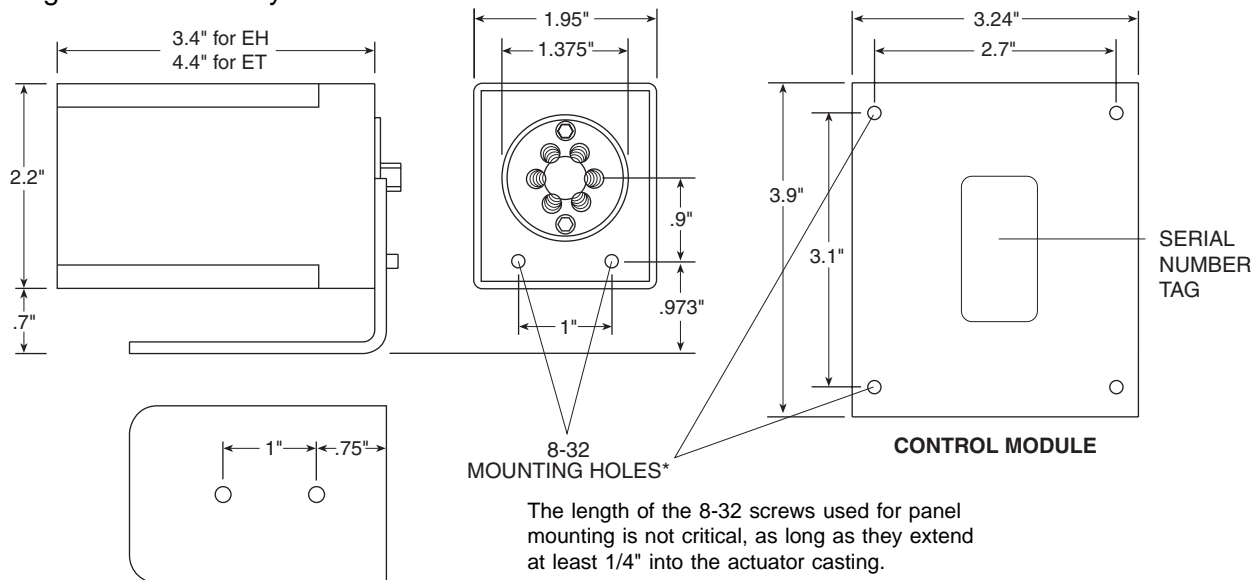
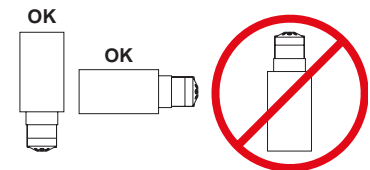


Figure 2

Initialization

Any time a valve is removed and reinstalled, the actuator must be initialized by following these steps:

1. Cycle the actuator twice with no valve, or with either end of the motor driver output cable unplugged.
2. Plug the cable back in, or put the valve back in the clamp ring. Orient the valve as desired and tighten the clamp screw.

For the next few cycles the actuator will move at half its normal speed while it looks for the valve stops. Once it determines the proper stroke, the actuator will return to normal speed. If you don't hear a change in speed, make sure that the clamp screw is tight.

Digital Control of the Actuator

Digital Communication Protocol

Pins 1 and 2 provide ground and +5 volt outputs, respectively; pins 3 and 4 are TTL outputs for Position A and Position B, and are considered asserted at 0 volts and deasserted at 5 volts. (This is sometimes referred to as "negative true logic".) Pins 5 and 6 are digital inputs for switching to Position A and Position B. They can be driven either by 5 volt TTL/CMOS logic or by contact closure to ground (Pin 1). Isolated contact closure outputs are available at Pins 7 and 8 for Position A and Pins 9 and 10 for Position B. If there is a positioning error due to valve sticking, clamp ring slippage, etc., the output is set to "0" (all lines high for a negative true output).

Digital I/O Cable	
Pin #	Signal Description
1	Ground
2	+5 VDC
3	Position A output
4	Position B output
5	Position A input
6	Position B input
7	Position A relay contact output
8	Position A relay contact output
9	Position B relay contact output
10	Position B relay contact output

Input Modes

Two input mode options are provided to expand the control flexibility of the actuator.

Mode 1

In mode 1 (default) the digital inputs are set to be compatible with the standard Valco AC actuator. Asserting input pin 5 causes the actuator to go to Position A, and asserting input pin 6 sends it to

Position B. Operation in this mode requires two relays, as shown in the illustration at right. Relays should be asserted (turned on) for a minimum of 30 msec and deasserted (turned off) for a minimum of 30 msec before the next assertion.

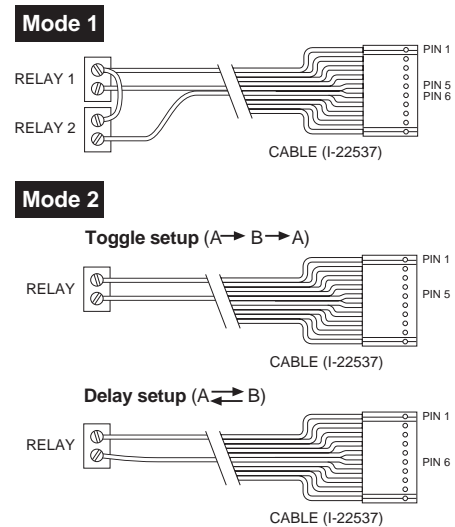
Mode 2

Operation in this mode requires one relay. In mode 2, asserting pin 5 causes the actuator to toggle from the current to the opposite position. Asserting pin 6 causes the actuator to toggle to the opposite position, delay for a preset period of time (the default is 100 ms), and toggle back to the original position.

Mode Setup

To set the actuator mode, connect it to an RS-232 serial port as described in the section below, **Establishing Serial Communications**. To see the current setting, enter the **SM** command as shown in the Serial Commands chart on page 5. To change the mode, enter **SMn**, where *n* is 1 or 2. The **DT** command displays the current delay time setting. This setting can be changed with the **DTn** command, where *n* is the desired time from 0 to 65,000 milliseconds.

Mode settings are saved when the power is off.



Serial Control of the Actuator

Establishing Serial Communications

Items required:

- Valco cable assembly I-22697 or equivalent
- Terminal emulation or communication software such as QModem, ProComm, or Windows® Terminal or HyperTerminal, running on a PC-compatible computer

1. Connect the I-22697 cable to the actuator as indicated in **Figure 1**, and set the serial port at 9600 baud, no parity, 8 data bits, 1 stop bit, no hardware or software handshaking.
2. With the software running, check the bi-directional communication link between the keyboard/monitor of the computer and the serial port by typing **VR<enter>**. If the link is functioning and an actuator ID has not been set, a message similar to the following will appear on your monitor, giving the program number and date of the actuator firmware.

I-PD-ETX88RXX (XX = revision number)
2 - Aug - 99

If there is no response, it is possible that the ID has already been set. To force a response from a device with an unknown ID, type ***VR<enter>**. The asterisk is a substitute ID wild card which will elicit a response from all devices on line, no matter what their ID is.

Programmer's note: To permit multiple actuators to share the same computer serial port, the actuator serial port output is deactivated when not in use. At the beginning of a message the first character transmitted is sometimes lost due to a framing error. To avoid this, a NULL character (zero value byte) is sent at the beginning of each message. Most terminal programs will ignore the NULL character, but custom software may require a character trap to delete it.

Serial Communication Protocol

Serial communication is based on an ASCII string protocol. Carriage return (OD hex) characters parse the communications by defining the end of each command. Line feed characters (OA hex) are ignored. A three-pin connector is used for the RS-232 interface: pin assignments are indicated at right. Software flow control (Xon/Xoff) and hardware handshaking are not supported.

Serial Port (RS-232) Cable	
Pin #	Signal Description
1	Ground
2	Transmit to host
3	Receive from host

Serial Commands	
CP <enter>	Displays the current actuator position
CW <enter>	Sends the actuator to Position A
CC <enter>	Sends the actuator to Position B
GO <i>n</i> <enter>	Sends the actuator to Position <i>n</i> , where <i>n</i> is A or B
TO <enter>	Toggles the actuator to the opposite position
TT <enter>	Toggles the actuator to the opposite position, waits a preset delay time, then rotates back to the original position.
ID <enter>	Displays the current device ID setting
ID <i>n</i> <enter>	Sets the device ID to value <i>n</i> , from 0 to 9 NOTE: When the ID feature is enabled, all commands to the device must be prefaced by the ID number. Entering ID* disables this feature (discussed below.)
ID* <enter>	Clears the ID variable
SB <enter>	Displays the current baud rate
SB <i>nnnn</i> <enter>	Sets the baud rate to 1200, 2400, 4800, 9600 (default), 14400, 19200, 28800, or 38400. The parity setting, number of data bits, and number of stop bits cannot be changed. (See section entitled Setting a New Baud Rate on the next page)
SO <i>nnnn</i> <enter>	Turns off the position outputs after a delay, set in milliseconds to the closest 5 ms interval, from 0 to 30,000 ms. The outputs are <i>always on</i> (SO=0) by default.
SM <enter>	Displays the current digital input mode (See section entitled Digital Control of the Actuator , subhead Input Modes)
SM <i>n</i> <enter>	Sets the digital input mode to Mode <i>n</i> , where <i>n</i> is 1 or 2
DT <enter>	Displays the current delay time in milliseconds
DT <i>n</i> <enter>	Sets the delay time from 0 to 65,000 milliseconds NOTE: The total delay time equals $n = 2$ milliseconds
VR <enter>	Displays the part number and date of the firmware
/? <enter>	Displays list of valid commands
IN <enter>	Starts a re-initialization sequence

With the software-settable device “ID” feature enabled, the serial port output (transmit line) of the actuator is disabled (high impedance). Thus, as many as ten actuators can be controlled from a single host serial port for a temporary multidrop application. For permanent multidrop applications, the RS-485 option is the factory-recommended solution. The table above describes and explains all the commands available.

Using the Device ID Feature

Actuators are shipped from the factory with this feature disabled. When it’s enabled, the actuator responds only to commands which begin with the correct ID prefix, allowing up to 10 actuators to be controlled from one serial port. A single command can be broadcast to all actuators by using an asterisk (*) as the command prefix. *Note:* Any broadcast command which elicits a response from the serial port (such as *VR or *ID1) will receive a combined and unintelligible response.

To set the ID of an actuator, connect it to an RS-232 serial port as shown in **Figure 1** on page 2. **Caution:** When installing or replacing actuators on a shared serial port, make sure that no two devices have been set to the same ID number.

1. Remove all of the actuators from the serial daisy chain except the one for which you are setting the ID.
2. Type **VR** <enter>. You should get a response giving the firmware version, indicating that serial communication with the actuator is established. If there is no response, type ***VR**<enter> to see if the ID is already set. If there is still no response, check the cabling and connections.
3. To set an ID, type **IDn**<enter>, where *n* is the new ID, from 0 to 9.
To change an ID, type **iIDn**<enter>, where *i* is the current ID and *n* is the new ID.
To disable the ID feature, type **iID***<enter>, where *i* is the current ID.

Setting a New Baud Rate

To permanently set a new baud rate for the actuator:

1. Establish communications with the actuator at the current baud rate.
2. Issue the command **SBnnnn** to temporarily change the baud rate to the desired rate. If the power goes down at this point, the baud rate will revert to the last permanent setting.
3. Change the host computer to the same baud rate just set in the actuator, and verify that you can establish communications.
4. Re-issue the same **SBnnnn** command you did previously (in Step 2), and the current baud will be made permanent.

RS-485 Option

Software

The RS-485 option involves three minor software adaptations to the RS-232 protocol. The first is that the ID range is extended to include the characters “A” through “Z”, with upper and lower cases treated as the same ID. The second change is that the ID is required (either numbers from 0 to 9 or letters from A to Z), and must be included in all commands. The factory-set default ID for all devices is “Z”. The third adaptation is that all commands must include a forward slash [/] as the start-of-message character.

Hardware

The RS-485 hardware includes two 3-pin connectors (**Figure 3**) used as in/out connectors for easy daisy-chaining of additional devices. Wired in parallel, the signal assignments are as follows: Pin 1 is Ground, Pin 2 is Phase B, and Pin 3 is Phase A.

The four male pins in a vertical row to the left of these connectors are jumper headers, used to add or remove terminating resistors from the communication lines. The top two and the bottom two should be jumpered when termination is required. The RS-485 hardware specifications require termination at each end of the communication line, so in a daisy-chaining application the jumpers should be removed from all the intermediate devices. The RS-485 port on the host computer or controlling device generally includes terminating resistors, so only the actuator on the end of the communication string needs to have the jumpers installed.

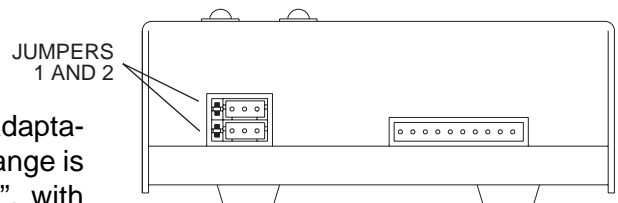


Figure 3: Control module,

North America, South America, and Australia/Oceania contact:

VICI Valco Instruments Co. Inc.
P.O. Box 55603
Houston, TX 77255
Sales: (800) 367-8424
Tech: (713) 688-9345
Fax: (713) 688-8106 valco@vici.com

Europe, Asia, and Africa contact:

VICI VICI AG International
Parkstrasse 2
CH-6214 Schenkon
Switzerland
Phone: +41 41 925 6200
Fax: +41 41 925 6201 info@vici.ch

Cheminert® and VICI® are registered trademarks of Valco Instruments Co. Inc. and VICI AG

TN-413 Rev 1/11



Artisan Technology Group is your source for quality new and certified-used/pre-owned equipment

- FAST SHIPPING AND DELIVERY
- TENS OF THOUSANDS OF IN-STOCK ITEMS
- EQUIPMENT DEMOS
- HUNDREDS OF MANUFACTURERS SUPPORTED
- LEASING/MONTHLY RENTALS
- ITAR CERTIFIED SECURE ASSET SOLUTIONS

SERVICE CENTER REPAIRS

Experienced engineers and technicians on staff at our full-service, in-house repair center

*InstraView*SM REMOTE INSPECTION

Remotely inspect equipment before purchasing with our interactive website at www.instraview.com ↗

WE BUY USED EQUIPMENT

Sell your excess, underutilized, and idle used equipment. We also offer credit for buy-backs and trade-ins. www.artisanng.com/WeBuyEquipment ↗

LOOKING FOR MORE INFORMATION?

Visit us on the web at www.artisanng.com ↗ for more information on price quotations, drivers, technical specifications, manuals, and documentation

Contact us: (888) 88-SOURCE | sales@artisanng.com | www.artisanng.com