



## Artisan Technology Group is your source for quality new and certified-used/pre-owned equipment

- FAST SHIPPING AND DELIVERY
- TENS OF THOUSANDS OF IN-STOCK ITEMS
- EQUIPMENT DEMOS
- HUNDREDS OF MANUFACTURERS SUPPORTED
- LEASING/MONTHLY RENTALS
- ITAR CERTIFIED SECURE ASSET SOLUTIONS

### SERVICE CENTER REPAIRS

Experienced engineers and technicians on staff at our full-service, in-house repair center

### *InstraView*<sup>SM</sup> REMOTE INSPECTION

Remotely inspect equipment before purchasing with our interactive website at [www.instraview.com](http://www.instraview.com) ↗

### WE BUY USED EQUIPMENT

Sell your excess, underutilized, and idle used equipment. We also offer credit for buy-backs and trade-ins. [www.artisanng.com/WeBuyEquipment](http://www.artisanng.com/WeBuyEquipment) ↗

### LOOKING FOR MORE INFORMATION?

Visit us on the web at [www.artisanng.com](http://www.artisanng.com) ↗ for more information on price quotations, drivers, technical specifications, manuals, and documentation

**Contact us:** (888) 88-SOURCE | [sales@artisanng.com](mailto:sales@artisanng.com) | [www.artisanng.com](http://www.artisanng.com)

# ULTIMA Series High-performance Mirror and Platform Mounts

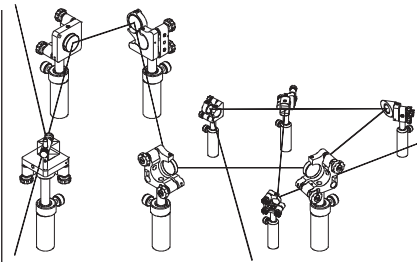
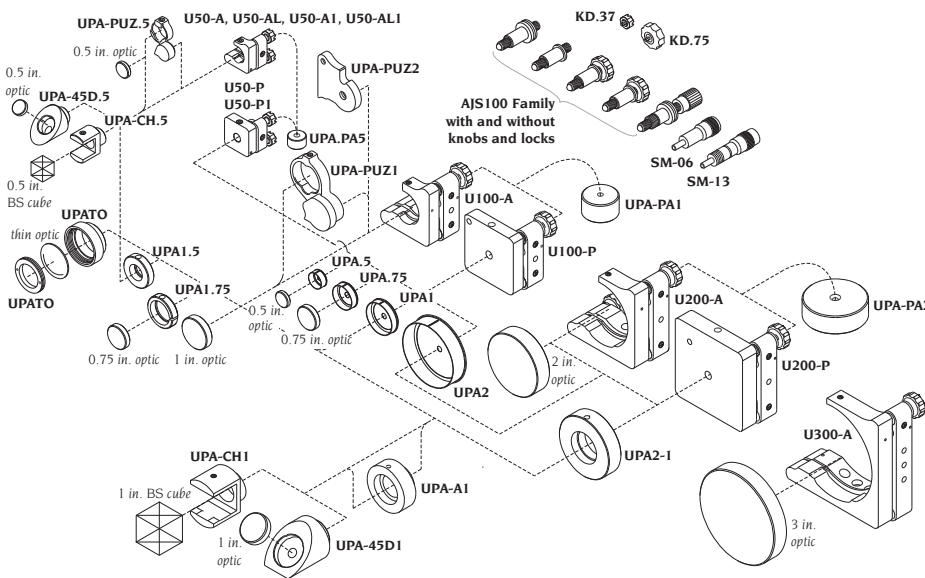


- Clear quadrant design
- Removable actuators
- Adaptors for a large variety of optics
- Platform mounts for custom optics mounting

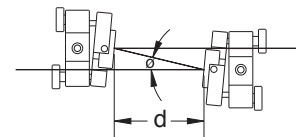
ULTIMA® Kinematic Optical Mounts are designed for demanding research, development, and industrial OEM applications requiring a stable optical positioner. They are available in aperture versions for 0.5, 1.0, 1.18, 2.0, and 3.0 in. (12.7, 25.4, 30.0, 50.8, and 76.2 mm) diameter optics, as well as platform versions in 0.5, 1.0, and 2.0 in. (12.7, 25.4, and 50.8 mm) sizes for holding mounted mirrors, prisms, or cube beamsplitters. Thick front and rear plates and optimized, stiff springs improve the long-term stability and provide greater protection against vibrations. The patented clear quadrant design exposes the edge of the optic, allowing beams to pass close to the edge of a mounted optic. Actuators can be quickly changed to accommodate a broad selection of adjustment screws, micrometers, and motorized actuators.

U50-A, U100-A, U200-A, U300-A: The -A versions, with the clear quadrant design, offer a versatile positioning system for mounting 0.5 to 3.0 in. (12.7 to 76.2 mm) diameter mirrors. Adaptors UPA1-5, UPA1-.75, and UPA2-1 allow smaller diameter 0.5, 0.75, and 1 in. (12.7, 19.05, and 25.4 mm) optics to be mounted in the U100-A and U200-A. A large array of additional accessories is available (see ULTIMA Accessories) for other optics and configurations.

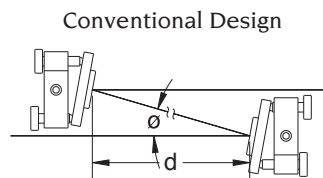
U50-P, U100-P, U200-P: When -P versions are used with the optional Adaptors UPA-PA.5, UPA-PA1, or UPA-PA2 these mounts can be converted to a horizontal tip/tilt or tip/tilt and translation post-mounted platform for prisms, cube beamsplitters, and other components. When used with the optional Mirror Holders UPA.5, UPA.75, UPA1, or UPA2, these mounts provide a stable mounting platform for 0.5 to 2 in. (12.7 to 50.8 mm) diameter mirrors.



Clear Quadrant Design



Small 'd' – Small  $\emptyset$



Conventional Design

Large 'd' – Large  $\emptyset$

The patented clear quadrant design allows a beam to pass close to the edge of a mounted optic



U50-A with KD.37 knobs



U50-A (back)

U50-A (front)

## Ordering Information

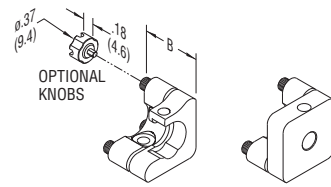
Model	Optic Diameter [in. (mm)]	Adjustment Screw Thread	Drive Type <sup>(1)</sup>	Angular Range (°)	Sensitivity <sup>(2)</sup> (arc sec)	Translation <sup>(3)</sup> [in. (mm)]
<b>0.5 in. (12.7 mm) Optical Mounts</b>						
U50-A	0.5 (12.7)	80 TPI	Allen-Key	±5	10.4	0.15 (3.8)
U50-A1	0.5 (12.7)	100 TPI	Allen-Key	±5	8.3	0.15 (3.8)
U50-AL	0.5 (12.7)	80 TPI	Allen-Key	±5	10.4	0.15 (3.8)
U50-AL1	0.5 (12.7)	100 TPI	Allen-Key	±5	8.3	0.15 (3.8)
U50-P	See adaptors	80 TPI	Allen-Key	±5	10.4	0.15 (3.8)
U50-P1	See adaptors	100 TPI	Allen-Key	±5	8.3	0.15 (3.8)
U50-PL	See adaptors	80 TPI	Allen-Key	±5	10.4	0.15 (3.8)
U50-PL1	See adaptors	100 TPI	Allen-Key	±5	8.3	0.15 (3.8)
<b>1 in. (25.4 mm) Optical Mounts</b>						
U100-A	1.0 (25.4)					
U100-A-LH	1.0 (25.4)					
U100-A2K	1.0 (25.4)	100 TPI	Knob	±7	3.8	
U100-A-LH-2K	1.0 (25.4)	100 TPI	Knob	±7	3.8	
U100-A2K-NL	1.0 (25.4)	100 TPI	Knob	±7	3.8	
U100-A2H	1.0 (25.4)	100 TPI	Locking Allen-Key	±7	3.8	
U100-A-LH-2H	1.0 (25.4)	100 TPI	Locking Allen-Key	±7	3.8	
U100-A2H-NL	1.0 (25.4)	100 TPI	Allen-Key	±7	3.8	
U100-A3K	1.0 (25.4)	100 TPI	Knob	±7	3.8	0.38 (9.7)
U100-A-LH-3K	1.0 (25.4)	100 TPI	Knob	±7	3.8	0.38 (9.7)
U100-A3K-NL	1.0 (25.4)	100 TPI	Knob	±7	3.8	0.38 (9.7)
U100-A3H	1.0 (25.4)	100 TPI	Locking Allen-Key	±7	3.8	0.38 (9.7)
U100-A-LH-3H	1.0 (25.4)	100 TPI	Locking Allen-Key	±7	3.8	0.38 (9.7)
U100-A3H-NL	1.0 (25.4)	100 TPI	Allen-Key	±7	3.8	0.38 (9.7)
U100-P	See adaptors					
U100-P2K		100 TPI	Knob	±7	3.8	
U100-P2K-NL		100 TPI	Knob	±7	3.8	
U100-P2H		100 TPI	Locking Allen-Key	±7	3.8	
U100-P3K	See adaptors	100 TPI	Knob	±7	3.8	0.38 (9.7)
U100-P3K-NL	See adaptors	100 TPI	Knob	±7	3.8	0.38 (9.7)
U100-P3H	See adaptors	100 TPI	Locking Allen-Key	±7	3.8	0.38 (9.7)
<b>1.18 in. (30 mm) Optical Mounts</b>						
U100-A-30	1.18 (30)					
<b>2 in. (50.8 mm) Optical Mounts</b>						
U200-A	2.0 (50.8)					
U200-A-LH	2.0 (50.8)					
U200-A2K	2.0 (50.8)	100 TPI	Knob	±5	2.4	
U200-A2K-NL	2.0 (50.8)	100 TPI	Knob	±5	2.4	
U200-A2H	2.0 (50.8)	100 TPI	Locking Allen-Key	±5	2.4	
U200-A3K	2.0 (50.8)	100 TPI	Knob	±5	2.4	0.38 (9.7)
U200-A3K-NL	2.0 (50.8)	100 TPI	Knob	±5	2.4	0.38 (9.7)
U200-A3H	2.0 (50.8)	100 TPI	Locking Allen-Key	±5	2.4	0.38 (9.7)
U200-P	See adaptors					
U200-P2K	See adaptors	100 TPI	Knob	±5	2.4	
U200-P2H	See adaptors	100 TPI	Locking Allen-Key	±5	2.4	
U200-P3K	See adaptors	100 TPI	Knob	±5	2.4	0.38 (9.7)
U200-P3H	See adaptors	100 TPI	Locking Allen-Key	±5	2.4	0.38 (9.7)
<b>3 in. (76.2 mm) Optical Mounts</b>						
U300-A	3.0 (76.2)					
U300-A2K	3.0 (76.2)	100 TPI	Knob	±3.5	1.8	
U300-A3K	3.0 (76.2)	100 TPI	Knob	±3.5	1.8	0.38 (9.7)

U50-P

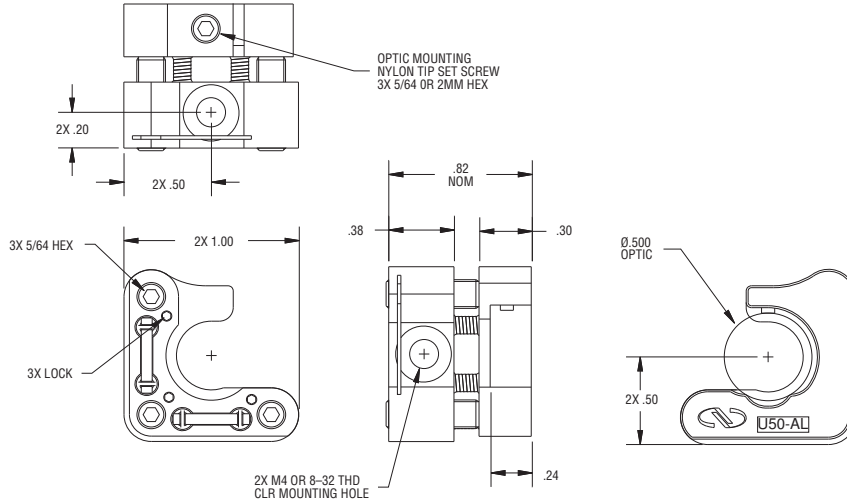


U100-P3K-NL

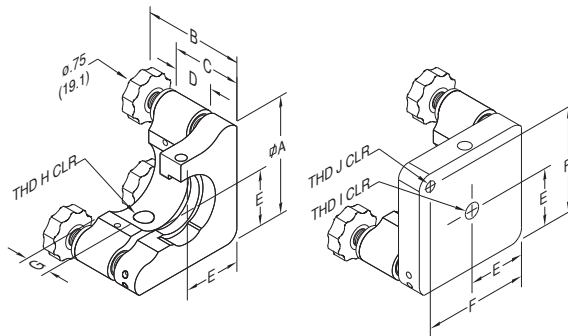
**Model U50-A and Model U50-P**



**Model U50-AL**



**Models U100/200/300-A and Models U100/200-P**



Model	Dimensions [in. (mm)]									
	A	B <sup>1</sup>	C Nominal	D	E	F	G	H	I	J
U50A	1.00 (25.4)	0.82 (20.8)	0.70 (17.8)	0.375 (9.5)	0.50 (12.7)		0.18 (4.6)	8-32 (M4)		
U100-A2*	2.00 (50.8)	1.79 (45.5)	1.14 (29.0)	0.63 (15.9)	1.00 (25.4)		0.31 (7.9)	8-32 (M4)		
U100-A3*	2.00 (50.8)	1.79 (45.5)	1.14 (29.0)	0.63 (15.9)	1.00 (25.4)		0.31 (7.9)	8-32 (M4)		
U200-A2*	2.75 (69.9)	1.95 (49.5)	1.31 (33.3)	0.63 (15.9)	1.38 (35.1)		0.31 (7.9)	8-32 (M4)		
U200-A3*	2.75 (69.9)	1.95 (49.5)	1.31 (33.3)	0.63 (15.9)	1.38 (35.1)		0.31 (7.9)	8-32 (M4)		
U300-A2*	3.75 (95.3)	1.95 (49.5)	1.31 (33.3)	0.63 (15.9)	1.88 (47.8)		0.31 (7.9)	8-32 (M4)		
U300-A3*	3.75 (95.3)	1.95 (49.5)	1.31 (33.3)	0.63 (15.9)	1.88 (47.8)		0.31 (7.9)	8-32 (M4)		
U50-P	1.00 (25.4)	0.82 (20.8)	0.70 (17.8)	0.375 (9.5)	0.50 (12.7)		0.18 (4.6)	8-32 (M4)	1/4-20 (M6)	
U100-P2*	2.00 (50.8)	1.79 (45.5)	1.14 (29.0)	0.63 (15.9)	1.00 (25.4)	1.79 (45.5)	0.31 (7.9)	8-32 (M4)	1/4-20 (M6)	8-32 (M4)
U100-P3*	2.00 (50.8)	1.79 (45.5)	1.14 (29.0)	0.63 (15.9)	1.00 (25.4)	1.79 (45.5)	0.31 (7.9)	8-32 (M4)	1/4-20 (M6)	8-32 (M4)
U200-P2*	2.75 (69.9)	1.95 (49.5)	1.31 (33.3)	0.63 (15.9)	1.38 (35.1)	2.17 (55.1)	0.31 (7.9)	8-32 (M4)	1/4-20 (M6)	8-32 (M4)
U200-P3*	2.75 (69.9)	1.95 (49.5)	1.31 (33.3)	0.63 (15.9)	1.38 (35.1)	2.17 (55.1)	0.31 (7.9)	8-32 (M4)	1/4-20 (M6)	8-32 (M4)

Note: U50 models are supplied with precision 8-100 (TPI) hex adjustment screws.  
 Note: U300-A has 3 clearance holes with 0.50 in. (12.7 mm) spacing—see Dimension H callout.  
<sup>1</sup>Nominal width based on AJS100-0.5K-NL adjustment screw. For width with other AJS100 models see Nominal Mount Width with Actuator table.

**Related Products**



V100-CP CenterPoint™ Mount  
(see page 872)



SR-series Magnetic Pedestal Rods



Ultrafast Laser Broadband 45° Mirrors  
(see page 694)

**Nominal Mount Width with Actuator**

Actuator	Dimensions [in. (mm)]	
	Nominal Width	Thread
AJS100-0.5H	C+.493 (12.52)	
AJS100-0.5H-NL	C+.353 (8.97)	
AJS100-0.5K	C+.778 (19.76)	

CAD See our website for CAD files



## Artisan Technology Group is your source for quality new and certified-used/pre-owned equipment

- FAST SHIPPING AND DELIVERY
- TENS OF THOUSANDS OF IN-STOCK ITEMS
- EQUIPMENT DEMOS
- HUNDREDS OF MANUFACTURERS SUPPORTED
- LEASING/MONTHLY RENTALS
- ITAR CERTIFIED SECURE ASSET SOLUTIONS

### SERVICE CENTER REPAIRS

Experienced engineers and technicians on staff at our full-service, in-house repair center

### *InstraView*<sup>SM</sup> REMOTE INSPECTION

Remotely inspect equipment before purchasing with our interactive website at [www.instraview.com](http://www.instraview.com) ↗

### WE BUY USED EQUIPMENT

Sell your excess, underutilized, and idle used equipment. We also offer credit for buy-backs and trade-ins. [www.artisanng.com/WeBuyEquipment](http://www.artisanng.com/WeBuyEquipment) ↗

### LOOKING FOR MORE INFORMATION?

Visit us on the web at [www.artisanng.com](http://www.artisanng.com) ↗ for more information on price quotations, drivers, technical specifications, manuals, and documentation

**Contact us:** (888) 88-SOURCE | [sales@artisanng.com](mailto:sales@artisanng.com) | [www.artisanng.com](http://www.artisanng.com)