



## Artisan Technology Group is your source for quality new and certified-used/pre-owned equipment

- FAST SHIPPING AND DELIVERY
- TENS OF THOUSANDS OF IN-STOCK ITEMS
- EQUIPMENT DEMOS
- HUNDREDS OF MANUFACTURERS SUPPORTED
- LEASING/MONTHLY RENTALS
- ITAR CERTIFIED SECURE ASSET SOLUTIONS

### SERVICE CENTER REPAIRS

Experienced engineers and technicians on staff at our full-service, in-house repair center

### *InstraView*<sup>SM</sup> REMOTE INSPECTION

Remotely inspect equipment before purchasing with our interactive website at [www.instraview.com](http://www.instraview.com) ↗

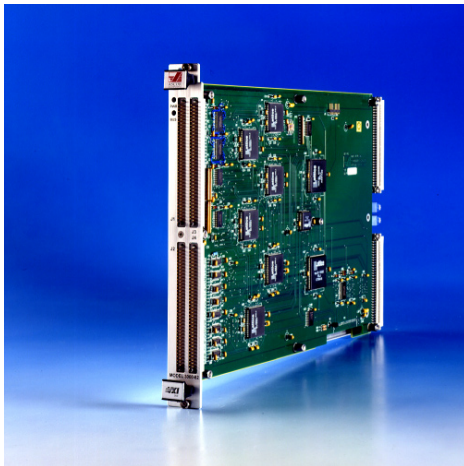
### WE BUY USED EQUIPMENT

Sell your excess, underutilized, and idle used equipment. We also offer credit for buy-backs and trade-ins. [www.artisanng.com/WeBuyEquipment](http://www.artisanng.com/WeBuyEquipment) ↗

### LOOKING FOR MORE INFORMATION?

Visit us on the web at [www.artisanng.com](http://www.artisanng.com) ↗ for more information on price quotations, drivers, technical specifications, manuals, and documentation

**Contact us:** (888) 88-SOURCE | [sales@artisanng.com](mailto:sales@artisanng.com) | [www.artisanng.com](http://www.artisanng.com)



## Product Description

The 3000-62 provides 128 Channel of Bi-Directional TTL I/O. This module can also be expanded in 128 Channel increments to 256 in a 1-slot module, and up to 512 channels in a 2-slot module. The 3000-62 has been designed with several exceptional features that make it stand out from competitive products.

■ **6U Form Factor** – the larger 6U form factor will accommodate 3-4 times the number of relays as 3U PXI products eliminating the need to build switching structures across boards decreasing Bandwidth.

■ **Scale-able Construction** – This module can be expanded in 128 Channel Increments up to 256 channels in a 1-slot module or 256 channels in a 2-slot module.

■ **Termination Options** – Various termination options are available for different applications. Each 128 Channel Module can be setup with different Terminations as required.

■ **Serial/Parallel Data Bus** – This module will support data rates of up to 2 Million read or write operations per second.

## Capabilities

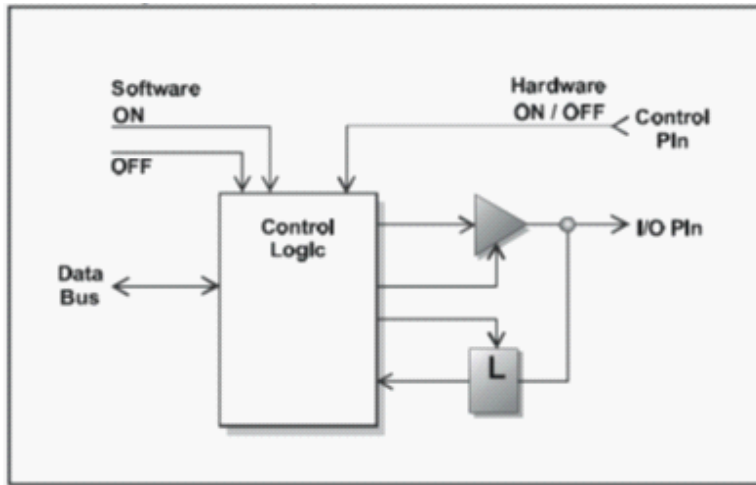
- Configurable in 128ch bi-directional increments up to 256 in a 1-slot module or 512 in a 2-slot module
- Terminations available  
330/680Ω  
1KΩ Pull up  
High Current (32ma Source, 64ma Sink)

## Recommended Uses

- **UUT Interfacing and Control** – Terminations can be customized to meet UUT requirements.
- **External Switching Control** – High Current option can be used to control external Coaxial Switches.

**Low Cost GT-8300A 3U chassis with LAN and IEEE-488 Control**





Typical Driver Channel

- All ASCOR cards have built-in circuitry to verify both the control signal from the programming register, as well as verifying the relay coil is intact.
- All Switching modules feature built-in memory to maintain the service record of the unit with time stamping.
- All Modules carry a full 3 year Warranty

## Specifications

### Electrical

- 128 Channels Bi-Directional I/O Tri-State, Latching, Expandable in 128 Ch Increments
- Standard Terminations 330/680Ω  
1KΩ Pull up  
High Current (32ma Source, 64ma Sink)

### Environmental

#### Temperature

- Operating 0° to 50°C
- Storage -40° to 75°C

#### Humidity (non-condensing)

- Operating 10 to 90%
- Storage 0 to 95%

### Mechanical

- "C" size VXI

## Ordering Information

Model #	Description	Manufacturer #
3000-62	128 Channel TTL I/O (1-slot Motherboard), Specify Termination	90400840
3000-62 Opt 1	Additional 128 Channel TTL I/O, 256 Total, Specify Term	90400840-001
3000-62 Opt 1	Set of Mating connectors for one Module	89800470
3000-62 Opt 2	128 Channel TTL I/O (1-slot Motherboard) with 96Ch Daughterboard (32 CMOS & 32 OC & 32 Diff Drivers)	90400840-002
3000-62 Opt 2	Set of Mating connectors for one Module	89800470-001
3000-62 Opt 3	128 Channel TTL I/O (1-slot Motherboard) with 64 Differential Drivers Daughterboard	90400840-003
3000-62 Opt 3	Set of Mating connectors for one Module	89800470-002
3000-62 Opt 4	128 Channel TTL I/O (1-slot Motherboard) with 128 Relay Driver Daughterboard	90400840-004
3000-62 Opt 4	Set of Mating connectors for one Module	89800470-003

www.gigatronics.com | inquiries@gigatronics.com  
800.726.4442 (USA) | +1 925.328.4650 (International)





## Artisan Technology Group is your source for quality new and certified-used/pre-owned equipment

- FAST SHIPPING AND DELIVERY
- TENS OF THOUSANDS OF IN-STOCK ITEMS
- EQUIPMENT DEMOS
- HUNDREDS OF MANUFACTURERS SUPPORTED
- LEASING/MONTHLY RENTALS
- ITAR CERTIFIED SECURE ASSET SOLUTIONS

### SERVICE CENTER REPAIRS

Experienced engineers and technicians on staff at our full-service, in-house repair center

### *InstraView*<sup>SM</sup> REMOTE INSPECTION

Remotely inspect equipment before purchasing with our interactive website at [www.instraview.com](http://www.instraview.com) ↗

### WE BUY USED EQUIPMENT

Sell your excess, underutilized, and idle used equipment. We also offer credit for buy-backs and trade-ins. [www.artisanng.com/WeBuyEquipment](http://www.artisanng.com/WeBuyEquipment) ↗

### LOOKING FOR MORE INFORMATION?

Visit us on the web at [www.artisanng.com](http://www.artisanng.com) ↗ for more information on price quotations, drivers, technical specifications, manuals, and documentation

**Contact us:** (888) 88-SOURCE | [sales@artisanng.com](mailto:sales@artisanng.com) | [www.artisanng.com](http://www.artisanng.com)