



Artisan Technology Group is your source for quality new and certified-used/pre-owned equipment

- FAST SHIPPING AND DELIVERY
- TENS OF THOUSANDS OF IN-STOCK ITEMS
- EQUIPMENT DEMOS
- HUNDREDS OF MANUFACTURERS SUPPORTED
- LEASING/MONTHLY RENTALS
- ITAR CERTIFIED SECURE ASSET SOLUTIONS

SERVICE CENTER REPAIRS

Experienced engineers and technicians on staff at our full-service, in-house repair center

*InstraView*SM REMOTE INSPECTION

Remotely inspect equipment before purchasing with our interactive website at www.instraview.com ↗

WE BUY USED EQUIPMENT

Sell your excess, underutilized, and idle used equipment. We also offer credit for buy-backs and trade-ins. www.artisanng.com/WeBuyEquipment ↗

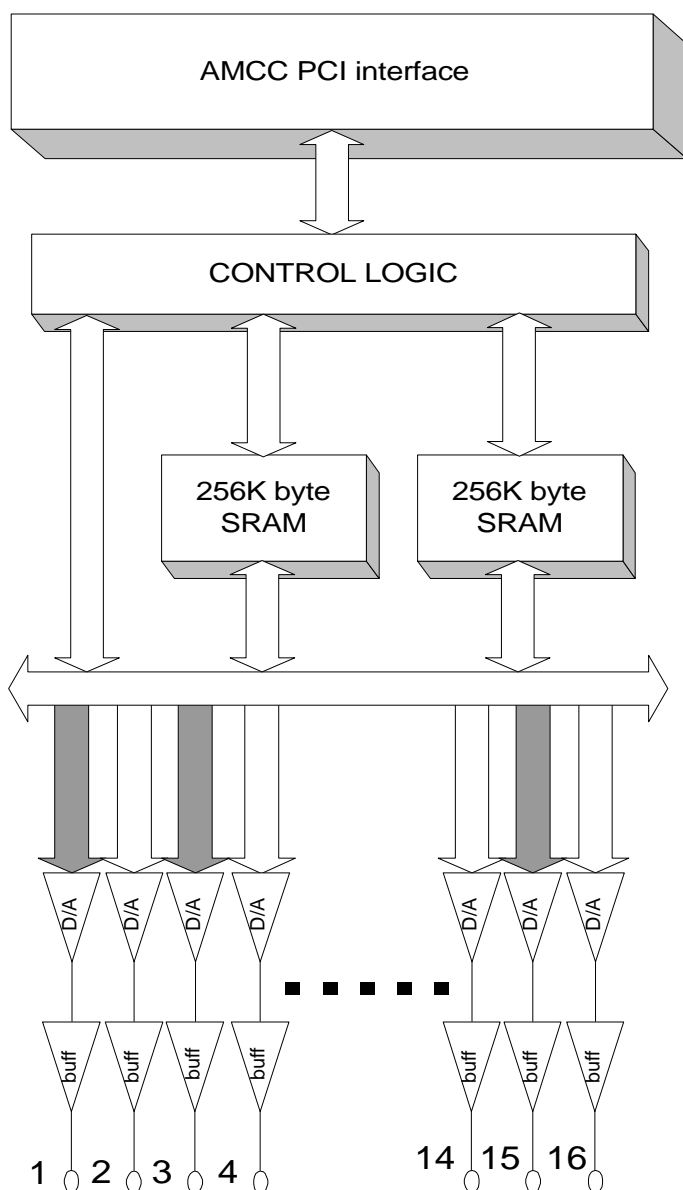
LOOKING FOR MORE INFORMATION?

Visit us on the web at www.artisanng.com ↗ for more information on price quotations, drivers, technical specifications, manuals, and documentation

Contact us: (888) 88-SOURCE | sales@artisanng.com | www.artisanng.com

CompactPCI™ Module 16 channel 16 bit Digital to Analog

**Compact PCI-DA16 FUNCTIONAL
BLOCK DIAGRAM**



FEATURE SUMMARY

- 16 independent channels
- 16 bit Digital to Analog converters- DAC712
- 10 uS DAC converters
- High speed transfers to and from the CPCI bus
- Two banks of 256Kbyte SRAM for wave form tables
- Selectable internal external power options
- Buffered outputs, 40 or 250 mA options
- +/-10 volt outputs
- Automated state machine and buffer RAM to minimize impact to HOST
- Direct memory mapped access to the registers and buffer RAM
- Front panel I/O connectors for all outputs
- High current outputs for control applications
- 3U CompactPCI form factor

OVERVIEW

The CPCI-DA16 is a slave Digital to Analog board that is managed by the host processor on the CPCI bus. The card contains a state machine that performs most of the work of outputting data, in order to minimize the impact to the HOST system. The CPCI-DA16 is supported by ALPHI Technology under *Windows NT* by a **Board Support Package** which is supplied with the card. Other documentation supplied with the card will describe this support in full detail.

ORDERING INFORMATION

p/n:	CPCI-DA16-1	40 mA output
	CPCI-DA16-2	250 mA output
	TB-50	50 pin terminal block w/ cable
	CBL-SCSI-50	50 pin scsi cable

© Copyright 2000 by ALPHI TECHNOLOGY
6202 South Maple Ave., Suite 120 Tempe, Arizona 85283
PHONE (480) 838-2428 FAX (480) 838-4477 www.alphitech.com





Artisan Technology Group is your source for quality new and certified-used/pre-owned equipment

- FAST SHIPPING AND DELIVERY
- TENS OF THOUSANDS OF IN-STOCK ITEMS
- EQUIPMENT DEMOS
- HUNDREDS OF MANUFACTURERS SUPPORTED
- LEASING/MONTHLY RENTALS
- ITAR CERTIFIED SECURE ASSET SOLUTIONS

SERVICE CENTER REPAIRS

Experienced engineers and technicians on staff at our full-service, in-house repair center

*InstraView*SM REMOTE INSPECTION

Remotely inspect equipment before purchasing with our interactive website at www.instraview.com ↗

WE BUY USED EQUIPMENT

Sell your excess, underutilized, and idle used equipment. We also offer credit for buy-backs and trade-ins. www.artisanng.com/WeBuyEquipment ↗

LOOKING FOR MORE INFORMATION?

Visit us on the web at www.artisanng.com ↗ for more information on price quotations, drivers, technical specifications, manuals, and documentation

Contact us: (888) 88-SOURCE | sales@artisanng.com | www.artisanng.com