



## Artisan Technology Group is your source for quality new and certified-used/pre-owned equipment

- FAST SHIPPING AND DELIVERY
- TENS OF THOUSANDS OF IN-STOCK ITEMS
- EQUIPMENT DEMOS
- HUNDREDS OF MANUFACTURERS SUPPORTED
- LEASING/MONTHLY RENTALS
- ITAR CERTIFIED SECURE ASSET SOLUTIONS

### SERVICE CENTER REPAIRS

Experienced engineers and technicians on staff at our full-service, in-house repair center

### *InstraView*<sup>SM</sup> REMOTE INSPECTION

Remotely inspect equipment before purchasing with our interactive website at [www.instraview.com](http://www.instraview.com) ↗

### WE BUY USED EQUIPMENT

Sell your excess, underutilized, and idle used equipment. We also offer credit for buy-backs and trade-ins. [www.artisanng.com/WeBuyEquipment](http://www.artisanng.com/WeBuyEquipment) ↗

### LOOKING FOR MORE INFORMATION?

Visit us on the web at [www.artisanng.com](http://www.artisanng.com) ↗ for more information on price quotations, drivers, technical specifications, manuals, and documentation

**Contact us:** (888) 88-SOURCE | [sales@artisanng.com](mailto:sales@artisanng.com) | [www.artisanng.com](http://www.artisanng.com)

# **BALDOR**® • **RELIANCE**

## **Product Information Packet**

# **CDP3330**

**.5HP,1750RPM,DC,56C,3336P,TENV,F1**

Part Detail							
Revision:	V	Status:	PRD/A	Change #:		Proprietary:	No
Type:	DC	Prod. Type:		Elec. Spec:	33WGZ122	CD Diagram:	CD0194
Enclosure:	TENV	Mfg Plant:		Mech. Spec:	33-2024	Layout:	33LY2024
Frame:	56C	Mounting:	F1	Poles:	///	Created Date:	
Base:	RG	Rotation:	R	Insulation:	F	Eff. Date:	05-27-2011
Field Type:		Literature:		Elec. Diagram:		Replaced By:	

<b>Nameplate NP0891L</b>					
CAT.NO.	CDP3330				
SPEC.	33-2024Z122				
HP	.5	ENCL	TENV		
RPM	1750				
FRAME	56C	TYPE	3336P		
ARM V	90	ARM A	4.8		
FLD V		FLD A			
INSUL	F	AMB.	40		
DUTY	CONT	SUPPLY	1.3		
BRG/DE	6203	BRG/ODE	6203		
BRUSHES	2/BP5011T01				
		BLANK			
SER.					
BLANK					
APRV-CE	Y	APRV-CSA	Y	APRV-UL	Y

Parts List		
Part Number	Description	Quantity
SA005026	SA 33-2024Z122	1.000 EA
AA002675	AA 33-2024Z122	1.000 EA
BP5011T01SP	CARBON BRUSH - 33P, 90V	1.000 EA
BP5012A04SP	BRUSH SPRING FOR DC MOTORS	1.000 EA
33CB5000A03	33P BOX & LEAD ASSY	1.000 EA
33GS1006A01	GASKET CONDUIT BOX (LEXIDE)	1.000 EA
51XT0832A08	8-32 X 1/2 TY23 HXWS SLDSR	3.000 EA
51XW0832G07	8-32 X 7/16 TY23 HXWS SLDSR GR	1.000 EA
HW3001B01	003SS CUP WASHER, FOR #8 SCREW	1.000 EA
51XW0832A07	8-32 X .44, TAPTITE II, HEX WSHR SLTD SE	4.000 EA
33EP3101A04	FR ENDPLATE, MACH	1.000 EA
33CB4501A01SP	BRUSH INSPECTION COVER	2.000 EA
33GS1005A01	GASKET, BRUSH INSP. COVERELECTRICLY NON-	2.000 EA
51XW0832A07	8-32 X .44, TAPTITE II, HEX WSHR SLTD SE	4.000 EA
HW5100A03SP	WAVY WASHER (W1543-017)	1.000 EA
33EP3302A10	PU ENDPLATE, MACH	1.000 EA
51XN1032A20	10-32 X 1 1/4 HX WS SL SR	2.000 EA
HA6887	SHAFT PROTECTOR STAMPED STEEL 20 GA.	1.000 EA
10XN2520A06	1/4 20X3/8 HX HD CAP	2.000 EA
34CB4512	34 CB LID	1.000 EA
34GS1001	GASKET, STD CONDUIT BOX LID (LEXIDE)	1.000 EA
51XW0832A07	8-32 X .44, TAPTITE II, HEX WSHR SLTD SE	4.000 EA
HW2501D13SP	KEY, 3/16 SQ X 1.375	1.000 EA
HA7000A04	KEY RETAINER 0.625 DIA SHAFTS	1.000 EA

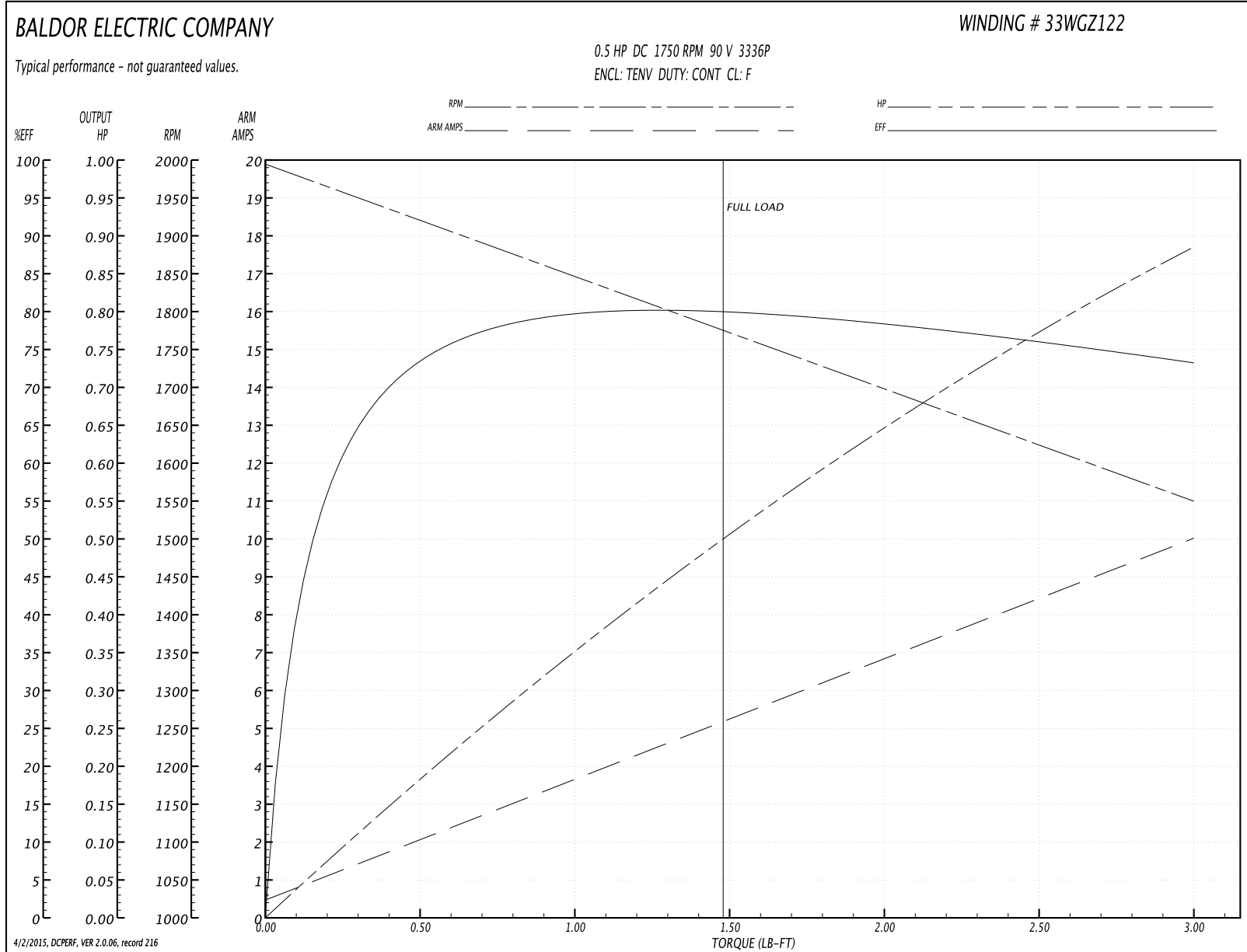
<b>Parts List (continued)</b>		
<b>Part Number</b>	<b>Description</b>	<b>Quantity</b>
MG1000G27	MED CHARCOAL METALLIC GREY	0.013 GA
10XF0440S02	04-40 X 1/8 TYPE F HEX HD STAINLESS STIC	2.000 EA
33RK5004SP	ROCKERARM	1.000 EA
HA3100S03	THRUBOLT- 10-32 X 10.625 302 OR 303 SS	2.000 EA
LB1119N	WARNING LABEL	1.000 EA
LB1125C01	STD (STOCK) CARTON LABEL BALDOR WITH FLA	1.000 EA
LC0194	CONNECTION LABEL	1.000 EA
MN416A01	TAG-INSTAL-MAINT no wire (1200/bx) 10/13	1.000 EA
NP0891L	NP STD LASER ENGRAVED DC MTRS, UL CSA CE	1.000 EA
27PA1001	PACKAGING GROUP	1.000 EA

<b>Accessories</b>		
<b>Part Number</b>	<b>Description</b>	<b>Multiplier</b>
TK3300	TACHO MOUNTING KIT TK3300	A8
TK3300-HPU	HPU10 MOUNTING KIT 33P/34P TENV	

Performance Data at 90.0 Arm V, 0.5HP (Typical performance - Not guaranteed values)							
<b>General Characteristics</b>							
Armature Resistance:	2.0767 ohms			Commutating Winding Resistance:			
Series Winding Resistance:				Shunt Winding Resistance:			
Armature Inductance:	15.574 mH			Armature Inertia:			
Maximum Rated RPM With Field Weakening:				Maximum Allowable Inrush Amps:	44.0		
<b>Load Characteristics</b>							
Load Point	1	2	3	4	5	6	7
Armature Amps:	0.474	2.065	3.656	5.247	6.838	8.429	10.02
RPM:	1995.0	1920.0	1846.0	1772.0	1698.0	1624.0	1550.0
Torque (LB-FT):	0.0	0.5	1.0	1.5	2.0	2.5	3.0

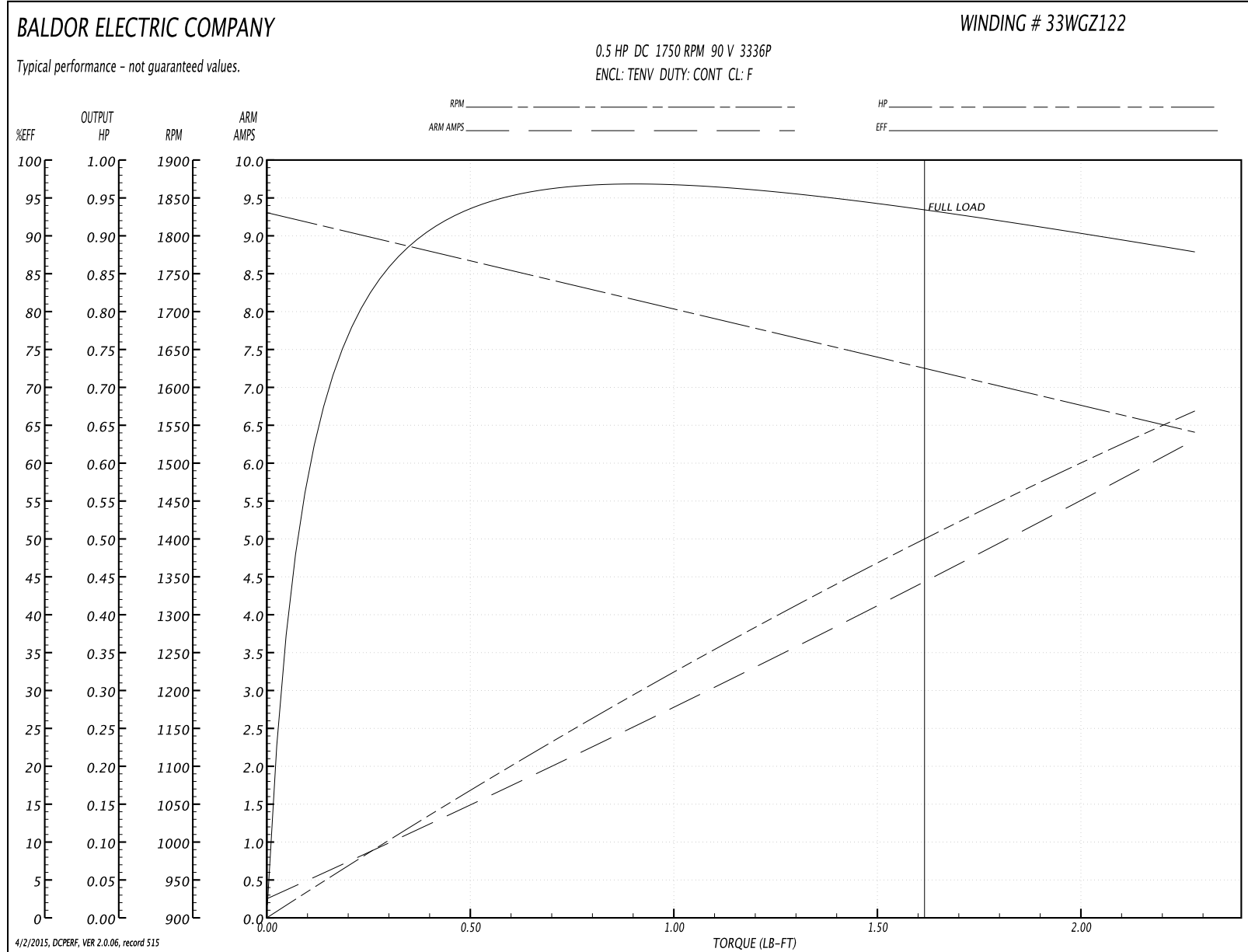


Performance Graph at 90.0 Arm V, 0.5HP Typical performance - Not guaranteed values



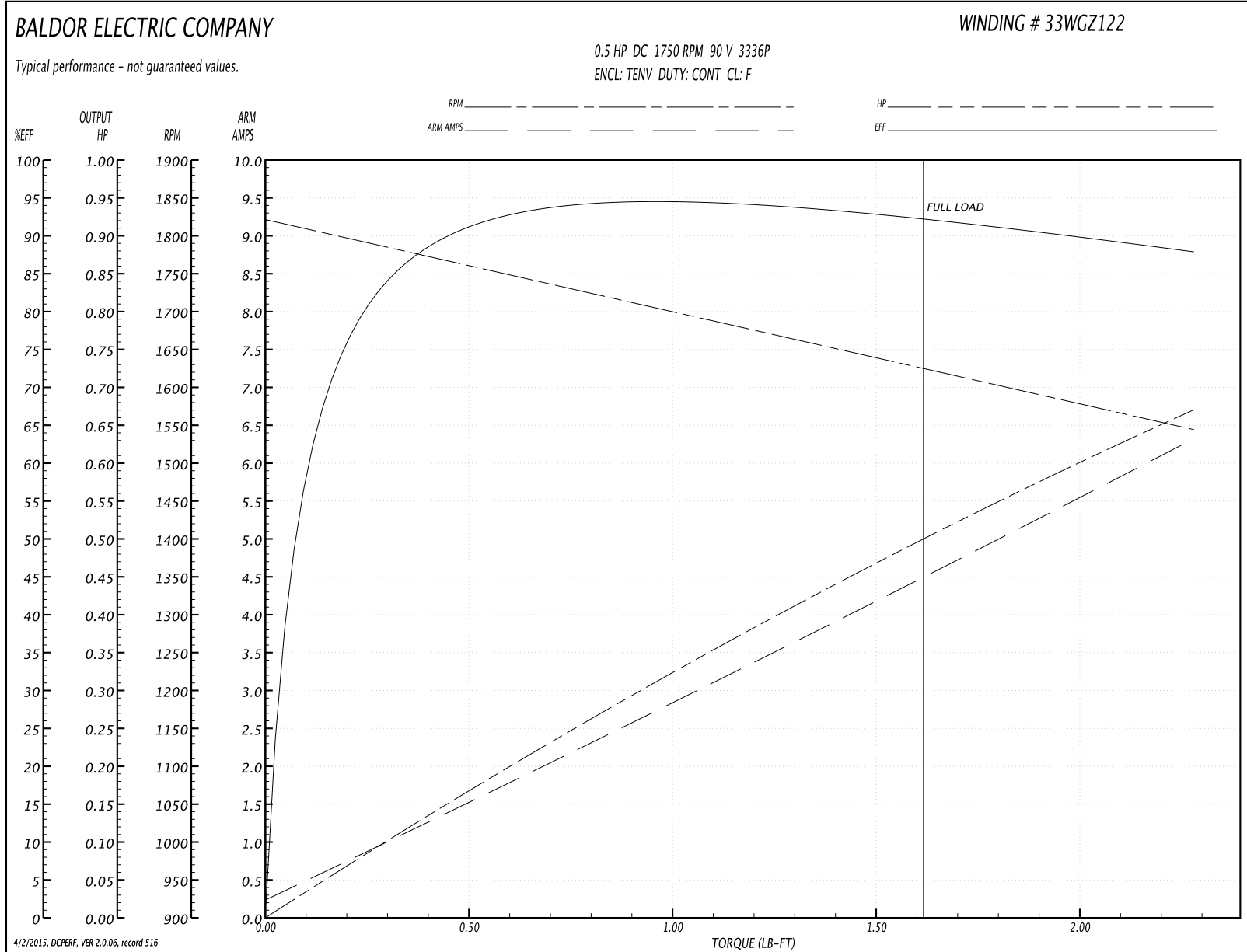
Performance Data at 90.0 Arm V, 0.5HP (Typical performance - Not guaranteed values)							
<b>General Characteristics</b>							
Armature Resistance:	1.2779 ohms			Commutating Winding Resistance:			
Series Winding Resistance:				Shunt Winding Resistance:			
Armature Inductance:	15.798 mH			Armature Inertia:			
Maximum Rated RPM With Field Weakening:				Maximum Allowable Inrush Amps:			
<b>Load Characteristics</b>							
Load Point	1	2	3	4	5	6	7
Armature Amps:	0.24	1.25	2.1	3.15	4.05	5.36	6.25
RPM:	1835.0	1793.0	1721.0	1672.0	1648.0	1584.0	1549.0
Torque (LB-FT):	0.0	0.38	0.76	1.14	1.5	1.9	2.28

Performance Graph at 90.0 Arm V, 0.5HP Typical performance - Not guaranteed values



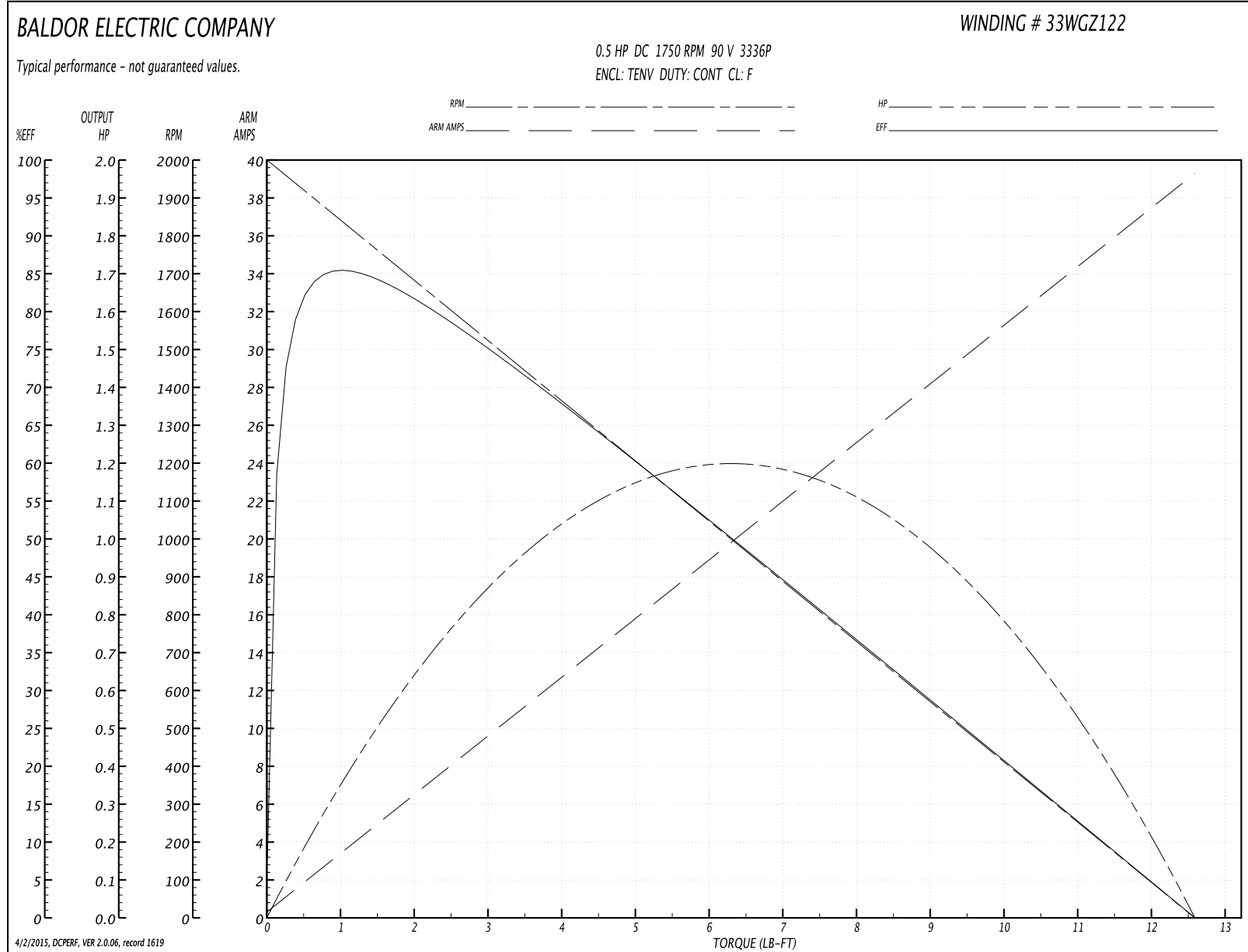
Performance Data at 90.0 Arm V, 0.5HP (Typical performance - Not guaranteed values)							
<b>General Characteristics</b>							
Armature Resistance:	1.2525 ohms			Commutating Winding Resistance:			
Series Winding Resistance:				Shunt Winding Resistance:			
Armature Inductance:	15.413 mH			Armature Inertia:			
Maximum Rated RPM With Field Weakening:				Maximum Allowable Inrush Amps:			
<b>Load Characteristics</b>							
Load Point	1	2	3	4	5	6	7
Armature Amps:	0.24	1.15	2.35	3.16	4.07	5.37	6.3
RPM:	1835.0	1770.0	1723.0	1683.0	1624.0	1588.0	1559.0
Torque (LB-FT):	0.0	0.38	0.76	1.14	1.5	1.9	2.28

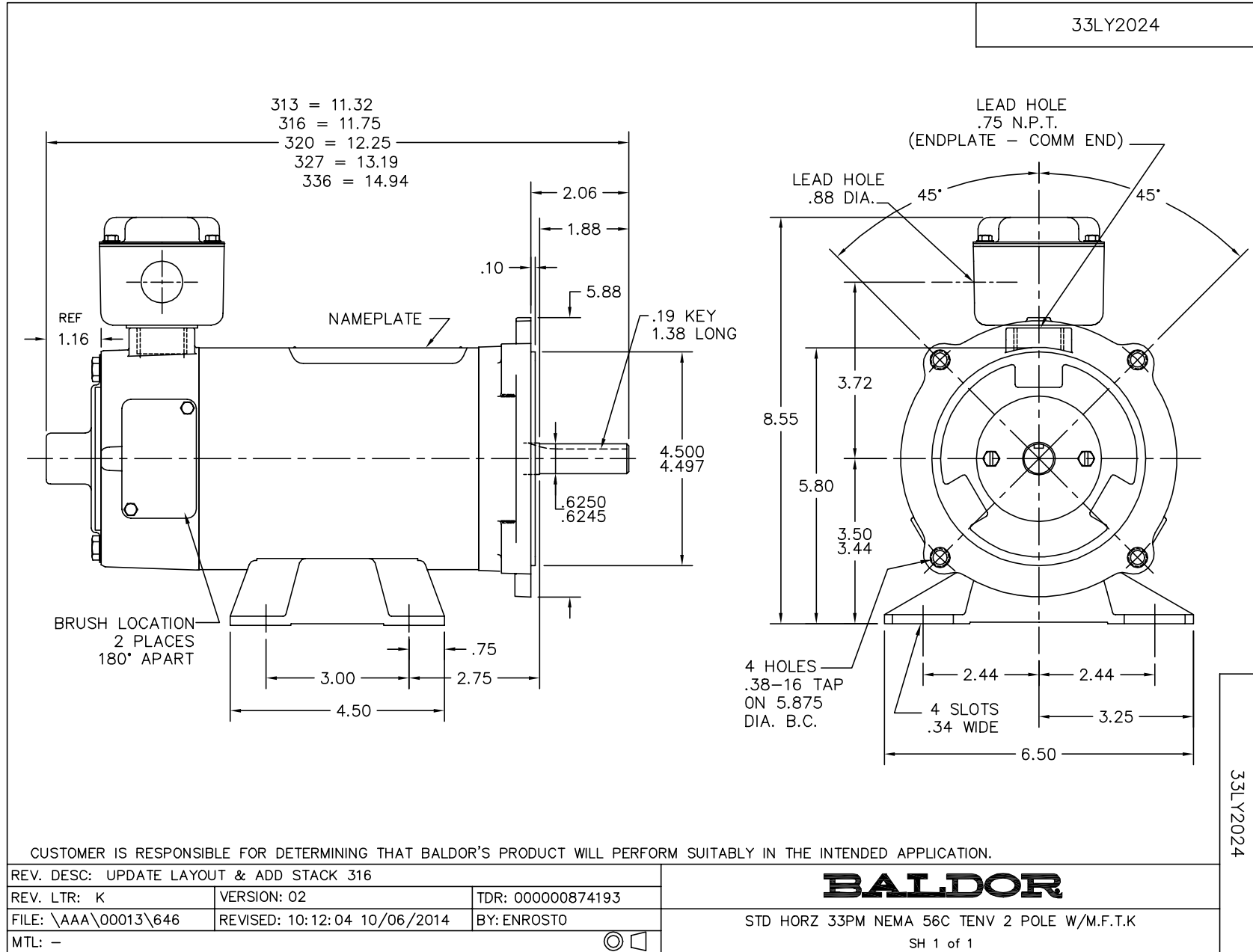
Performance Graph at 90.0 Arm V, 0.5HP Typical performance - Not guaranteed values



Performance Data at 90.0 Arm V, 0.5HP (Typical performance - Not guaranteed values)							
<b>General Characteristics</b>							
Armature Resistance:	1.22 ohms			Commutating Winding Resistance:			
Series Winding Resistance:				Shunt Winding Resistance:			
Armature Inductance:	15.574 mH			Armature Inertia:			
Maximum Rated RPM With Field Weakening:				Maximum Allowable Inrush Amps:	44.0		
<b>Load Characteristics</b>							
Load Point	1	2	3	4	5	6	7
Armature Amps:	0.32	6.51	12.7	18.89	25.08	31.28	39.3
RPM:	2000.0	1682.0	1365.0	1047.0	729.0	412.0	0.1
Torque (LB-FT):	0.0	2.0	4.0	6.0	8.0	10.0	12.59

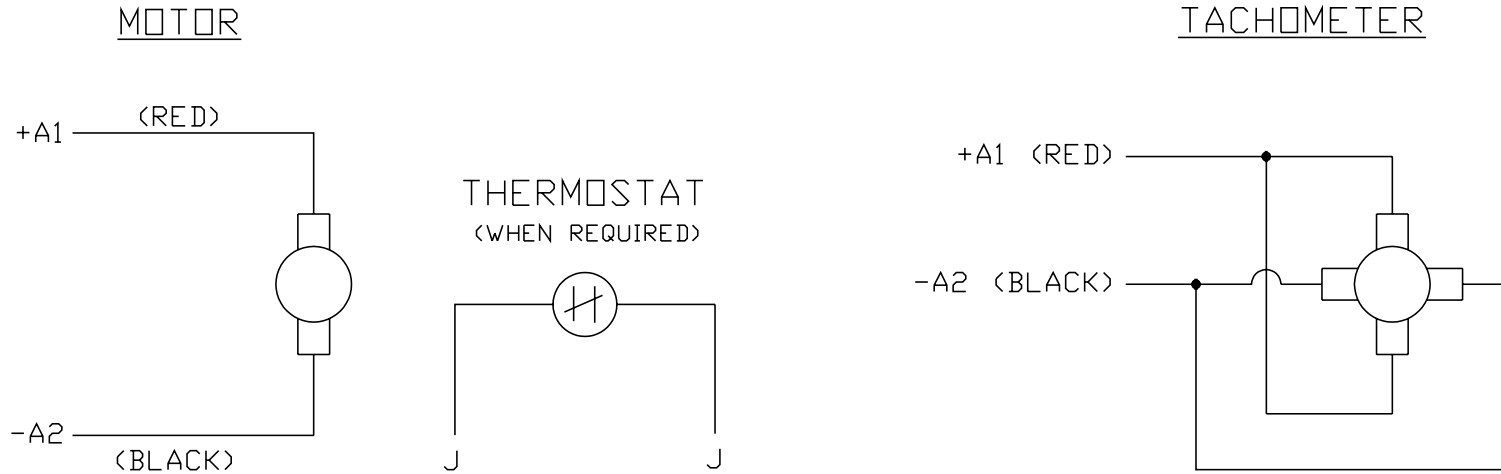
Performance Graph at 90.0 Arm V, 0.5HP Typical performance - Not guaranteed values







CD0194



NOTES:

1. CCW ROTATION AS SHOWN FACING COMMUTATOR END. TO REVERSE MOTOR ROTATION OR TACHOMETER OUTPUT POLARITY INTERCHANGE LEADS A1(RED) & A2(BLACK)
2. LEAD COLORS FOR REFERENCE ONLY & NOT SPECIFIED BY THIS DRAWING. LEAD COLORS SPECIFIED BY LAYOUT DRAWING & BILL OF MATERIAL ONLY.

MATL: -			
REV:	E	ADDED NOTE "LEAD COLORS FOR REFERENCE ONLY &..."	
761000		SCALE: -	BY: CK
		REVISED: 07/28/95	
		FILE: AAA00004503	TDR: 0078737

**BALDOR ELECTRIC Co.**

CD TYPE P DC PERMANENT MAGNET MOTORS AND TACHOMETERS

CD0194



## Artisan Technology Group is your source for quality new and certified-used/pre-owned equipment

- FAST SHIPPING AND DELIVERY
- TENS OF THOUSANDS OF IN-STOCK ITEMS
- EQUIPMENT DEMOS
- HUNDREDS OF MANUFACTURERS SUPPORTED
- LEASING/MONTHLY RENTALS
- ITAR CERTIFIED SECURE ASSET SOLUTIONS

### SERVICE CENTER REPAIRS

Experienced engineers and technicians on staff at our full-service, in-house repair center

### *InstraView*<sup>SM</sup> REMOTE INSPECTION

Remotely inspect equipment before purchasing with our interactive website at [www.instraview.com](http://www.instraview.com) ↗

### WE BUY USED EQUIPMENT

Sell your excess, underutilized, and idle used equipment. We also offer credit for buy-backs and trade-ins. [www.artisanng.com/WeBuyEquipment](http://www.artisanng.com/WeBuyEquipment) ↗

### LOOKING FOR MORE INFORMATION?

Visit us on the web at [www.artisanng.com](http://www.artisanng.com) ↗ for more information on price quotations, drivers, technical specifications, manuals, and documentation

**Contact us:** (888) 88-SOURCE | [sales@artisanng.com](mailto:sales@artisanng.com) | [www.artisanng.com](http://www.artisanng.com)