



Artisan Technology Group is your source for quality new and certified-used/pre-owned equipment

- FAST SHIPPING AND DELIVERY
- TENS OF THOUSANDS OF IN-STOCK ITEMS
- EQUIPMENT DEMOS
- HUNDREDS OF MANUFACTURERS SUPPORTED
- LEASING/MONTHLY RENTALS
- ITAR CERTIFIED SECURE ASSET SOLUTIONS

SERVICE CENTER REPAIRS

Experienced engineers and technicians on staff at our full-service, in-house repair center

*InstraView*SM REMOTE INSPECTION

Remotely inspect equipment before purchasing with our interactive website at www.instraview.com ↗

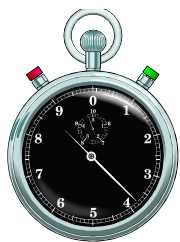
WE BUY USED EQUIPMENT

Sell your excess, underutilized, and idle used equipment. We also offer credit for buy-backs and trade-ins. www.artisanng.com/WeBuyEquipment ↗

LOOKING FOR MORE INFORMATION?

Visit us on the web at www.artisanng.com ↗ for more information on price quotations, drivers, technical specifications, manuals, and documentation

Contact us: (888) 88-SOURCE | sales@artisanng.com | www.artisanng.com



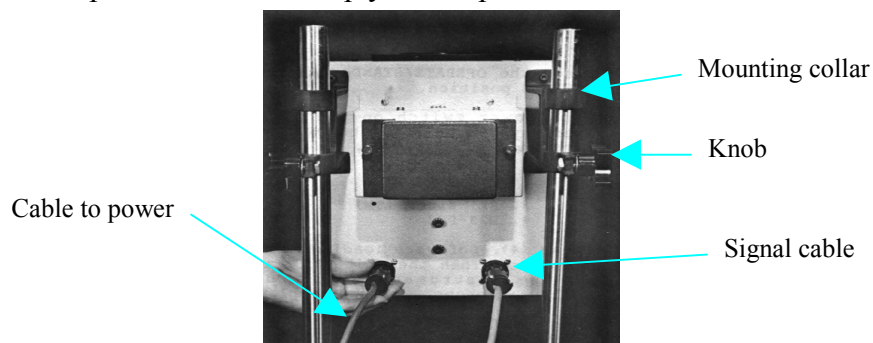
HunterLab Quick Start

Get Up and Running Fast...

Follow these instructions for quick setup and operation of your **HunterLab D25 with DP-9000**. Consult your User's Manual if more information is needed.

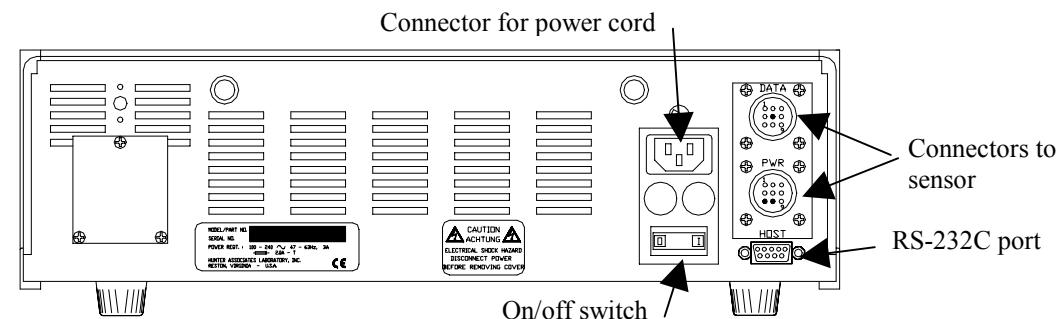
1 Unpack and Mount the D25 Sensor

- A. Orient the sensor with the port either up or down. If the sensor will be port-down, slide the sample clamp over one of the stand's support posts now.
- B. Slide the sensor's mounting collars over the support posts of the stand and slide the sensor to the desired position.
- C. Tighten the two black knobs on the mounting collars to hold the sensor in place.
- D. Use the picture below to help you complete the rest of the installation steps.



2 Connect the DP-9000 Processor

- A. Slide the DP-9000 processor onto the base of the sensor stand.
- B. Use the picture below to help you complete the processor connection.



- C. Connect the sensor power cable to the bottom round connector on the processor and the left connector on the back of the sensor when the sensor is mounted port up. Each connector has a unique pin definition so that each cable can only be connected in one place and in one orientation.
- D. Connect the sensor signal cable from the top round connector on the back of the processor to the right connector on the back of the sensor when the sensor is mounted port up.
- E. Connect the AC power cord to the connector above the on/off switch on the back of the DP-9000.
- F. Install any options or accessories needed using instructions given in the User's Manual.

3 Turn the Colorimeter On and Warm It Up

Plug the power cord into a wall outlet and switch on the on/off switch. Allow the instrument to warm up for two hours. During this warm-up period, you may complete your instrument and product setups.

4 Complete the Instrument Setup

- A. Enter Setup mode by pressing the **Setup** key, shown below.



- B. The setup number should be highlighted, Press the **left** or **right arrow** key until INSTRUMENT is displayed as the setup. INSTRUMENT is located between Setup 01 and Setup 99. The instrument setup parameters apply to all measurements made using this instrument.

- C. Enter the instrument setup parameters desired. Scroll through the parameters using the **up** and **down arrow** keys and scroll through the choices for each parameter using the **left** and **right arrow** keys. “Diagnostics” may be left OFF at this point. Specific instructions for instrument setup are given in the User’s Manual, beginning on page 2-8.
- D. When all instrument setup parameters are as desired, press the **Setup** key again to exit Setup mode.

5 Complete Your Product Setups

- A. Enter Setup mode by pressing the **Setup** key.
- B. The setup number should be highlighted. Press the **left** or **right arrow** until the setup number desired is displayed. This setup will apply to all measurements made with this setup number displayed at the top of the screen. This will usually mean measurements of one particular product.
- C. Press the **down arrow** key to proceed to the name parameter.
- D. Use the **left** and **right arrow** keys to scroll through the letters of the alphabet and numbers from 0 to 9 until the letter or number desired for the first character of the name is displayed. Press the **Read** key, shown below, to enter it. Enter each of the rest of the characters of the name in the same fashion.



- E. Enter the remaining product setup parameters desired. Scroll through the parameters using the **up** and **down arrow** keys and scroll through the choices for each parameter using the **left** and **right arrow** keys. Specific instructions for product setup are given in the User’s Manual, beginning on page 2-20.
- F. Repeat Steps B-E for each product measured.
- G. Press the **Setup** key to exit Setup mode.

6 Standardize the Sensor

Do not perform this step until the two-hour warm-up period has elapsed.

- A. Press the **CAL** key. The display will prompt you to “PLACE BLACK GLASS AND PRESS <READ>.”
- B. Center the black glass at the sample port with the shiny side toward the port.

- C. Press the **Read** key. The following prompt will be displayed: “PLACE WHITE TILE AND PRESS <READ>.”
- D. Center the calibrated white tile at the sample port with the white side toward the port. (You’ll see the calibrated values on the back of the tile.)
- E. Press the **Read** key. When standardization is complete, a message will be displayed indicating that the instrument is ready to read.

7 Read Your Samples

- A. Press the **up** or **down arrow** key until the product setup desired is shown in the upper left corner of the display.
- B. Center the standard or sample to be measured at the sample port with the side to be measured toward the port. Ensure that the sample is flat and that the area to be measured is centered over the port.
- C. Press the **Read** key to take a reading. The sensor will scan the specimen and then display its color readings on the screen. You may now press the **Print** key to print and save the result, the **Comm** key to output the result, or the **Clear** key to clear the result.



The **Print** key



The **Comm** key



The **Clear** key

Averaging:

If a number of readings to average is indicated in the product setup, you will be prompted to “READ 1 of X,” with X being the number of samples to average. Press the **Read** key to take each reading. Then the message “PRESS <READ> to DISPLAY AVERAGE” will be displayed. Press the **Read** key to show the average values for the measurements. If statistics were turned on in the product setup, you may press **Read** once more to show the statistics.

Refer to the “Lessons” chapter in the User’s Manual for specific operational instructions.





Artisan Technology Group is your source for quality new and certified-used/pre-owned equipment

- FAST SHIPPING AND DELIVERY
- TENS OF THOUSANDS OF IN-STOCK ITEMS
- EQUIPMENT DEMOS
- HUNDREDS OF MANUFACTURERS SUPPORTED
- LEASING/MONTHLY RENTALS
- ITAR CERTIFIED SECURE ASSET SOLUTIONS

SERVICE CENTER REPAIRS

Experienced engineers and technicians on staff at our full-service, in-house repair center

*InstraView*SM REMOTE INSPECTION

Remotely inspect equipment before purchasing with our interactive website at www.instraview.com ↗

WE BUY USED EQUIPMENT

Sell your excess, underutilized, and idle used equipment. We also offer credit for buy-backs and trade-ins. www.artisanng.com/WeBuyEquipment ↗

LOOKING FOR MORE INFORMATION?

Visit us on the web at www.artisanng.com ↗ for more information on price quotations, drivers, technical specifications, manuals, and documentation

Contact us: (888) 88-SOURCE | sales@artisanng.com | www.artisanng.com