



Artisan Technology Group is your source for quality new and certified-used/pre-owned equipment

- FAST SHIPPING AND DELIVERY
- TENS OF THOUSANDS OF IN-STOCK ITEMS
- EQUIPMENT DEMOS
- HUNDREDS OF MANUFACTURERS SUPPORTED
- LEASING/MONTHLY RENTALS
- ITAR CERTIFIED SECURE ASSET SOLUTIONS

SERVICE CENTER REPAIRS

Experienced engineers and technicians on staff at our full-service, in-house repair center

*InstraView*SM REMOTE INSPECTION

Remotely inspect equipment before purchasing with our interactive website at www.instraview.com ↗

WE BUY USED EQUIPMENT

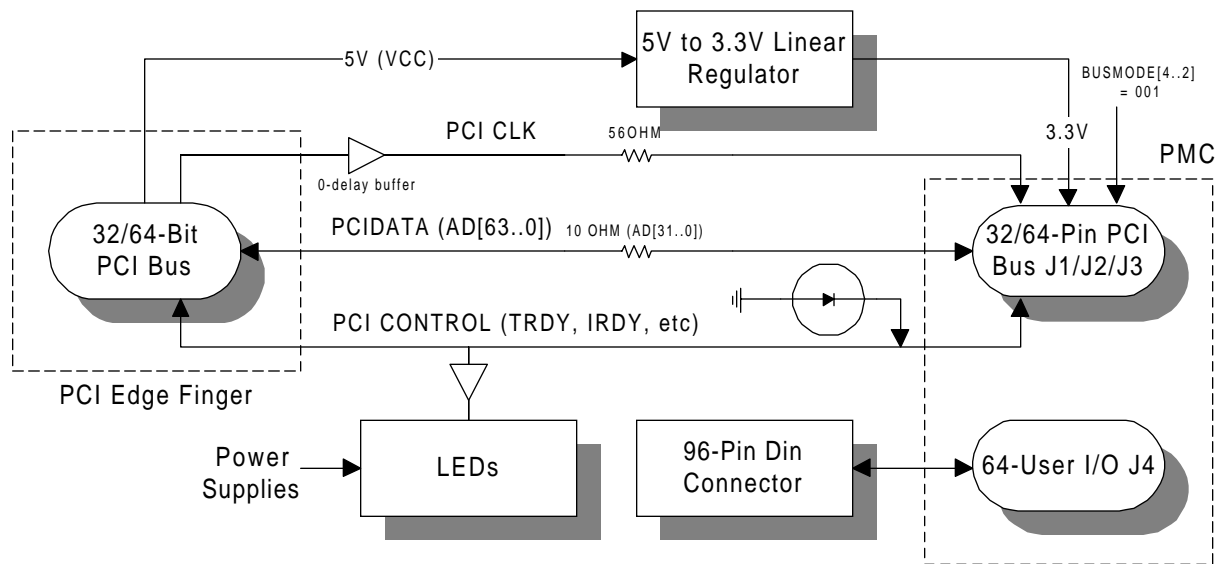
Sell your excess, underutilized, and idle used equipment. We also offer credit for buy-backs and trade-ins. www.artisanng.com/WeBuyEquipment ↗

LOOKING FOR MORE INFORMATION?

Visit us on the web at www.artisanng.com ↗ for more information on price quotations, drivers, technical specifications, manuals, and documentation

Contact us: (888) 88-SOURCE | sales@artisanng.com | www.artisanng.com

64 bit PMC to PCI Adapter for Delivery Systems



This 64-bit PMC to PCI Adapter permits delivery of PMC-derived applications in a standard PCI environment.

Mechanically, a PMC card fits cleanly on a short-length PCI board, resulting in a highly acceptable delivery solution for desktop applications. PMC suppliers can introduce products to desktop packaging without having to maintain two PCI-based designs — one for standard PCI and a second for PMC.

This product has been specifically designed to improve PCI bus signal integrity while still retaining the convenience of a passive adapter. The PCI bus CLK signal is buffered with a zero-delay circuit and is series terminated thereby providing a clean clock signal as seen by the PMC card. The key control signals on the PCI bus (IRDY, TRDY, FRAME, etc.) are Schottky-diode clamped to ground in order to reduce signal undershoot. The 32-bit PCI bus (AD[31..0]) has 10 ohm series termination which reduces undershoot/overshoot on the address/data lines. Because the distance from the 64-bit PCI databus (AD[63..32]) to the corresponding PMC connector (PN3) is minimal, a direct connection from the edge finger to the AD[63..32] is implemented for these signals.

A 3.3V linear regulator on the board converts the 5V power from the PCI edge finger to 3.3V to the PMC. This allows operation in motherboards which do not support 3.3V power. The maximum current from the regulator is 3 Amps.

Several LEDs visible from the edge of the board monitor power (VIO, +12V, -12V, 5V, 3.3V) and key PCI bus

signals (INTx, BUSMODE1, REQ32). One LED senses the VIO signal voltage to indicate if the slot uses 3.3V (VIO = 3.3V) or 5V (VIO = 5V) PCI bus signaling.

A fan on the adapter, under the central area of the PMC card, is provided to effectively cool higher-powered PMC cards. The dimensions and positioning of the fan adheres to the IEEE 1386 PMC component height restrictions, allowing use of any IEEE 1386 compliant PMC in the adapter.

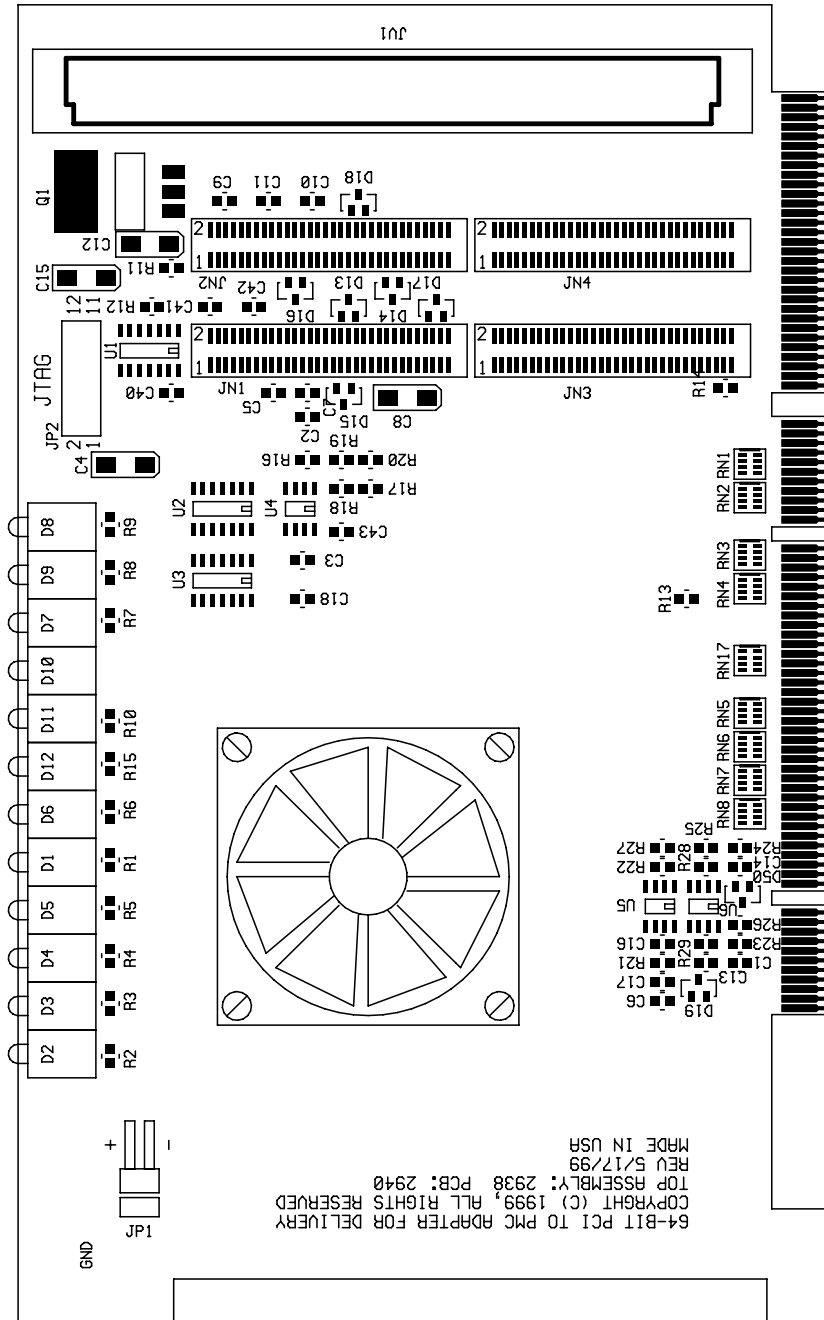
The BUSMODE[4..2] to the PMC is set for the PMC encoding (001).

The JTAG signals between the PCI bus and the PMC are intercepted with a header. This allows either jumpers to be installed to connect JTAG on the PMC to the PCI bus, or access to the JTAG signals to permit testing and programming of the user's PMC circuits.

The A and C rows of a 96-pin DIN connector, located toward the rear of the board, connect with the 64-pin user I/O connector (J4/P4) on the mezzanine card. This connection is specified by IEEE 1386 for the P2 connector on VMEbus boards and permits internal connection of rear I/O, should the PMC board support rear I/O connectivity.

A high quality 2.5 mm thick aluminum panel, with a 0.5 mm chamfered edge, is provided on the PCI board bracket. This mimics the mechanics of a PMC installed on a VMEbus board or other host environment, and allows the PMC bezel to be firmly seated on the board.

64-bit PMC to PCI Adapter for Delivery



Product Summary

Technobox Part Number:	2938
Typical Power Dissipation:	N/A
Power Supplies Required:	Per PMC under test
PCI Signaling Environment:	3.3V, 5V



Artisan Technology Group is your source for quality new and certified-used/pre-owned equipment

- FAST SHIPPING AND DELIVERY
- TENS OF THOUSANDS OF IN-STOCK ITEMS
- EQUIPMENT DEMOS
- HUNDREDS OF MANUFACTURERS SUPPORTED
- LEASING/MONTHLY RENTALS
- ITAR CERTIFIED SECURE ASSET SOLUTIONS

SERVICE CENTER REPAIRS

Experienced engineers and technicians on staff at our full-service, in-house repair center

*InstraView*SM REMOTE INSPECTION

Remotely inspect equipment before purchasing with our interactive website at www.instraview.com ↗

WE BUY USED EQUIPMENT

Sell your excess, underutilized, and idle used equipment. We also offer credit for buy-backs and trade-ins. www.artisanng.com/WeBuyEquipment ↗

LOOKING FOR MORE INFORMATION?

Visit us on the web at www.artisanng.com ↗ for more information on price quotations, drivers, technical specifications, manuals, and documentation

Contact us: (888) 88-SOURCE | sales@artisanng.com | www.artisanng.com