



Artisan Technology Group is your source for quality new and certified-used/pre-owned equipment

- FAST SHIPPING AND DELIVERY
- TENS OF THOUSANDS OF IN-STOCK ITEMS
- EQUIPMENT DEMOS
- HUNDREDS OF MANUFACTURERS SUPPORTED
- LEASING/MONTHLY RENTALS
- ITAR CERTIFIED SECURE ASSET SOLUTIONS

SERVICE CENTER REPAIRS

Experienced engineers and technicians on staff at our full-service, in-house repair center

*InstraView*SM REMOTE INSPECTION

Remotely inspect equipment before purchasing with our interactive website at www.instraview.com ↗

WE BUY USED EQUIPMENT

Sell your excess, underutilized, and idle used equipment. We also offer credit for buy-backs and trade-ins. www.artisanng.com/WeBuyEquipment ↗

LOOKING FOR MORE INFORMATION?

Visit us on the web at www.artisanng.com ↗ for more information on price quotations, drivers, technical specifications, manuals, and documentation

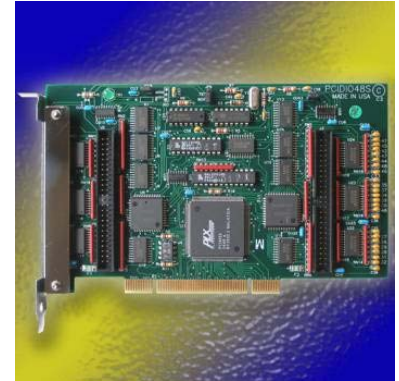
Contact us: (888) 88-SOURCE | sales@artisanng.com | www.artisanng.com



PCI-DIO Series 24 and 48 Digital Input/Output Cards

Features

- Universal PCI, PCI-X, 3.3V and 5V compatible (Call for PCI-Express availability)
 - 24 or 48 bits of digital I/O
 - Interrupt generation on input change-of-state (Model 48S)
 - All I/O lines buffered on the card
 - I/O buffers can be enabled/disabled under program control
 - Four- and eight-bit ports independently selectable for I/O
 - Pull-ups on I/O lines
 - +5V supply available to the user
 - Compatible with industry standard I/O racks like Gordos, Opto-22, Potter & Brumfield, etc.
 - No base address or IRQ switches to set
- RoHS Available. Please contact us for ordering information



The PCI-DIO-48/48S, PCI-DIO-48JP/JPS, PCI-DIO-48JPL/JPLS, PCI-DIO-48H/HS and PCI-DIO-24S are 24- and 48-bit parallel digital input/output cards designed for use in PCI-Bus computers. The card is 6.9 inches (175 mm) long and may be installed in any 5-volt PCI slot in IBM and compatible computers.

The 48J/48JS cards use a 68-pin SCSI-type connector, while the 48H/48HS cards use a 100-pin SCSI-type connector. The 48JP/48JPS cards use a 68-pin SCSI-type connector which is pin-in-socket, and has jack-screws provided as a means to retain the mating cable. The 48JPL/48JPLS cards use the 68-pin SCSI-type pin-in-socket connectors; however one-touch latches are used instead of jack screws. The 48/48S cards use 50-pin headers on the face of the board, as well as the 24S card which is simply a depopulated 48S card.

The cards contain two Programmable Peripheral Interface chips type 8255-5 (PPI) to provide computer interface to the 48 I/O lines. Each PPI provides three 8-bit ports A, B and C. Each 8-bit port can be software configured to function as either inputs or latched outputs. Port C can also be configured with four inputs and four output latches.

Each I/O line is buffered and capable of sourcing 15 mA or sinking 24 mA (64 mA on request). Tristate I/O line buffers are configured automatically by the hardware logic for input or output use according to a direction control signal from the control register in the PPI. Pull-ups on the card assure that there are no erroneous outputs at power up until the card is initialized by system software.

These cards use one address space, and occupy 16 consecutive register locations. When the card is first installed, Windows will detect it as new hardware and assign it an IRQ number and base address. There are no switches to set or base addresses to assign, making it easy to use. You cannot set or change the card's base address, you can only determine what the system has assigned. The PCI Bus supports 64K of I/O address space so your card's address may be located anywhere in the 0000 to FFFF range.

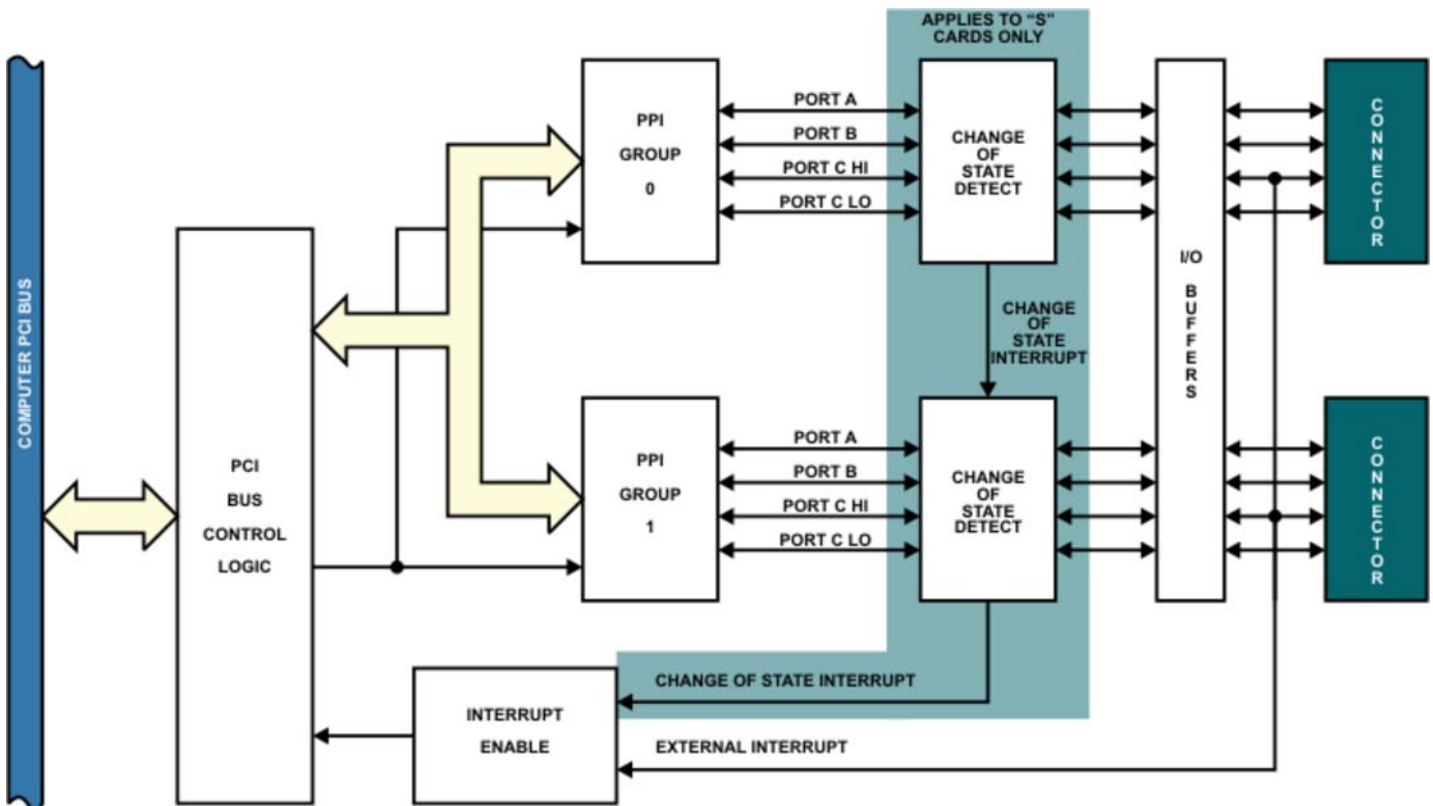
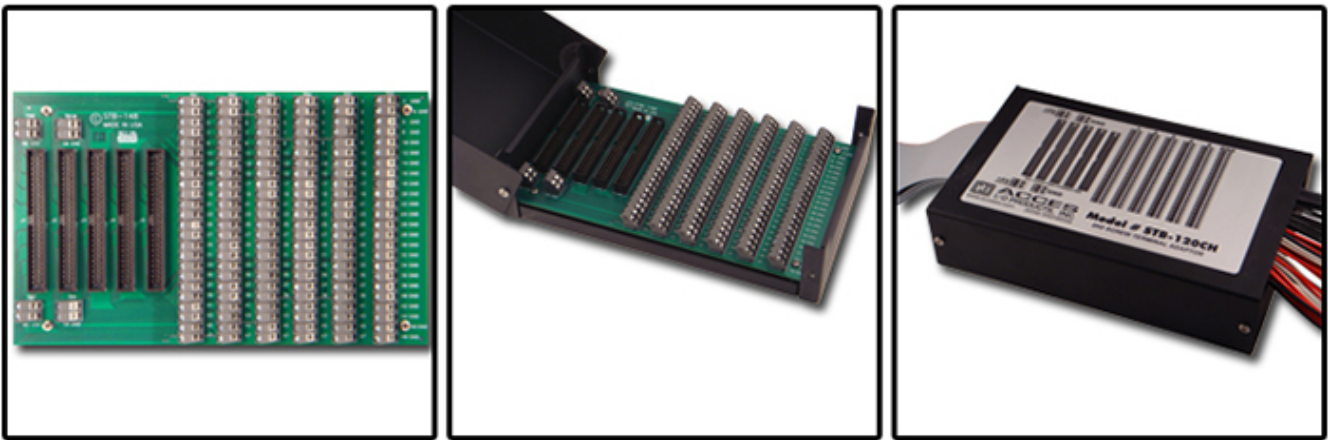
INTERRUPTS

The distinguishing feature for the "48S" model is that the state of all inputs can be monitored and if one or more of the bits change states, a latched interrupt request can be generated. Therefore it is not necessary to use software polling on the inputs to detect a change of state condition. The change-of-state interrupt is enabled by a software write command to an interrupt-enable register. Once latched, the change-of-state interrupt can be cleared by a software write.

The C3 bit on either 24-bit port can be used as an external interrupt to the computer if interrupt enable (IEN) jumpers are installed. When C3 is level triggered, an interrupt is requested. Interrupts from the two ports are OR'ed together with any change-of-state interrupt. The interrupts are assigned by the system.

ACCESSORIES

Available accessories include a wide variety of cables and screw terminal boards for quick and easy connectivity.



Specifications

Digital Inputs (TTL Compatible)

- Logic High: 2.0 to 5.0 VDC
- Logic Low: -0.5 to +0.8 VDC
- Input Load (Hi): 20 μ A
- Input Load (Lo): -200 μ A

Digital Outputs

- Logic High: 2.0 VDC min., source 32 mA
- Logic Low: 0.55 VDC max., sink 64 mA (64 mA optional)

Power Output

- +5 VDC from computer bus (ext. 1A fast-blow fuse recommended)

Power Required

- +5 VDC at 200 mA typical

Size

- 6.9" (175 mm) long

Environmental

- Operating Temperature: 0^o to 60^o C
- Storage Temperature: -50^o to +120^o C
- Humidity: 0 to 90% RH, non-condensing

Regulatory Compliance

- This product is in full compliance with CE requirements. 

Model	Price (USD)
PCI-DIO-48	225.00
PCI-DIO-48S	315.00
PCI-DIO-48H	255.00
PCI-DIO-48JP/JPL	255.00
PCI-DIO-48HS	345.00
PCI-DIO-48JPS/JPLS	345.00
PCI-DIO-24S	219.00

View / Download the [PCI-DIO-48S Manual](#) (.PDF)

View / Download the [PCI-DIO-48H Manual](#) (.PDF)

View / Download the [Software Reference Manual](#) (.PDF)



Artisan Technology Group is your source for quality new and certified-used/pre-owned equipment

- FAST SHIPPING AND DELIVERY
- TENS OF THOUSANDS OF IN-STOCK ITEMS
- EQUIPMENT DEMOS
- HUNDREDS OF MANUFACTURERS SUPPORTED
- LEASING/MONTHLY RENTALS
- ITAR CERTIFIED SECURE ASSET SOLUTIONS

SERVICE CENTER REPAIRS

Experienced engineers and technicians on staff at our full-service, in-house repair center

*InstraView*SM REMOTE INSPECTION

Remotely inspect equipment before purchasing with our interactive website at www.instraview.com ↗

WE BUY USED EQUIPMENT

Sell your excess, underutilized, and idle used equipment. We also offer credit for buy-backs and trade-ins. www.artisanng.com/WeBuyEquipment ↗

LOOKING FOR MORE INFORMATION?

Visit us on the web at www.artisanng.com ↗ for more information on price quotations, drivers, technical specifications, manuals, and documentation

Contact us: (888) 88-SOURCE | sales@artisanng.com | www.artisanng.com