



Artisan Technology Group is your source for quality new and certified-used/pre-owned equipment

- FAST SHIPPING AND DELIVERY
- TENS OF THOUSANDS OF IN-STOCK ITEMS
- EQUIPMENT DEMOS
- HUNDREDS OF MANUFACTURERS SUPPORTED
- LEASING/MONTHLY RENTALS
- ITAR CERTIFIED SECURE ASSET SOLUTIONS

SERVICE CENTER REPAIRS

Experienced engineers and technicians on staff at our full-service, in-house repair center

*InstraView*SM REMOTE INSPECTION

Remotely inspect equipment before purchasing with our interactive website at www.instraview.com ↗

WE BUY USED EQUIPMENT

Sell your excess, underutilized, and idle used equipment. We also offer credit for buy-backs and trade-ins. www.artisanng.com/WeBuyEquipment ↗

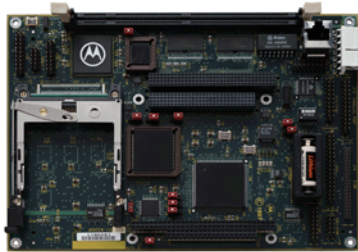
LOOKING FOR MORE INFORMATION?

Visit us on the web at www.artisanng.com ↗ for more information on price quotations, drivers, technical specifications, manuals, and documentation

Contact us: (888) 88-SOURCE | sales@artisanng.com | www.artisanng.com

MBX860

EBX Form Factor
Embedded Controller



EBX form factor board featuring the MPC860 PowerQUICC processor

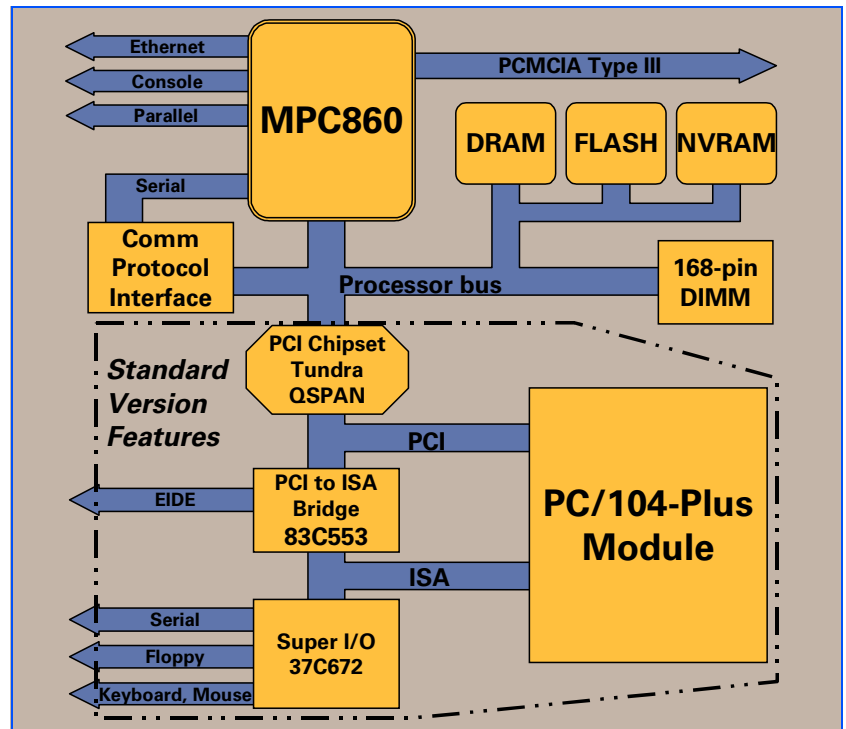
MBX860 is a small, standard EBX form factor board for embedded applications. Featuring the MPC860 PowerQUICC processor, with integrated communications and RISC processing, MBX860 delivers the real-time performance that today's embedded applications demand. Open interfaces, including PC/104-Plus and PCMCIA, make adding the right hardware for the job easy. And with support from industry-leading, real-time development tools (such as Tornado or VxWorks from Wind River Systems, OS-9 from Microware Systems, pSOSystem from Integrated Systems, LynxOS from LynuxWorks Inc., SingleStep from Software Development Systems, and CodeWarrior from Metrowerks) getting applications up and running is easier than ever.

Entry-level Version

- MPC860 PowerQUICC processor with integrated MMU and communications functions
- 4MB on-board DRAM with optional parity
- 2MB Flash memory; 32KB NVRAM with battery backup
- One 168-pin DIMM socket; addresses up to 128MB DRAM using 3.3 V, unbuffered, 60 ns EDO, x64 or x72 DIMM
- RTC, watchdog timer, four 16-bit timers (in processor)
- Serial port, parallel port and one PCMCIA slot (Type I, II, or III)
- 10BaseT Ethernet interface

Standard Version – Additional Features

- Optional DRAM: 16MB on-board with optional parity
- Up to 8MB Flash
- PC/104-Plus interface, with Tundra QSpan and Winbond 83C553
- EIDE port (Winbond 83C553), two additional serial ports



SPECIFICATIONS

Processor

Microprocessor: MPC860EN
Clock Frequency: 50 MHz
Performance: 52/62 MIPS estimated

Power Requirements (board only)

Values indicate the typical consumption of a standard configuration MBX embedded controller with 16MB on-board RAM.

Total Consumption: 17 watts typical
+5 V ±5%: 2.6 amps typical
+3.3 V ±10%: 1.0 amps typical

Environmental

	Operating	Nonoperating
Temperature:	0° C to +70° C, forced air cooling	-40° C to +85° C
Humidity (NC):	10% to 80%	10% to 90%
Vibration:	2 Gs RMS, 20–2000 Hz random	6 Gs RMS, 20–2000 Hz random

Board Size

Width, Length: 5.75 in. x 8.0 in.
Height: 0.75 in., without installed DIMM or PC/104-Plus modules

Demonstrated MTBF

(based on a sample of eight boards in accelerated stress environment)

Mean: 190,509 hours
95% Confidence: 107,681 hours

Electromagnetic Compatibility (EMC)

Intended for use in systems meeting the following regulations:

U.S.: FCC Part 15, Subpart B, Class A or B

Canada: ICES-003, Class A or B

This product was tested in a representative system to the following standards:

CE Mark per European EMC Directive 89/336/EEC with Amendments; Emissions: EN55022 Class B; Immunity: EN55024

Ordering Information

Part Number	Description
MBX860-000C	Entry-level version, 16MB DRAM, 8MB Flash
MBX860-001C	Standard version, 4MB DRAM, 4MB Flash, auxiliary ports
MBX860-002C	Standard version, 4MB DRAM, 4MB Flash, EIDE, PC/104-Plus, auxiliary ports
MBX860-006C	Standard version, 16MB DRAM, 8MB Flash, EIDE, PC/104-Plus, auxiliary ports
Documentation	
MBXCA/IH1	MBX Series Embedded Controller Version C Installation and Use
Documentation is available for online viewing and ordering at http://www.motorola.com/computer/literature	

Motorola Computer Group Regional Offices

NORTH AMERICA: Tempe, AZ 800-759-1107 or 602-438-5720
 EUROPE: Loughborough, UK +44 1509 634300
 EAST MEDITERRANEAN: Tel Aviv, Israel +972 3 568 4388

ASIA: Shanghai, China +86 21 5292 5693
 PACIFIC RIM: Tokyo, Japan +81 3 5424 3101
 ASIA/PACIFIC: Hong Kong +852 2966 3210



www.motorola.com/computer

MOTOROLA and the Stylized M Logo are registered in the U.S. Patent and Trademark Office. All other product or service names are the property of their respective owners.

© 1997, 2000, 2002 Motorola, Inc. All rights reserved.

This datasheet identifies products, their specifications, and their characteristics, which may be suitable for certain applications. It does not constitute an offer to sell or a commitment of present or future availability, and should not be relied upon to state the terms and conditions, including warranties and disclaimers thereof, on which Motorola may sell products. A prospective buyer should exercise its own independent judgement to confirm the suitability of the products for particular applications. Motorola reserves the right to make changes, without notice, to any products or information herein which will, in its sole discretion, improve reliability, function, or design. Motorola does not assume any liability arising out of the application or use of any product or circuit described herein; neither does it convey any license under its patent or other intellectual property rights or under others. This disclaimer extends to any prospective buyer, and it includes Motorola's licensee, licensee's transferees, and licensee's customers and users. Availability of some of the products and services described herein may be restricted in some locations.

MBXMB-D7 12/02



Artisan Technology Group is your source for quality new and certified-used/pre-owned equipment

- FAST SHIPPING AND DELIVERY
- TENS OF THOUSANDS OF IN-STOCK ITEMS
- EQUIPMENT DEMOS
- HUNDREDS OF MANUFACTURERS SUPPORTED
- LEASING/MONTHLY RENTALS
- ITAR CERTIFIED SECURE ASSET SOLUTIONS

SERVICE CENTER REPAIRS

Experienced engineers and technicians on staff at our full-service, in-house repair center

*InstraView*SM REMOTE INSPECTION

Remotely inspect equipment before purchasing with our interactive website at www.instraview.com ↗

WE BUY USED EQUIPMENT

Sell your excess, underutilized, and idle used equipment. We also offer credit for buy-backs and trade-ins. www.artisanng.com/WeBuyEquipment ↗

LOOKING FOR MORE INFORMATION?

Visit us on the web at www.artisanng.com ↗ for more information on price quotations, drivers, technical specifications, manuals, and documentation

Contact us: (888) 88-SOURCE | sales@artisanng.com | www.artisanng.com