



## Artisan Technology Group is your source for quality new and certified-used/pre-owned equipment

- FAST SHIPPING AND DELIVERY
- TENS OF THOUSANDS OF IN-STOCK ITEMS
- EQUIPMENT DEMOS
- HUNDREDS OF MANUFACTURERS SUPPORTED
- LEASING/MONTHLY RENTALS
- ITAR CERTIFIED SECURE ASSET SOLUTIONS

### SERVICE CENTER REPAIRS

Experienced engineers and technicians on staff at our full-service, in-house repair center

### *InstraView*<sup>SM</sup> REMOTE INSPECTION

Remotely inspect equipment before purchasing with our interactive website at [www.instraview.com](http://www.instraview.com) ↗

### WE BUY USED EQUIPMENT

Sell your excess, underutilized, and idle used equipment. We also offer credit for buy-backs and trade-ins. [www.artisanng.com/WeBuyEquipment](http://www.artisanng.com/WeBuyEquipment) ↗

### LOOKING FOR MORE INFORMATION?

Visit us on the web at [www.artisanng.com](http://www.artisanng.com) ↗ for more information on price quotations, drivers, technical specifications, manuals, and documentation

**Contact us:** (888) 88-SOURCE | [sales@artisanng.com](mailto:sales@artisanng.com) | [www.artisanng.com](http://www.artisanng.com)

# SINAMICS S120 Servo Motor Modules

## Double Motor Modules

### Design



Double Motor Modules feature the following interfaces as standard:

- 2 x DC link connections via integrated DC link busbars
- 2 x electronics power supply connections via integrated 24 V DC bars
- 4 x DRIVE-CLiQ sockets
- 2 x plug-in motor connections (not included in scope of supply)
- 4 x safe standstill input terminals (1 input per axis)
- 2 x safe motor brake control
- 2 x temperature sensor inputs (KTY84-130)
- 3 x PE (protective earth) connections

The status of the Motor Modules is indicated via two multi-color LEDs.

On Double Motor Modules, the motor cable shield can be connected in the connector.

The signal line shield can be connected to the line module via a shield connection terminal, e.g. Weidmüller type KLBÜ 3-8 SC. The shield connection terminal must not be used for strain relief.

### Selection and ordering data

Double Motor Module	Rated power	Order No.
Rated output current	kW (HP)	
A		
3	1.6 (2)	<b>6SL3120-2TE13-0AA0</b>
5	2.7 (3.5)	<b>6SL3120-2TE15-0AA0</b>
9	4.8 (6.5)	<b>6SL3120-2TE21-0AA0</b>
18	9.7 (13)	<b>6SL3120-2TE21-8AA0</b>

### Accessories

Description	Order No.
<b>DC link power supply adapter</b> for direct infeed of DC link voltage Screw-type terminals 0.5-10 mm <sup>2</sup> for 50 mm (1.97 in) and 100 mm (3.94 in) Line/Motor Modules	<b>6SL3162-2BD00-0AA0</b>
<b>DC link power supply adapter</b> for direct infeed of DC link voltage Screw-type terminals 35-95 mm <sup>2</sup> for 150 mm (5.91 in), 200 mm (7.87 in) and 300 mm (11.81 in) Line/Motor Modules	<b>6SL3162-2BM00-0AA0</b>
<b>DC link adapters (2x)</b> for multi-tier configuration Screw-type terminals 35-95 mm <sup>2</sup> for all Line/Motor Modules in booksize format	<b>6SL3162-2BM01-0AA0</b>
<b>24 V terminal adapter</b>	<b>6SL3162-2AA00-0AA0</b>
<b>Warning labels in foreign languages</b> This set of foreign language warning labels can be placed over the standard German or English signs. One label in each of the following languages is provided in each set: Chinese, Danish, Dutch, Finnish, French, Greek, Italian, Japanese, Korean, Portu- guese, Spanish and Swedish.	<b>6SL3166-3AB00-0AA0</b>
Plug-in motor brake connector Wago <a href="http://www.wago.com">http://www.wago.com</a>	Item No.: 231-102/037-000 (Wago)

# SINAMICS S120 Servo Motor Modules

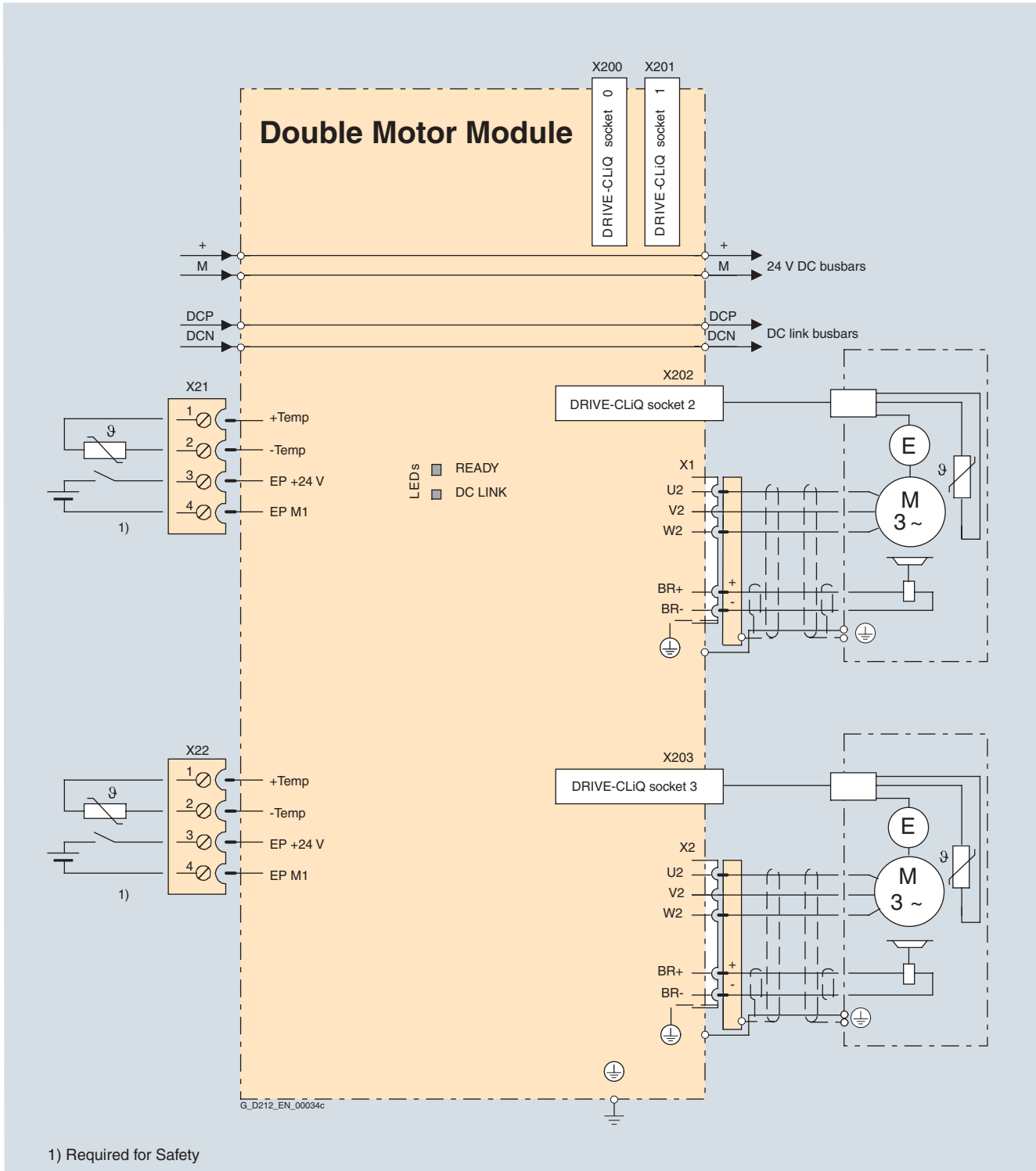
## Double Motor Modules

### Integration

The Double Motor Module communicates with the CU320 Control Unit via DRIVE-CLiQ and receives its control information via this route.

The required DRIVE-CLiQ cable for connecting to the next DRIVE-CLiQ device in the axis grouping is included in the scope of supply. The length of this DRIVE-CLiQ cable depends on the module width.

2



Wiring diagram for the 2x3 A to 2x18 A Double Motor Modules

# SINAMICS S120 Servo Motor Modules

## Double Motor Modules

2

### Technical data

Double Motor Module		6SL3120-2TE13-0AA0	6SL3120-2TE15-0AA0	6SL3120-2TE21-0AA0	6SL3120-2TE21-8AA0
Rated output current $I_{rated}$	A	2×3	2×5	2×9	2×18
Output current for S6 duty (40%) $I_{S6}$	A	2×3.5	2×6	2×10	2×24
Max. output current $I_{max}$	A	2×6	2×10	2×18	2×36
Rated power at 600 V DC DC link voltage	kW (HP)	2×1.6 (2)	2×2.7 (3.5)	2×4.8 (6.5)	2×9.7 (13)
DC link voltage range	V	510 to 750	510 to 750	510 to 750	510 to 750
DC link overvoltage tripping	V	820 (± 2%)	820 (± 2%)	820 (± 2%)	820 (± 2%)
DC link busbar current capacity	A	100	100	100	100
DC link capacitance	µF	110	220	220	710
Max. current requirement (at 24 V DC)	A	0.8	1.0	1.0	1.0
24 V DC busbar current capacity	A	20	20	20	20
If, due to a number of line and motor modules being mounted side-by-side, the current carrying capacity exceeds 20 A, an additional 24 V DC connection using a 24 V terminal adapter is required (max. cross-section 6 mm <sup>2</sup> , max. fuse protection 20 A).					
Efficiency	η	0.97	0.97	0.97	0.97
Power loss	kW	0.06	0.085	0.16	0.32
Cooling air requirement	m <sup>3</sup> /s (ft <sup>3</sup> /s)	0.008 (0.283)	0.008 (0.283)	0.008 (0.283)	0.016 (0.565)
Sound pressure level	dB	< 70	< 70	< 70	< 70
Motor connection U2, V2, W2		2×plug-in connector (X1, X2), max. 30 A	2×plug-in connector (X1, X2), max. 30 A	2×plug-in connector (X1, X2), max. 30 A	2×plug-in connector (X1, X2), max. 30 A
PE connection		On housing with M5 screw	On housing with M5 screw	On housing with M5 screw	On housing with M5 screw
Motor brake connection		Integrated in the plug-in motor connector (X1, X2), 24 V DC, 2 A	Integrated in the plug-in motor connector (X1, X2), 24 V DC, 2 A	Integrated in the plug-in motor connector (X1, X2), 24 V DC, 2 A	Integrated in the plug-in motor connector (X1, X2), 24 V DC, 2 A
Max. motor power cable length	m (ft)	50 (164) (shielded) 75 (246) (unshielded)	50 (164) (shielded) 75 (246) (unshielded)	50 (164) (shielded) 75 (246) (unshielded)	50 (164) (shielded) 75 (246) (unshielded)
Width	mm (inch)	50 (1.97)	50 (1.97)	50 (1.97)	100 (3.94)
Height	mm (inch)	380 (14.96)	380 (14.96)	380 (14.96)	380 (14.96)
Depth	mm (inch)	270 (10.63)	270 (10.63)	270 (10.63)	270 (10.63)
Weight, approx.	kg (lb)	5.1 (11.2)	5.1 (11.2)	5.1 (11.2)	6.6 (14.6)



## Artisan Technology Group is your source for quality new and certified-used/pre-owned equipment

- FAST SHIPPING AND DELIVERY
- TENS OF THOUSANDS OF IN-STOCK ITEMS
- EQUIPMENT DEMOS
- HUNDREDS OF MANUFACTURERS SUPPORTED
- LEASING/MONTHLY RENTALS
- ITAR CERTIFIED SECURE ASSET SOLUTIONS

### SERVICE CENTER REPAIRS

Experienced engineers and technicians on staff at our full-service, in-house repair center

### *InstraView*<sup>SM</sup> REMOTE INSPECTION

Remotely inspect equipment before purchasing with our interactive website at [www.instraview.com](http://www.instraview.com) ↗

### WE BUY USED EQUIPMENT

Sell your excess, underutilized, and idle used equipment. We also offer credit for buy-backs and trade-ins. [www.artisanng.com/WeBuyEquipment](http://www.artisanng.com/WeBuyEquipment) ↗

### LOOKING FOR MORE INFORMATION?

Visit us on the web at [www.artisanng.com](http://www.artisanng.com) ↗ for more information on price quotations, drivers, technical specifications, manuals, and documentation

**Contact us:** (888) 88-SOURCE | [sales@artisanng.com](mailto:sales@artisanng.com) | [www.artisanng.com](http://www.artisanng.com)