



Artisan Technology Group is your source for quality new and certified-used/pre-owned equipment

- FAST SHIPPING AND DELIVERY
- TENS OF THOUSANDS OF IN-STOCK ITEMS
- EQUIPMENT DEMOS
- HUNDREDS OF MANUFACTURERS SUPPORTED
- LEASING/MONTHLY RENTALS
- ITAR CERTIFIED SECURE ASSET SOLUTIONS

SERVICE CENTER REPAIRS

Experienced engineers and technicians on staff at our full-service, in-house repair center

*InstraView*SM REMOTE INSPECTION

Remotely inspect equipment before purchasing with our interactive website at www.instraview.com ↗

WE BUY USED EQUIPMENT

Sell your excess, underutilized, and idle used equipment. We also offer credit for buy-backs and trade-ins. www.artisanng.com/WeBuyEquipment ↗

LOOKING FOR MORE INFORMATION?

Visit us on the web at www.artisanng.com ↗ for more information on price quotations, drivers, technical specifications, manuals, and documentation

Contact us: (888) 88-SOURCE | sales@artisanng.com | www.artisanng.com

Z8 Series Motorized DC Servo Actuators

User Guide



Original Instructions

Contents

Chapter 1 Safety	3
1.1 <i>Safety Information</i>	3
1.2 <i>General Warnings</i>	3
Chapter 2 Overview	5
2.1 <i>Description</i>	5
Chapter 3 Connection Details & Specifications	6
3.1 <i>Pin Assignments</i>	6
3.2 <i>Description of connections</i>	6
Chapter 4 Operation and Maintenance	8
4.1 <i>Compatible Drivers and Software</i>	8
4.2 <i>Maintenance</i>	8
4.3 <i>Dimensions</i>	9
Chapter 5 Specification	10
Chapter 6 Regulatory	11
6.1 <i>Declarations Of Conformity</i>	11
6.2 <i>For Customers in Europe</i>	11
6.3 <i>For Customers In The USA</i>	11
6.4 <i>Waste Electrical and Electronic Equipment (WEEE) Directive</i>	12
6.5 <i>Compliance</i>	12
6.6 <i>Waste treatment on your own responsibility</i>	13
6.7 <i>Ecological background</i>	13
Chapter 7 CE Certification	14
Chapter 8 Thorlabs Worldwide Contacts	15

Chapter 1 Safety

1.1 Safety Information

For the continuing safety of the operators of this equipment, and the protection of the equipment itself, the operator should take note of the **Warnings, Cautions** and **Notes** throughout this handbook and, where visible, on the product itself.

The following safety symbols may be used throughout the handbook and on the equipment itself.



 **Shock Warning** 
Given when there is a risk of injury from electrical shock.

 **Warning** 
Given when there is a risk of injury to users.

 **Caution** 
Given when there is a risk of damage to the product.

Note
Clarification of an instruction or additional information.

1.2 General Warnings

 **Warnings** 
These Motorized Actuators can generate high forces. If handled improperly, they may cause injury. Be aware that failure of the motor controller may drive the unit into a hard stop and cause damage to the unit.
To avoid injury never put anything in the gap between the Actuator and any rigid structure.



Caution



If the actuator encounters a hard stop while still in the middle of its range (i.e. a translation stage at the end of its travel range), the motor should be stopped as soon as possible to prevent damage to the gear head or motor and to keep the unit from overheating.

When the Z8 motors are fitted to certain optomech products e.g. the GNL series Goniometers, it is possible that the motor will reach the mechanical hardstops of the stage before the motor limit switches are activated. In this case, DO NOT continue to drive the motor into the hardstop as this will damage the motor. As a guide, the total current drawn should not exceed 80 mA.



Caution



The control PC used to operate the driver for the Z8 series actuators must be running APT Software version 2.8.0 or higher.

Earlier versions of software do not support this product.



Caution



When storing these units, be sure to fully retract the lead screw to protect the threads from damage. Improper connection of the motor will result in permanent damage. All power supplied to the motor should be turned off before altering any connections to the motor. Check all connections before supplying power to the motor.

Chapter 2 Overview

2.1 Description

Thorlabs has developed this series of high-resolution motorized actuators for use in high precision applications. From drop-in replacements to custom mounts, these motorized actuators will satisfy even the most demanding requirements. Three different travel lengths are offered; 6.0 mm, 12.0 mm and 25.0 mm.

The Z812B and Z825B actuators are shipped with a clamping bush fitted, ready for use with a 3/8" barrel mount. The Z806 and Z812 actuators thread into a 1/4" -80 mounting bush.

The Z800 series Motorized Actuators use a 12V DC servomotor that provides sufficient torque for high load capabilities. Utilizing a 67:1 gear reduction head and a 512 counts per rev precision encoder gives a minimum resolution of 29 nm. The actuators allow very small step sizes over the entire travel range, delivering greater flexibility with negligible backlash and fine resolution. The DC servomotor allows for continuously variable speeds while the optical encoder allows closed loop operation. The actuators use integrated hard stops that automatically cut the power when they have reached their mechanical limits.

The Z800 series Motorized Actuators are light, compact, and extremely durable. They are ideal for use in mirror mounts, translation stages, microscopes, OEM applications, and a wide variety of other components that require higher precision than most standard drive mechanisms allow.



Fig. 2.1 Z8 Series Actuators

Chapter 3 Connection Details & Specifications

3.1 Pin Assignments

Pin assignments for the D-Type connector on the motor flying lead are described below..

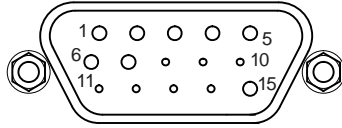


Fig. 3.1 Output Connector

Pin	Description	Pin	Description
1	Ground (Limit and Vcc)	9	Ident Resistor
2	Forward Limit	10	Vcc (+5 V DC)
3	Reverse Limit	11	Encoder Ch A
4	Reserved for Future Use	12	Reserved for Future Use
5	Motor (-)	13	Encoder Ch B
6	Reserved for Future Use	14	Reserved for Future Use
7	Motor (+)	15	Reserved for Future Use
8	Reserved for Future Use		

3.2 Description of connections

Motor (+): supplies a +12 VDC supply to the motor of the actuator. The maximum current is 240 mA.

Vcc: a connection should be made to a +5 VDC supply to power both channels A and B on the encoder.

Encoder Channels A and B: The Z800 series actuators use a Hall Effect encoder. Both channels A and B are supplied by the Vcc (5 V DC) connection.

GND: the ground connection for the encoder.

Motor (-): supplies a -12 VDC supply to the motor of the actuator. The maximum current is 80 mA.

Limit Ground: a common ground for both the forward and reverse limit switches.

Reverse Limit: the reverse limit prevents over driving of the actuator at its minimum extension.

Forward Limit: the forward limit prevents over driving of the actuator at its full extension.

Note. When a limit switch is activated, the switch makes contact, and the associated output line is connected to ground (pin 1).

When using a third party controller, the inputs must be connected via a 10 k pull up resistor as shown below. When either switch operates, the associated input is pulled to ground and the TTL buffers switch.

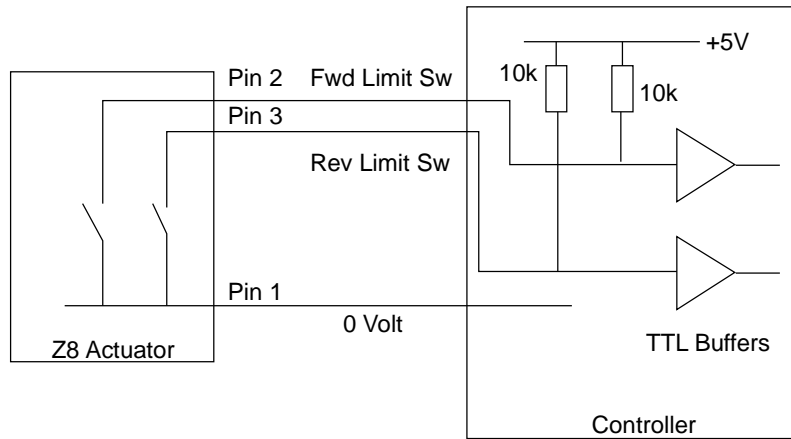


Fig. 3.2 Z8 Limit Switch Circuit

Chapter 4 Operation and Maintenance

4.1 Compatible Drivers and Software

The Thorlabs compatible controller for this product is the T-Cube Single Channel DC Servo Controller TDC001 with firmware 1.0.10 or higher. The use of these controllers ensures optimal performance. All above performance specifications are guaranteed only with use of Thorlabs controllers and drivers.

Furthermore, the control PC used to operate the driver must be running APT Software version 2.8.0 or higher. Earlier versions of software do not support this product.

4.2 Maintenance

Periodic greasing of the lead screw is advised, particularly in applications with a high duty cycle. Grease the lead screw thread as follows whenever the thread appears dry or the motor is noisy:

- 1) Drive the motor to extend the leadscrew to its full extent.
- 2) Apply a thin bead of high load, silicon free lubricant (e.g. Apiezon 100) as shown below.



Fig. 4.1 Greasing the Leadscrew

- 3) Drive the motor to retract the lead screw and distribute the grease.
- 4) Remove excess grease using a lint free cloth.

4.3 Dimensions

all dimensions in mm (inches)

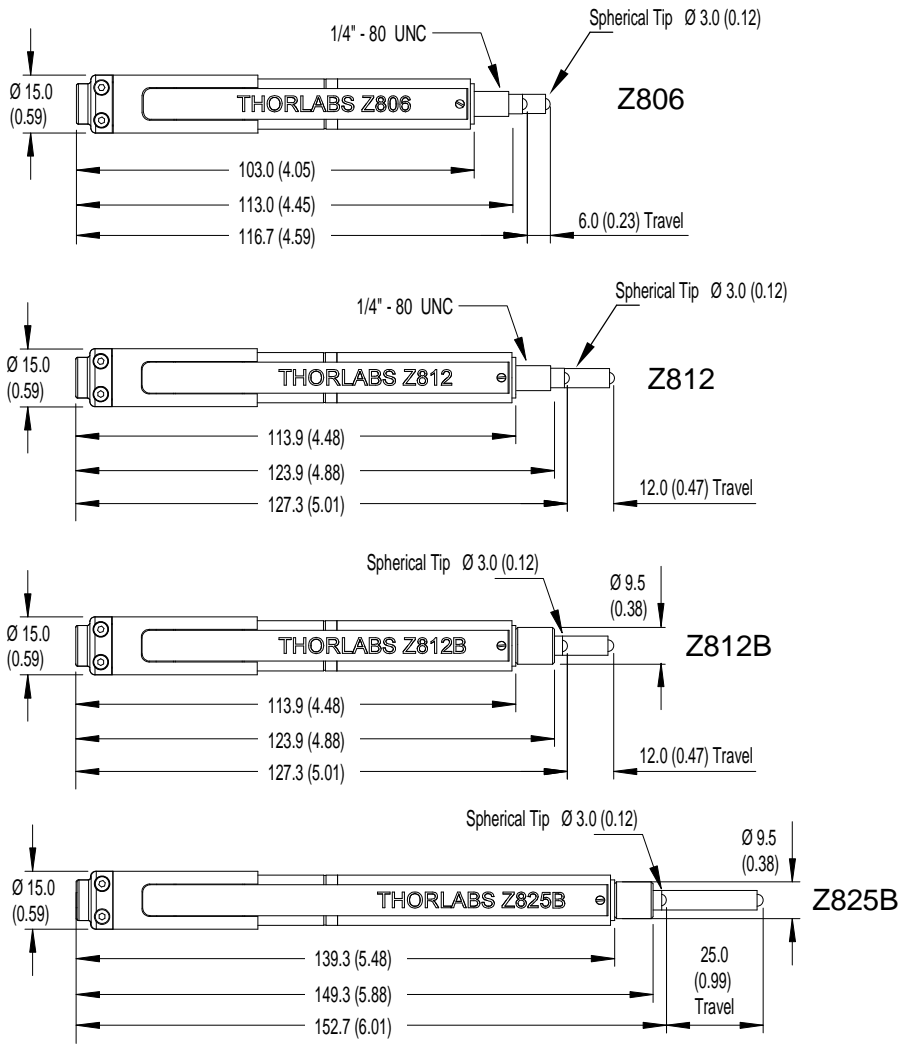


Fig. 4.2 Z8 Series Dimensions

Chapter 5 Specifications

5.1 Specifications

Specification	Z806	Z812/Z812B	Z825B
Travel Range	6 mm	12 mm	25 mm
Gear Reduction	67:1		
Lead Screw Pitch	1.0 mm		
Feedback	Motor-mounted rotary encoder 512 counts/rev of the motor 34,304 counts/rev of leadscrew		
Limit Switches	Electromechanical		
Motor Type	12 V DC Servo		
Backlash	<8 μ m		
Axial Load Capacity	9.0 kg		
Speed Range	50 μ m/sec to 2.6 mm/sec		
Calculated Resolution*	29 nm		
Phase to Phase Resistance	33.0 Ω		
Phase to Phase Inductance	0.6 mH		
Operating Temperature	41° to 104° F (5° to 40° C)		
Cable Length	1.6 ft (0.5 m)		
Connector	HDDB15		
Compatible Controller	TDC001 T-Cube DC Servo Controller		
<i>*Calculated Resolution. Actual resolution will depend on the applied load</i>			

* At 2.6 mm/sec, velocity ripple and distortion of the acceleration/deceleration profile may occur. For improved control, the max velocity should be limited to 2.3 mm/sec.

5.2 How to Calculate the Linear Displacement per Encoder Count

For the Z806, there are 512 encoder counts per revolution of the motor. The output shaft of the motor goes into a 67:1 planetary gear head. This requires the motor to rotate 67 times to rotate the 1.0 mm pitch lead screw one revolution. The end result is the lead screw advances by 1.0 mm.

To calculate the linear displacement of the actuator per encoder count:

$512 \times 67 = 34,304$ encoder counts per revolution of the lead screw

Linear displacement of the lead screw per encoder count is:

$1.0 \text{ mm} / 34,304 \text{ counts} = 2.9 \times 10^{-5} \text{ mm (29 nm)}$

5.3 Notes on Max Velocity and Acceleration/Deceleration Profile

Although the max velocity is quoted at 2.3 mm/sec, it is possible to drive the Z8 motor at speeds in excess of this figure. However, at higher velocities the controlled acceleration and deceleration profiles may be affected. If these controlled profiles are required, then the speed should be reduced to around 2.3 mm/s maximum.

Furthermore, the velocity ripple due to the PID loop in the TDC001 driver is greater when the unit is running at the higher velocities.

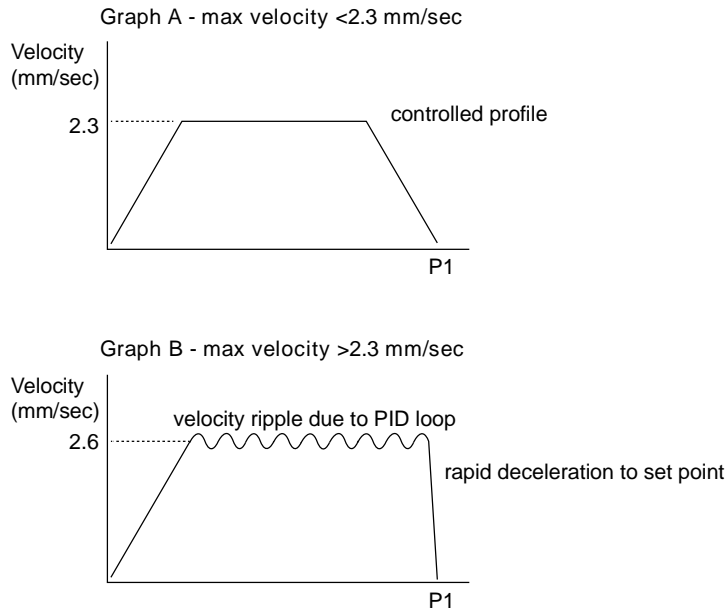


Fig. 5.1 Effects of Higher Velocity on

Chapter 6 Regulatory

6.1 Declarations Of Conformity

6.1.1 For Customers in Europe

This equipment has been tested and found to comply with the EC Directives 89/336/EEC 'EMC Directive' and 73/23/EEC 'Low Voltage Directive' as amended by 93/68/EEC.

Compliance was demonstrated by conformance to the following specifications which have been listed in the Official Journal of the European Communities:

Safety	EN61010: 2001 Installation Category II, Pollution Degree II.
EMC	EN61326: 1997

6.1.2 For Customers In The USA

This equipment has been tested and found to comply with the limits for a Class A digital device, pursuant to part 15 of the FCC rules. These limits are designed to provide reasonable protection against harmful interference when the equipment is operated in a commercial environment. This equipment generates, uses and can radiate radio frequency energy and, if not installed and used in accordance with the instruction manual, may cause harmful interference to radio communications. Operation of this equipment in a residential area is likely to cause harmful interference in which case the user will be required to correct the interference at his own expense.

Changes or modifications not expressly approved by the company could void the user's authority to operate the equipment.

6.2 Waste Electrical and Electronic Equipment (WEEE) Directive

6.2.1 Compliance

As required by the Waste Electrical and Electronic Equipment (WEEE) Directive of the European Community and the corresponding national laws, we offer all end users in the EC the possibility to return "end of life" units without incurring disposal charges.

This offer is valid for electrical and electronic equipment

- sold after August 13th 2005
- marked correspondingly with the crossed out "wheelie bin" logo (see Fig. 1)
- sold to a company or institute within the EC
- currently owned by a company or institute within the EC
- still complete, not disassembled and not contaminated

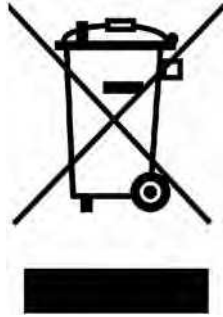


Fig. 6.1 Crossed out "wheelie bin" symbol

As the WEEE directive applies to self contained operational electrical and electronic products, this "end of life" take back service does not refer to other products, such as

- pure OEM products, that means assemblies to be built into a unit by the user (e. g. OEM laser driver cards)
- components
- mechanics and optics
- left over parts of units disassembled by the user (PCB's, housings etc.).

If you wish to return a unit for waste recovery, please contact Thorlabs or your nearest dealer for further information.

6.2.2 Waste treatment on your own responsibility

If you do not return an "end of life" unit to the company, you must hand it to a company specialized in waste recovery. Do not dispose of the unit in a litter bin or at a public waste disposal site.

6.2.3 Ecological background

It is well known that WEEE pollutes the environment by releasing toxic products during decomposition. The aim of the European RoHS directive is to reduce the content of toxic substances in electronic products in the future.

The intent of the WEEE directive is to enforce the recycling of WEEE. A controlled recycling of end of life products will thereby avoid negative impacts on the environment



E C Declaration of Conformity

We,

Thorlabs Ltd
1 Saint Thomas Place,
Cambridgeshire Business Park,
Ely, Cambridgeshire
CB7 4EX

declare that the Z8 series of DC motor actuators comply with the following
Harmonized European Standards:

BS EN 61326-1:1998
BS EN 61000-3-2: 2000
BS EN 61000-3-3: 1995
EN 61010-1: 2001

And is in conformity with

93/68/EEC CE Marking Directive (1996)
89/336/EEC EMC Directive (1996)
73/23/EEC Low Voltage Directive (1997)

Signed in

Ely
(place)

On the 28 day of November 2011
(day) (month) (year)

Chapter 8 Thorlabs Worldwide Contacts

USA, Canada, and South America

Thorlabs, Inc.
56 Sparta Ave
Newton, NJ 07860
USA
Tel: 973-579-7227
Fax: 973-300-3600
www.thorlabs.com
www.thorlabs.us (West Coast)
email: feedback@thorlabs.com
Support: techsupport@thorlabs.com

Europe

Thorlabs GmbH
Hans-Böckler-Str. 6
85221 Dachau
Germany
Tel: +49-(0)8131-5956-0
Fax: +49-(0)8131-5956-99
www.thorlabs.de
email: Europe@thorlabs.com

UK and Ireland

Thorlabs Ltd.
1 Saint Thomas Place, Ely
Cambridgeshire CB7 4EX
Great Britain
Tel: +44 (0)1353-654440
Fax: +44 (0)1353-654444
www.thorlabs.de
email: sales@uk.thorlabs.com
Support:
techsupport.uk@thorlabs.com

France

Thorlabs SAS
109, rue des Côtes
78600 Maisons-Laffitte
France
Tel: +33 (0) 970 444 844
Fax: +33 (0) 811 381 748
www.thorlabs.de
email: sales.fr@thorlabs.com

Scandinavia

Thorlabs Sweden AB
Box 141 94
400 20 Göteborg
Sweden
Tel: +46-31-733-30-00
Fax: +46-31-703-40-45
www.thorlabs.de
email: scandinavia@thorlabs.com

Japan

Thorlabs Japan Inc.
Higashi Ikebukuro
Q Building 1st Floor 2-23-2
Toshima-ku, Tokyo 170-0013
Japan
Tel: +81-3-5979-8889
Fax: +81-3-5979-7285
www.thorlabs.jp
email: sales@thorlabs.jp

China

Thorlabs China
Oasis Middlering Centre
3 Building 712 Room
915 Zhen Bei Road
Shanghai
China
Tel: +86 (0)21-32513486
Fax: +86 (0)21-32513480
www.thorlabs.com
email: chinasales@thorlabs.com



Thorlabs Inc.
56 Sparta Ave
Newton, NJ07860
USA

Tel: +1 973 579 7227
Fax: +1 973 300 3600
www.thorlabs.com

Thorlabs Ltd.
1 Saint Thomas Place, Ely
Cambridgeshire CB7 4EX,
UK
Tel: +44 (0) 1353 654440
Fax: +44 (0) 1353 654444
www.thorlabs.com



Artisan Technology Group is your source for quality new and certified-used/pre-owned equipment

- FAST SHIPPING AND DELIVERY
- TENS OF THOUSANDS OF IN-STOCK ITEMS
- EQUIPMENT DEMOS
- HUNDREDS OF MANUFACTURERS SUPPORTED
- LEASING/MONTHLY RENTALS
- ITAR CERTIFIED SECURE ASSET SOLUTIONS

SERVICE CENTER REPAIRS

Experienced engineers and technicians on staff at our full-service, in-house repair center

*InstraView*SM REMOTE INSPECTION

Remotely inspect equipment before purchasing with our interactive website at www.instraview.com ↗

WE BUY USED EQUIPMENT

Sell your excess, underutilized, and idle used equipment. We also offer credit for buy-backs and trade-ins. www.artisanng.com/WeBuyEquipment ↗

LOOKING FOR MORE INFORMATION?

Visit us on the web at www.artisanng.com ↗ for more information on price quotations, drivers, technical specifications, manuals, and documentation

Contact us: (888) 88-SOURCE | sales@artisanng.com | www.artisanng.com