



Artisan Technology Group is your source for quality new and certified-used/pre-owned equipment

- FAST SHIPPING AND DELIVERY
- TENS OF THOUSANDS OF IN-STOCK ITEMS
- EQUIPMENT DEMOS
- HUNDREDS OF MANUFACTURERS SUPPORTED
- LEASING/MONTHLY RENTALS
- ITAR CERTIFIED SECURE ASSET SOLUTIONS

SERVICE CENTER REPAIRS

Experienced engineers and technicians on staff at our full-service, in-house repair center

*InstraView*SM REMOTE INSPECTION

Remotely inspect equipment before purchasing with our interactive website at www.instraview.com ↗

WE BUY USED EQUIPMENT

Sell your excess, underutilized, and idle used equipment. We also offer credit for buy-backs and trade-ins. www.artisanng.com/WeBuyEquipment ↗

LOOKING FOR MORE INFORMATION?

Visit us on the web at www.artisanng.com ↗ for more information on price quotations, drivers, technical specifications, manuals, and documentation

Contact us: (888) 88-SOURCE | sales@artisanng.com | www.artisanng.com

MODEL i410 INSTRUNET INTERFACE CARD

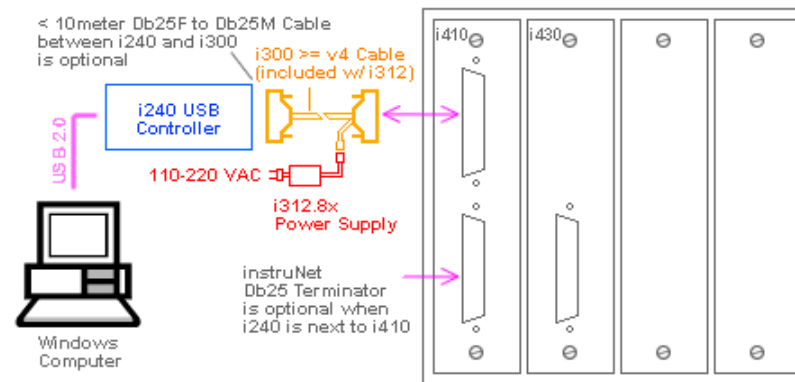
PRODUCT LIST > i410 >

The i410 card connects an i4xx [Card Cage](#) to a Windows computer via an instruNet [i240](#) USB, i200 PCI or i230 PCMCIA controller card. The i410 plugs into the left-most slot (slot #1) of an i4xx Card cage. One and only one i410 is required per i4xx card cage when working with i2x0 controllers. The i410 provides the following features:

- Two Db25 connectors allow [daisy-chaining](#) multiple i4xx Card Cage and i100 devices to one i2x0 controller card.
- Front panel red power light shows presence of 5V, 12V, and -12V power.
- Front panel green I/O light blinks when computer communicates with card cage.
- Includes one [Db25 Male to Female](#) 3 meter (10ft) Cable.
- See Also:
 - [i4xx Card Cage System](#)
 - [i2x0 instruNet DSP Card](#)
 - [instruNet Network](#)
 - [Typical instruNet Systems](#)
 - [Designing Your System](#)



Typical System with i410



Installation

- [How to install instruNet Hardware & Software](#)
- [How to Install i4xx Cards into i4xx Card Cage](#)



Artisan Technology Group is your source for quality new and certified-used/pre-owned equipment

- FAST SHIPPING AND DELIVERY
- TENS OF THOUSANDS OF IN-STOCK ITEMS
- EQUIPMENT DEMOS
- HUNDREDS OF MANUFACTURERS SUPPORTED
- LEASING/MONTHLY RENTALS
- ITAR CERTIFIED SECURE ASSET SOLUTIONS

SERVICE CENTER REPAIRS

Experienced engineers and technicians on staff at our full-service, in-house repair center

*InstraView*SM REMOTE INSPECTION

Remotely inspect equipment before purchasing with our interactive website at www.instraview.com ↗

WE BUY USED EQUIPMENT

Sell your excess, underutilized, and idle used equipment. We also offer credit for buy-backs and trade-ins. www.artisanng.com/WeBuyEquipment ↗

LOOKING FOR MORE INFORMATION?

Visit us on the web at www.artisanng.com ↗ for more information on price quotations, drivers, technical specifications, manuals, and documentation

Contact us: (888) 88-SOURCE | sales@artisanng.com | www.artisanng.com