



Artisan Technology Group is your source for quality new and certified-used/pre-owned equipment

- FAST SHIPPING AND DELIVERY
- TENS OF THOUSANDS OF IN-STOCK ITEMS
- EQUIPMENT DEMOS
- HUNDREDS OF MANUFACTURERS SUPPORTED
- LEASING/MONTHLY RENTALS
- ITAR CERTIFIED SECURE ASSET SOLUTIONS

SERVICE CENTER REPAIRS

Experienced engineers and technicians on staff at our full-service, in-house repair center

*InstraView*SM REMOTE INSPECTION

Remotely inspect equipment before purchasing with our interactive website at www.instraview.com ↗

WE BUY USED EQUIPMENT

Sell your excess, underutilized, and idle used equipment. We also offer credit for buy-backs and trade-ins. www.artisanng.com/WeBuyEquipment ↗

LOOKING FOR MORE INFORMATION?

Visit us on the web at www.artisanng.com ↗ for more information on price quotations, drivers, technical specifications, manuals, and documentation

Contact us: (888) 88-SOURCE | sales@artisanng.com | www.artisanng.com

DT2802 Series 24-Bit Chromatography Boards for the ISA Bus

The DT2802 Series are high resolution (to 24-bit), data acquisition boards for liquid (HPLC) and gas (GC) chromatography applications. One or two time-base independent integrators, each with two inputs, permit simultaneous sampling of up to four chromatographs.

24-Bit Resolution Separates Minute Traces

Patented circuitry on DT2802 Series boards provides 24-bit resolution to distinguish even trace compounds in your sample. The boards can electronically resolve 1 part in 16,777,216 (at 24 bits; equivalent to 60 ppb, or 0.13 $\mu\text{V-s}$) from GC, HPLC, or capillary electrophoresis detectors. Resolution is variable on each integrator, letting you sample at higher speeds where less resolution is needed—from 2 samples per second at 24 bits to 120 samples per second at 18 bits (1 part in 262,144).

Auto-Acquire Mode for Automatic Background Operation

You can program a DT2802 Series board to operate in the background, with no intervention from the host PC. This multitasking operation permits data acquisition to occur on the board while analysis occurs simultaneously on the PC. The board's microprocessor can automatically perform a sequence of operations—take samples every four seconds on channel 1, for example. Data values can be stored in onboard memory buffers (up to 2 k samples per integrator).

Autocalibration for Consistent Sampling

An autocalibration function built into DT2802 Series boards lets you restore the



DT2802 Series 24-Bit Chromatography Boards for the ISA Bus

Summary

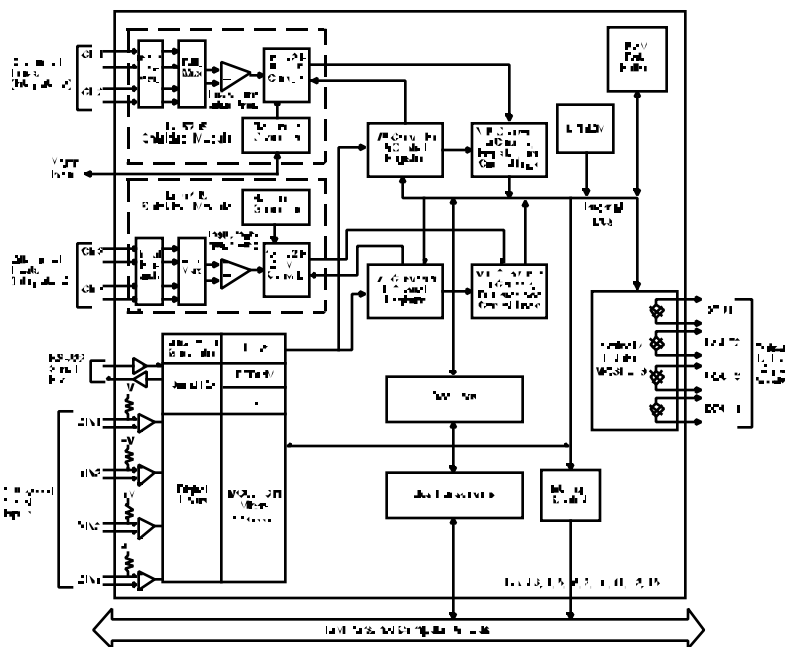
Integrators: 1 or 2 time-base independent integrators, each with two differential input channels and patented VCO circuitry; autocalibrating; 18 to 24-bit resolution; 2–120Hz throughput

Digital I/O: 4 differential in with pullups to sense contact closure, optionally debounced; 4 optically-isolated output switches

Memory: Memory stores up to 2K samples from each integrator

Interface: Programmed I/O; one interrupt, or RS-232 port

Miscellaneous: Full duplex RS-232 port



DT 2802-4 Block Diagram

board to factory-shipped accuracy at any time, automatically. This increases baseline stability, and minimizes noise and drift introduced by the integrator. Precision voltage references are built into the board—no external equipment is required for calibration.

Intelligent, Command-Driven Operation

A built-in microprocessor greatly simplifies DT2802 Series board operation. Rather than programming

individual bits in the board's registers, you pass codes for high-level commands such as "Start Integrator" or "Calibrate Integrator." Commands are available to permit OEMs to develop software that runs only on designated hardware configurations. Setup of board subsystems, timing, data manipulation, error checking, and data formatting are handled by the microprocessor automatically, with no external intervention.



Specifications

All specifications are typical at 25°C and rated voltage, unless otherwise specified.

ANALOG INPUTS

Number of Integrators	>100 M
<i>DT2802-2</i> —one (2 DI input channels)	Bias Current <±50 nA
<i>DT2802-4</i> —two (4 DI input channels)	Maximum Input Voltage Without Damage
Each integrator has an independently controlled time base	±40 V, steady state; ±100 V, transient (10% duty cycle; 5 minute maximum pulse width)
Input Range	Common Mode Input Range
–0.2 to +2.0 V (can accommodate –0.5 V to +5.0 V and –1.0 V to +10.0V ranges with DT777 a user-supplied attenuator network)	±5 V
Integrator Resolution	Common Mode Rejection Ratio
Programmable for 18 through 24 bits (up to 60 ppb); throughput varies inversely with resolution from 120 Hz at 18 bits to 2 Hz at 24 bits	>72 dB
Settling Time to 0.1% FSR (Full-Scale Step)	Normal Mode Rejection Ratio (Line Frequency ±0.1% of Nominal)
1 ms	>60 dB (19–24 bit operation only)
	Integral Nonlinearity
	0.05% FSR max
	Differential Nonlinearity
	1 LSB max
	Monotonicity
	Guaranteed

Dynamic Range	control; 4 optically isolated outputs
>140 dB (10 ⁷ : 1)	Compatible Inputs
Zero Drift	Contact Closure, TTL, CMOS
5 ppm of FSR/°C max (improves with autocalibration)	Overtoltage Protection
Full Scale Drift	±50 V, input and output lines
20 ppm of FSR/°C max (improves with autocalibration)	Input Common Mode Range
Gain Error	±5 V
0.03% FSR max	Output Switch
Noise	±24 Vdc @ 10 mA; Ron = 200 max; Roff = 10 M min; each line has separately isolated common
140 nV rms TYP @ 24 bits, 0 Vin	ONBOARD CONTROLLER
1.0 µV rms TYP @ 20 bits, 0 Vin (2 µV + 1 µV//Vin) rms MAX @ 20 bits	Function
Channel-to-Channel Crosstalk	Controls all operations; serves as interface and command interpreter; handles host I/O; serial I/O; autocalibration and control of integrators; and digital I/O; permits background mode and remote operation of DT2802
Less than –120 dB	
DIGITAL I/O	
Number of Lines	
4 differential inputs; internal pullups; active on rising edge, falling edge, or either (programmable); debouncing selectable under program	

Microprocessor	or 15 on J2 connector; source: Data Available, Digital Input Active, Serial I/O, Error
MC68HC11	Power Requirements
RS-232 PORT	+5V @ 1.25 A max; +12V @ 75 mA max; –12V @ 75 mA max
Function	Physical/Environmental
Permits remote operation by providing complete board interface; also permits direct communication with any RS-232 device	<i>Dimensions</i> —full-size PC board mechanically EISA compatible for any available system slot
Configuration	<i>Connectors</i> —analog and digital I/O signals: 37-pin industry-standard D-shell; RS-232: RJ11, 6-pin
Full duplex; one start bit, one stop bit, eight data bits, no parity; 300, 1200, 2400, 4800, 9600, 19.2 K, or 38.4 K baud rate, software-selectable	<i>Temperature</i> —operating: 0 to 50° C; storage: –25 to 70° C
GENERAL	<i>Relative Humidity</i> —to 95%, non-condensing
Interface	<i>Altitude</i> —to 7000' (2134 m)
ISA Bus or EISA Bus; I/O mapped; 8-bit data; or RS-232 port remote control	
<i>Interrupt</i> —one line, jumper-selected level (3, 4, 5, 6, or 7 on J1 connector; 10, 11, 12,	

RS-232 Interface Permits Remote Operation

An RS-232 port lets you control the DT2802 directly from any remote host—IBM®, Sun Workstation®, or mainframe computer, for example. All functionality is directly accessible via the RS-232 interface. Alternatively, the interface can be used to control an external device.

Versatile Digital I/O

Digital input lines have pullups, to sense switch closure without external power. Digital output lines are optically isolated to directly control 24 V lines.

Resolution vs Input Range

INPUT RANGE	RESOLUTION		
	Bits	Parts per Billion	µV
Autoranging, ±10V	16	15,259	305
Autoranging, ±0.1V	16	15,259	3.05
–0.2 to +2.0V	18	3,815	8.39
–0.2 to +2.0V	24	59.6	0.13

Free Software, Broad Application Support

Each DT2802 Series board ships with free subroutine library and driver software callable from programs written in Microsoft® C. In addition, the board is fully supported by leading chromatography software applications.

Ordering Summary

All Data Translation products are covered by a 1-year warranty. For pricing information, see a current price list, visit our web site, or contact your local reseller.

DT2802 Series

Each DT2802 Series board is shipped with the DT2802 Device Driver and Subroutine Library software, example programs in C, and diagnostics on 3.5 in. 1.4 MB disk. A comprehensive User's Manual is also included.

- DT2802-2—One integrator, 2DI inputs
- DT2802-4—Two integrators, 4DI inputs

Call for information on an OEM version of the DT2802 Series, with special pricing.

Accessories

- DT777—Screw terminal panel; needs EP777
- EP246—Electrically shielded enclosure for DT777
- EP256—5 V attenuator kit for DT777
- EP777—2.4 m (8 ft.) shielded twisted pair cable assembly



Artisan Technology Group is your source for quality new and certified-used/pre-owned equipment

- FAST SHIPPING AND DELIVERY
- TENS OF THOUSANDS OF IN-STOCK ITEMS
- EQUIPMENT DEMOS
- HUNDREDS OF MANUFACTURERS SUPPORTED
- LEASING/MONTHLY RENTALS
- ITAR CERTIFIED SECURE ASSET SOLUTIONS

SERVICE CENTER REPAIRS

Experienced engineers and technicians on staff at our full-service, in-house repair center

*InstraView*SM REMOTE INSPECTION

Remotely inspect equipment before purchasing with our interactive website at www.instraview.com ↗

WE BUY USED EQUIPMENT

Sell your excess, underutilized, and idle used equipment. We also offer credit for buy-backs and trade-ins. www.artisanng.com/WeBuyEquipment ↗

LOOKING FOR MORE INFORMATION?

Visit us on the web at www.artisanng.com ↗ for more information on price quotations, drivers, technical specifications, manuals, and documentation

Contact us: (888) 88-SOURCE | sales@artisanng.com | www.artisanng.com