



## Artisan Technology Group is your source for quality new and certified-used/pre-owned equipment

- FAST SHIPPING AND DELIVERY
- TENS OF THOUSANDS OF IN-STOCK ITEMS
- EQUIPMENT DEMOS
- HUNDREDS OF MANUFACTURERS SUPPORTED
- LEASING/MONTHLY RENTALS
- ITAR CERTIFIED SECURE ASSET SOLUTIONS

### SERVICE CENTER REPAIRS

Experienced engineers and technicians on staff at our full-service, in-house repair center

### *InstraView*<sup>SM</sup> REMOTE INSPECTION

Remotely inspect equipment before purchasing with our interactive website at [www.instraview.com](http://www.instraview.com) ↗

### WE BUY USED EQUIPMENT

Sell your excess, underutilized, and idle used equipment. We also offer credit for buy-backs and trade-ins. [www.artisanng.com/WeBuyEquipment](http://www.artisanng.com/WeBuyEquipment) ↗

### LOOKING FOR MORE INFORMATION?

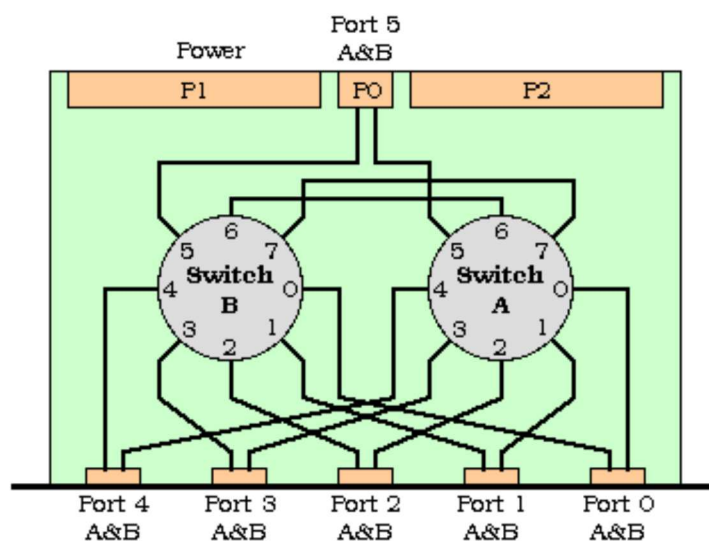
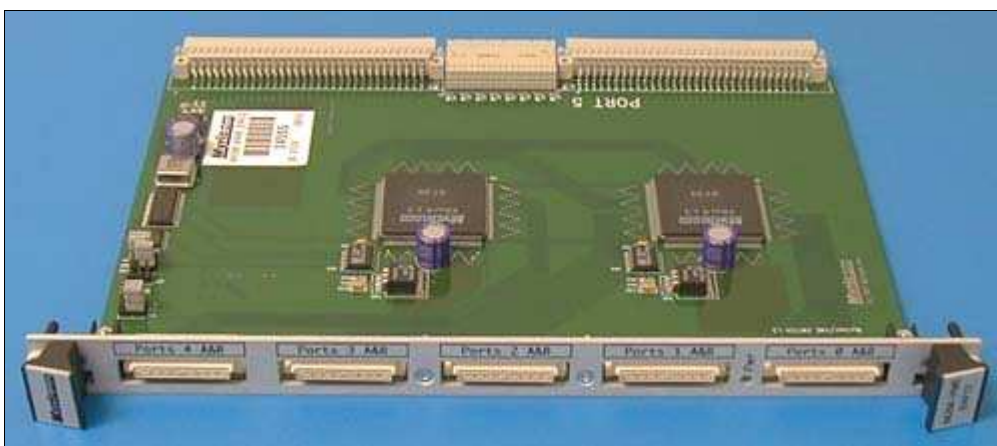
Visit us on the web at [www.artisanng.com](http://www.artisanng.com) ↗ for more information on price quotations, drivers, technical specifications, manuals, and documentation

**Contact us:** (888) 88-SOURCE | [sales@artisanng.com](mailto:sales@artisanng.com) | [www.artisanng.com](http://www.artisanng.com)

## M2M-VME-SW12

### *Dual-8-Port VME-form-factor Myrinet-SAN Switch*

This 6U-VME-form-factor Myrinet-SAN switch was designed for clustering VME single-board computers with PCI-Mezzanine Card Myrinet-SAN/PCI interfaces ( [M2M-PMC32](#) or [M2M-PMC64A](#)) and [Myrinet-SAN cables](#) on the front-panel side of a VME subrack. The switch is powered from the VME-bus +5V pins, provides ten Myrinet-SAN ports on five Myrinet-SAN connectors through the VME front panel, and provides an additional two Myrinet-SAN ports through the VME P0 connector.



### Specifications

**Internal switches:** Two 8-input, 8-output, full-crossbar, Myrinet-SAN switches with each channel operating at 1.28 Gb/s for a total bisection data rate of 10.24 Gb/s for each switch.

**Myrinet-SAN ports (12):** 1.28+1.28 Gb/s data rate on each of the A and B links of five Myrinet-SAN connectors and of the A & B links through the VME P0 connector. The pairs of links on the front-panel SAN connectors may be split onto separate cables using the [M2M-Y splitter](#).

**Cut-through latency:** ~100ns for each 8-port switch traversed.

**Physical characteristics:** 6U VME board.

**Power:** 6 Watts typical from the VME 5V pins.

**Notes on the P0 ports:** The ports on the P0 connector need not be used in systems employing Myrinet-SAN interconnect only on the VME front panel. In fact, the P0 connector on the M2M-VME-SW12 may interfere with stiffener bars in some VME backplanes. **Please order this product under the M2M-VME-SW10 part number if the P0 connector should not be installed.** Myricom will install the P0 connector at a later time upon request.

The pinout employed to carry two Myrinet-SAN links through P0 conforms to the ANSI [Myrinet-on-VME](#) standard. This scheme allows VME boards such as those supplied by [CSPI](#) to communicate through a Myrinet-SAN switching fabric either on the VME front panel or on the backplane side of a VME subrack.

When used with VME backplanes equipped with J0-RJ0 connectors, the two Myrinet-SAN links on P0 connect through the P0-J0-RJ0 connector stackup to the backplane. One may then insert an RP0-SAN adapter into RJ0 to allow the two links to be carried on a standard [Myrinet-SAN cable](#). These links -- as usual, referred to as the A & B links -- can attach through the SAN cable to:

- the P0 ports of another VME board,
- external Myrinet-SAN switches,
- bulkhead Myrinet-SAN switches, or
- bulkhead SAN-LAN converters.

The P0 ports also allow backplane-overlay Myrinet switches, which may, in turn, be connected to each other or as above with Myrinet-SAN cables.

The M2M-VME-SW12 is supplied under a different part number by [CSPI](#), which is also a source for bulkhead SAN-LAN converters and for backplane-overlay Myrinet-SAN switches.



*Last updated: 1 June 1998 (photo), 8 July 1999; 6 January 2000*



## Artisan Technology Group is your source for quality new and certified-used/pre-owned equipment

- FAST SHIPPING AND DELIVERY
- TENS OF THOUSANDS OF IN-STOCK ITEMS
- EQUIPMENT DEMOS
- HUNDREDS OF MANUFACTURERS SUPPORTED
- LEASING/MONTHLY RENTALS
- ITAR CERTIFIED SECURE ASSET SOLUTIONS

### SERVICE CENTER REPAIRS

Experienced engineers and technicians on staff at our full-service, in-house repair center

### *InstraView*<sup>SM</sup> REMOTE INSPECTION

Remotely inspect equipment before purchasing with our interactive website at [www.instraview.com](http://www.instraview.com) ↗

### WE BUY USED EQUIPMENT

Sell your excess, underutilized, and idle used equipment. We also offer credit for buy-backs and trade-ins. [www.artisanng.com/WeBuyEquipment](http://www.artisanng.com/WeBuyEquipment) ↗

### LOOKING FOR MORE INFORMATION?

Visit us on the web at [www.artisanng.com](http://www.artisanng.com) ↗ for more information on price quotations, drivers, technical specifications, manuals, and documentation

**Contact us:** (888) 88-SOURCE | [sales@artisanng.com](mailto:sales@artisanng.com) | [www.artisanng.com](http://www.artisanng.com)