



Artisan Technology Group is your source for quality new and certified-used/pre-owned equipment

- FAST SHIPPING AND DELIVERY
- TENS OF THOUSANDS OF IN-STOCK ITEMS
- EQUIPMENT DEMOS
- HUNDREDS OF MANUFACTURERS SUPPORTED
- LEASING/MONTHLY RENTALS
- ITAR CERTIFIED SECURE ASSET SOLUTIONS

SERVICE CENTER REPAIRS

Experienced engineers and technicians on staff at our full-service, in-house repair center

*InstraView*SM REMOTE INSPECTION

Remotely inspect equipment before purchasing with our interactive website at www.instraview.com ↗

WE BUY USED EQUIPMENT

Sell your excess, underutilized, and idle used equipment. We also offer credit for buy-backs and trade-ins. www.artisanng.com/WeBuyEquipment ↗

LOOKING FOR MORE INFORMATION?

Visit us on the web at www.artisanng.com ↗ for more information on price quotations, drivers, technical specifications, manuals, and documentation

Contact us: (888) 88-SOURCE | sales@artisanng.com | www.artisanng.com

Panasonic®

digital

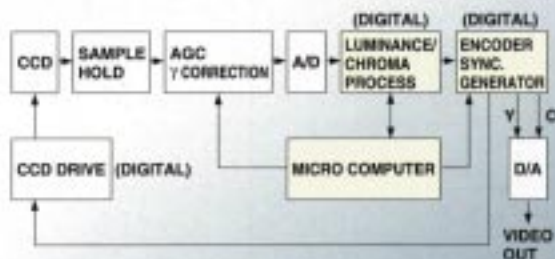
Industrial

GP-KR222

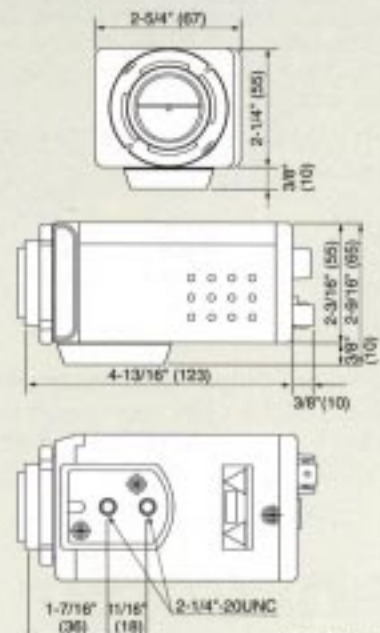
Digital Signal Processing
Industrial Color CCD Camera



DIGITAL SIGNAL PROCESSING DIAGRAM



Dimensional Drawings



Digital RGB Signal Processing Delivers High-Quality Picture to meet the Industrial Demand

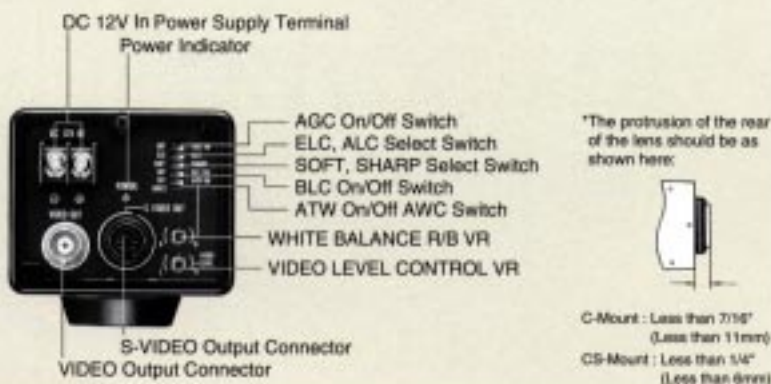
Panasonic presents advanced digital camera technology to meet the demand of new and ever-changing industrial or medical applications. GP-KR222 1/2" digital signal processing camera features the second generation DSP chip which has been approved worldwide in the professional video field. The GP-KR222 provides excellent color reproduction to be suitable for microscope or other medical/industrial applications. Video signals are internally processed and digitized R/G/B signal is separate so that color reproduction is well-balanced which is critical in microscopic application. The GP-KR222 incorporates a 1/2" interline transfer CCD (380,000 pixels: effective) with a microlens on each pixel which achieves high sensitivity of 3 lux at F1.4, outstanding 480-line horizontal resolution, and signal-to-noise ratio of 50dB. Panasonic GP-KR222 gives you the edge of high technology digital camera.

Key Features

- 1/2" interline transfer CCD with 768 (H)×494 (V) pixels
- 480-line horizontal resolution
- Minimum scene illumination of 3 lux (0.3 footcandle) at F1.4
- Signal-to-noise ratio of 50dB
- Digital signal processing circuit enables excellent picture quality and advanced functions
- A variety of advanced light control function—Electronic Light Control (ELC) and Backlight Compensation (BLC)

- C- or CS-mount selectable
- Adjustable R/B level even when AWC and AWC are activated
- Y/C (S-Video) output
- Selectable aperture level
- Auto Gain Control
- 12V DC operation

Major Operating Controls



Excellent color reproduction with internal digital RGB signal processing

Panasonic brings its camera technology into the next stage of its evolution. Under severe conditions such as microscopic application, it takes much time to adjust the camera to get a good picture. To overcome this problem, the GP-KR222 features highly advanced digital RGB signal processing which provides well-balanced color reproduction. In addition to above, digital 2H enhancer, knee circuit and chroma averaging circuit are featured in its compact sized enclosure.

Adjustable R/B level control for accurate color reproduction

For better color reproduction under severe lighting condition, the GP-KR222 features a fine adjustment using the Red/Blue level control even when Auto Tracing White Balance Control is activated.

Selectable Soft (Off)/Sharp (On) aperture level

Artificial aperture (On Mode) is good for the human eye to monitor. For the machine vision application (accuracy of measurement), the Off Mode is used.

Backlight Compensation

Auto backlight compensation equipped with a backlight compensation mode as part of the light control function. More photometric weight is given to the center of the screen than to the edges, where backlighting would most likely be located.

[Conventional Camera]

[With BLC function]

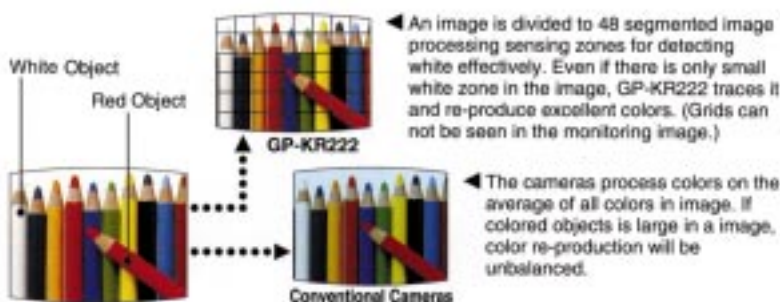


Y/C (S-Video) output for a better picture

Y/C output provides cross-color-free, crisp picture. By connecting VTR to this connector, a recorded picture will be greatly improved.

Advanced Auto Tracing White Balance (ATW)

With this function, color re-production can be improved remarkably. Thanks to DSP, the GP-KR222 can detect and trace "white" in any condition, and reproduce the excellent color with digitized arithmetic processing.



Specifications

| Model No. | GP-KR222 |
|-------------------------------|--|
| Camera System | NTSC |
| Pick-up Device | 768 (H) x 494 (V) pixels, Interline Transfer CCD |
| Scanning Area | 6.4 (H) x 4.8 (V) mm (Equivalent to 1/2" Tube) |
| Scanning | 525 Lines/60 Fields/30 Frames Horizontal 15.734kHz, Vertical 59.94Hz |
| Scanning System | 2:1 Interlace |
| Synchronization | Internal |
| Video Output | 1.0V [p-p] NTSC composite/75 Ω (thru. specified circuit) |
| Horizontal Resolution | 480 TV lines |
| S/N Ratio | 50dB (min.) (Luminance S/N) (at AGC OFF, weight ON) |
| Mini. Illumination | 3 lx F1.4, or 2 lx F1.2 |
| AGC | Selectable On and OFF (approx. 14dB) |
| White Balance | Selectable ATW and AWC (with White Balance R/B VR) |
| Aperture | Selectable SOFT (OFF)/SHARP (ON) |
| Electronic Light Control | Equivalent to continuous variable shutter speed between 1/60s and 1/15700s (with Video level VR) |
| Lens Mount | Selectable C-mount and CS-mount |
| ALC Lens | DC |
| BLC | Selectable normal and Back light control |
| Y/C Out | Y out (1.0V [p-p]/75 Ω) C out (0.286V [p-p]/75 Ω Burst level) |
| Power Source | DC 10.8-16V |
| Dimensions (W x H x D) | 67 x 55 x 123 mm (2-5/8" x 2-1/8" x 4-13/16") |
| Weight | 460g (1 lbs) |
| Operating Ambient Temperature | -10°-50°C (+14°F-+122°F) |

Weights and dimensions shown are approximate. Specifications are subject to change without notice. These products may be subject to expert control regulations.

Panasonic

Medical & Industrial Video Company

A Division of Panasonic Broadcast & Television Systems Company
A Unit of Matsushita Electric Corporation of America

Executive Office : One Panasonic Way 4H2, Secaucus, New Jersey 07094

Regional Office

Northeast : 43 Hertz Way, Secaucus, NJ 07094 (201) 348-7303
Southeast : 1225 Northbrook Parkway, Suite 1-160, Suwanee, GA 30174 (770) 338-8838
Midwest : 1707 North Randall Road, Elgin, IL 60123 (847) 468-5200
Southwest : 8105 Beltline Road, Suite 100, Irving, TX 75063 (214) 915-1333
Western : 6550 Katella Ave., Cypress, CA 90630 (714) 373-7265

DISTRIBUTED BY:

VSD 3010(12124.1) (20K)

PANASONIC CANADA INC.
5770 Amber Drive, Mississauga, Ontario, L4W 2T3 Canada (905) 624-5010
PANASONIC SALES COMPANY
DIVISION OF MATSUSHITA ELECTRIC OF PUERTO RICO, INC.
San Gabriel Industrial Park 65th Infantry Ave. KM. 9.5 Carolina, P.R. 00630 (809) 750-4300

Printed in Japan
[P-377A]



Artisan Technology Group is your source for quality new and certified-used/pre-owned equipment

- FAST SHIPPING AND DELIVERY
- TENS OF THOUSANDS OF IN-STOCK ITEMS
- EQUIPMENT DEMOS
- HUNDREDS OF MANUFACTURERS SUPPORTED
- LEASING/MONTHLY RENTALS
- ITAR CERTIFIED SECURE ASSET SOLUTIONS

SERVICE CENTER REPAIRS

Experienced engineers and technicians on staff at our full-service, in-house repair center

*InstraView*SM REMOTE INSPECTION

Remotely inspect equipment before purchasing with our interactive website at www.instraview.com ↗

WE BUY USED EQUIPMENT

Sell your excess, underutilized, and idle used equipment. We also offer credit for buy-backs and trade-ins. www.artisanng.com/WeBuyEquipment ↗

LOOKING FOR MORE INFORMATION?

Visit us on the web at www.artisanng.com ↗ for more information on price quotations, drivers, technical specifications, manuals, and documentation

Contact us: (888) 88-SOURCE | sales@artisanng.com | www.artisanng.com