



Artisan Technology Group is your source for quality new and certified-used/pre-owned equipment

- FAST SHIPPING AND DELIVERY
- TENS OF THOUSANDS OF IN-STOCK ITEMS
- EQUIPMENT DEMOS
- HUNDREDS OF MANUFACTURERS SUPPORTED
- LEASING/MONTHLY RENTALS
- ITAR CERTIFIED SECURE ASSET SOLUTIONS

SERVICE CENTER REPAIRS

Experienced engineers and technicians on staff at our full-service, in-house repair center

*InstraView*SM REMOTE INSPECTION

Remotely inspect equipment before purchasing with our interactive website at www.instraview.com ↗

WE BUY USED EQUIPMENT

Sell your excess, underutilized, and idle used equipment. We also offer credit for buy-backs and trade-ins. www.artisanng.com/WeBuyEquipment ↗

LOOKING FOR MORE INFORMATION?

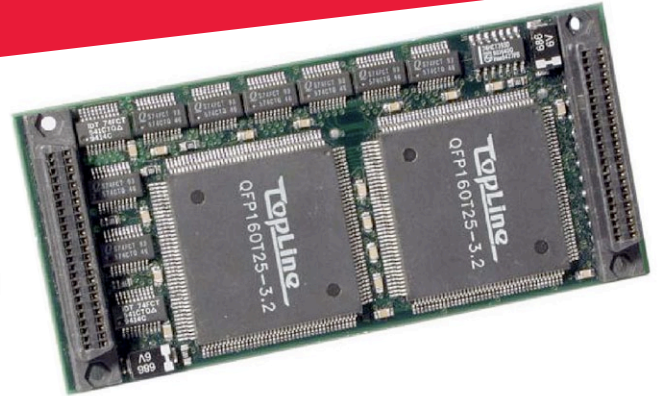
Visit us on the web at www.artisanng.com ↗ for more information on price quotations, drivers, technical specifications, manuals, and documentation

Contact us: (888) 88-SOURCE | sales@artisanng.com | www.artisanng.com



DUAL32CT

Dual, 32-Bit Counter/Timer IndustryPack® Module



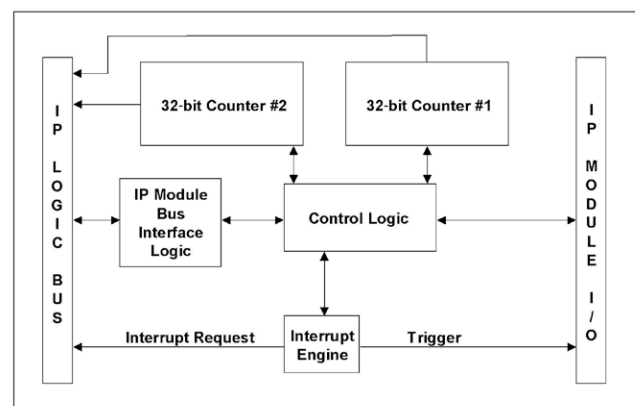
Application Features

- ◆ Terminal count detect (up count) is programmable via the terminal count registers
- ◆ True “read-on-the-fly” counter/timer, which allows reading the current count of a data register at any point in time this eliminates the need to stop the system to obtain a crucial reading of a system event.
- ◆ Timer enable, clock enable, and reset are controlled with software or I/O signals for multi-timer applications
- ◆ Timers have independent registers which increase efficiency when writing software code, thus reducing software integration costs and set-up time
- ◆ Rollover or Stop on Terminal Count
- ◆ Interrupt on Terminal Count
- ◆ Trigger Outputs available on Terminal Count (High and Low Pulses, and State Toggle)

The DUAL32CT was designed to meet the requirements of multi-timer applications with its unique input and output signals. Each 32-bit counter/timer is completely independent—with its own register set and interrupt vector.

Typical applications include system clock (square-wave) generation, watchdog and dead-man timers, variable period and variable duty cycle pulse generation, retriggerable and nonretriggerable (one shot) astable multi-vibrators, event totalizers with and without gated periodic windows, up to 66-bit counter, and frequency counters.

The DUAL32CT’s modular design provides multiple counter/timers through a single VME or PC slot using an IP carrier. The DUAL32CT can also be mixed with other IP Modules for a more customized, modular I/O system solution.



Learn More

Sales Info: cwcdefense.com/sales

Sales Email: defensesales@curtisswright.com

ABOVE & BEYOND

**CURTISS
WRIGHT** Controls
Defense Solutions

cwcdefense.com



DUAL32CT

Table 1: Specifications

General Specifications		
Physical Dimensions	1.800" x 3.900" x 0.303" (45.72 mm x 99.06 mm x 7.70 mm)	
Weight	1.267 oz. (35.93 grams)	
Hardware Compatibility	American National Standard for IP Modules (ANSI/VITA 4-1995)	
Mechanical/Electrical Interface	Single-wide IP Module	
IP Transfer Types	I/O, ID & Interrupt (memory not supported)	
Electrical Requirements	+5Vdc @ 360mA (typ., no load)	
Environmental Specifications		
Temperature Range	Operating	0° to +70° C (32° to +158° F)
	Storage	-40° to +85° C (-40° to +185° F)
Humidity (non-condensing)	5% to 95%	
Vibration	10G's RMS, 10-55Hz random	
Shock	50G's max.	
Altitude	10,000 ft	
Mean Time Between Failure (MTBF)	4,025,765 hrs. per MIL-HDBK-217F	
I/O "Signal Connections" (per counter/timer)	Busy, External Clock Input, Clock Enable, Timer Enable, (True and Inverted) Terminal Count Trigger Pulses and Toggle Outputs	
I/O Address Map (per counter/timer)	32-bit, "Read-on-the-Fly" Counter Data; Timer and Clock Enable Control; Clock Source Select; 32-bit Terminal Count Compare Data; Interrupt Status and Control; and Vector	
Terminal Count Trigger Pulses	Negative and Positive widths of 250ns	
All I/O Connections (FCT Interface Compatible)	Inputs	±1µA (max.)
	Outputs	- Source: -1.5mA @ 2.4V (min.) - Sink: 64mA @ .55 (min.)
Gateable Internal Clocks	8MHz, 1MHz, and 125KHz	
External Input Clocks:	up to 25MHz with terminal count (or up to 50MHz totalizer)	
Full 32-Bit Count Value "Snap-Shot"	Captured on Read of MSW	
Software Selectable Clock Sources Include	External (via I/O connector), 8MHz IP Clock, Prescaler Divide by 8 for 1MHz, and a Prescaler Divide by 64 for 125KHz	
Initial Contact Resistance (6Vdc @ 1 amp)	50mΩ (max.), 35mΩ (typ.)	
Higher Clock Speeds	25MHz timer, 50MHz Totalizer Contact Curtiss-Wright with custom requirements	

Table 2: DUAL32CT PIN Assignment

50	GND	25	TIMER_EN2
49	Not Used	24	GND
48	Not Used	23	CLOCK_EN2
47	Not Used	22	GND
46	Not Used	21	EXT_CLOCK2
45	Not Used	20	GND
44	Not Used	19	GND
43	Not Used	18	GND
42	Not Used	17	GND
41	Not Used	16	GND
40	Not Used	15	N_TRIGTOGGLE2
39	Not Used	14	GND
38	Not Used	13	TRIGTOGGLE1
37	Not Used	12	GND
36	GND	11	N_TRIGPULSE1
35	N_TRIGTOGGLE2	10	GND
34	GND	09	TRIGPULSE1
33	TRIGTOGGLE2	08	GND
32	GND	07	BUSY1
31	N_TRIGPULS2	06	GND
30	GND	05	TIMER_EN1
29	TRIGPULSE2	04	GND
28	GND	03	CLOCK_EN1
27	BUSY2	02	GND
26	GND	01	EXT_CLOCK1

Ordering Information

BHAS-DUAL32CT: Dual 32-bit Counter/Timer IP Module Board



Artisan Technology Group is your source for quality new and certified-used/pre-owned equipment

- FAST SHIPPING AND DELIVERY
- TENS OF THOUSANDS OF IN-STOCK ITEMS
- EQUIPMENT DEMOS
- HUNDREDS OF MANUFACTURERS SUPPORTED
- LEASING/MONTHLY RENTALS
- ITAR CERTIFIED SECURE ASSET SOLUTIONS

SERVICE CENTER REPAIRS

Experienced engineers and technicians on staff at our full-service, in-house repair center

*InstraView*SM REMOTE INSPECTION

Remotely inspect equipment before purchasing with our interactive website at www.instraview.com ↗

WE BUY USED EQUIPMENT

Sell your excess, underutilized, and idle used equipment. We also offer credit for buy-backs and trade-ins. www.artisanng.com/WeBuyEquipment ↗

LOOKING FOR MORE INFORMATION?

Visit us on the web at www.artisanng.com ↗ for more information on price quotations, drivers, technical specifications, manuals, and documentation

Contact us: (888) 88-SOURCE | sales@artisanng.com | www.artisanng.com