



## Artisan Technology Group is your source for quality new and certified-used/pre-owned equipment

- FAST SHIPPING AND DELIVERY
- TENS OF THOUSANDS OF IN-STOCK ITEMS
- EQUIPMENT DEMOS
- HUNDREDS OF MANUFACTURERS SUPPORTED
- LEASING/MONTHLY RENTALS
- ITAR CERTIFIED SECURE ASSET SOLUTIONS

### SERVICE CENTER REPAIRS

Experienced engineers and technicians on staff at our full-service, in-house repair center

### *InstraView*<sup>SM</sup> REMOTE INSPECTION

Remotely inspect equipment before purchasing with our interactive website at [www.instraview.com](http://www.instraview.com) ↗

### WE BUY USED EQUIPMENT

Sell your excess, underutilized, and idle used equipment. We also offer credit for buy-backs and trade-ins. [www.artisanng.com/WeBuyEquipment](http://www.artisanng.com/WeBuyEquipment) ↗

### LOOKING FOR MORE INFORMATION?

Visit us on the web at [www.artisanng.com](http://www.artisanng.com) ↗ for more information on price quotations, drivers, technical specifications, manuals, and documentation

**Contact us:** (888) 88-SOURCE | [sales@artisanng.com](mailto:sales@artisanng.com) | [www.artisanng.com](http://www.artisanng.com)

# No-Slip Posts and Post Holders



- VPH post holders have brake-shoe clamp for no-slip operation
- Standard and miniature sizes
- Fixed and translating post holders
- Double-ended set screws in all posts
- Open-ring post collars can be added or removed at any time

**SP Series Posts** are precision ground 0.5 in. (12.7 mm) diameter stainless steel with a 8-32 (M4) tapped hole in one end and a 1/4-20 tapped hole in the other end.

**MSP Series Miniature Posts** are precision ground 0.313 in. (7.9 mm) diameter stainless steel with a 8-32 (M4) tapped hole in both ends. Standard and miniature metric posts have a grooved top to help distinguish them from their English counterparts.

**VPH Series Post Holders** feature a spring-loaded, always-on brake shoe design which applies a constant force to the post, even when the thumbscrew is completely disengaged, ensuring the post will not slip and allowing the orientation of an optical mount with one hand.

**MPH Series Miniature Post Holders** utilize a spring-loaded thumbscrew for the same purpose. All of our post holders have a double bore to provide full two-line contact along the post. Once the thumbscrew is tightened, the post and post holder become nearly one piece, providing very high stability.

**VPT Series Post Holders** provide precise vertical adjustment for post-mounted components. Posts can be coarsely set, precisely adjusted for height, and then locked for high stability.

**Post collars** provide an index point for a specific post height, allowing a post to be removed from a post holder and returned to the same height. Newport's open-ring collar allows it to be added without having to remove the post from the post holder.

**PS-A and -AZ Series Pedestal Adapters** simply screw into the bottom of any standard post holder to convert it to a Pedestal-Base Post Holder; the PS-AZ has a magnetic base. Using a **PS-F Slotted Clamping Fork** offers the flexibility of securing components anywhere on an optical table.



VPH Series Post Holders and a C-0.5 Post Collar



MPH Series Miniature Post Holders and C-0.3 Post Collar



VPT Series Translating Post Holders with PS-A Pedestal Adaptors



Models 9601 thru 9603 post holders have a quick-release cam mechanism (see [www.newport.com](http://www.newport.com))

## Ordering Information

### Posts

Model (Metric)	Diameter [in. (mm)]	Height [in. (mm)]
<b>Standard Posts</b>		
SP-.75 (M-SP-.75)	0.5 (12.7)	0.75 (19)
SP-1 (M-SP-1)	0.5 (12.7)	1.0 (25.4)
SP-1.5 (M-SP-1.5)	0.5 (12.7)	1.5 (38.1)
SP-2 (M-SP-2)	0.5 (12.7)	2.0 (50.8)
SP-3 (M-SP-3)	0.5 (12.7)	3.0 (76.2)
SP-4 (M-SP-4)	0.5 (12.7)	4.0 (101.6)
SP-6 (M-SP-6)	0.5 (12.7)	6.0 (152.4)
SP-8 (M-SP-8)	0.5 (12.7)	8.0 (203.2)
SP-12 (M-SP-12)	0.5 (12.7)	12.0 (304.8)
<b>Miniature Posts</b>		
MSP-1 (M-MSP-1)	0.31 (7.9)	1.0 (25.4)
MSP-1.5 (M-MSP-1.5)	0.31 (7.9)	1.5 (38.1)
MSP-2 (M-MSP-2)	0.31 (7.9)	2.0 (50.8)
MSP-3 (M-MSP-3)	0.31 (7.9)	3.0 (76.2)

SP Series Posts have an 8-32 (M4) threaded hole in one end and a 1/4-20 (M6) threaded hole in the other end. MSP Series Posts have an 8-32 (M4) threaded hole in both ends.

### Post Holders

Model (Metric)	Post Diameter [in. (mm)]	Height [ (mm)]
<b>Standard Post Holders</b>		
VPH-1 (M-VPH-1)	0.5 (12.7)	1.0 (25.4)
VPH-1.5 (M-VPH-1.5)	0.5 (12.7)	1.5 (38.1)
VPH-2 (M-VPH-2)	0.5 (12.7)	2.0 (50.8)
VPH-3 (M-VPH-3)	0.5 (12.7)	3.0 (76.2)
VPH-4 (M-VPH-4)	0.5 (12.7)	4.0 (101.6)
VPH-6 (M-VPH-6)	0.5 (12.7)	6.0 (152.4)
<b>Standard Translating Post Holders</b>		
VPT-2 (M-VPT-2)	0.5 (12.7)	2–2.28 (50.8–57.9)
VPT-3 (M-VPT-3)	0.5 (12.7)	3–3.64 (76.2–92.5)
VPT-4 (M-VPT-4)	0.5 (12.7)	4–4.64 (101.6–117.9)
<b>Miniature Post Holders</b>		
MPH-0.5C (M-MPH-0.5C)*	0.313 (7.9)	0.73 (18.6)
MPH-1 (M-MPH-1)	0.313 (7.9)	1 (25.4)
MPH-2 (M-MPH-2)	0.313 (7.9)	2 (50.8)
MPH-3 (M-MPH-3)	0.313 (7.9)	3 (76.2)
<b>Standard and Magnetic Pedestal Post Adapters</b>		
PS-A (M-PS-A)	1.25 (31.8)	0.44 (11.2)
PS-AZ (M-PS-AZ)	1.25 (31.8)	0.44 (11.2)
<b>Post Collars</b>		
C-0.5	0.5 (12.7)	Standard Collar
C-0.3	0.313 (7.9)	Miniature Collar

\*Cross-bored to allow vertical or horizontal post mounting



MSP Series Miniature Posts (metric versions, shown, identifiable by groove)



SP Series Posts (metric versions, shown, identifiable by groove)



The MPH-0.5C (M-MPH-0.5C) is cross-bored to allow horizontal post mounting.

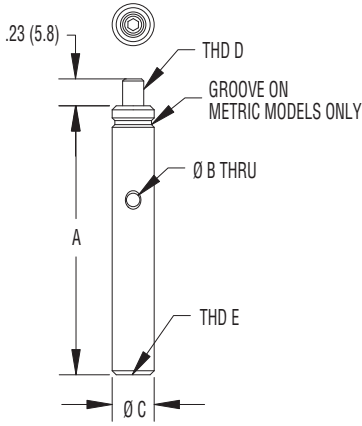


Post Collars can be added or removed at any time.

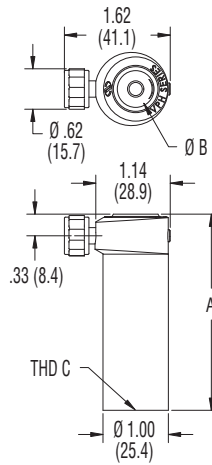
MIRROR MOUNTS  
LENS MOUNTS  
SPECIALTY OPTICAL MOUNTS  
RAIL SYSTEMS  
MECHANICAL OPTICS  
ACCESSORIES  
BASES, BRACKETS AND CLAMPS  
OPTICAL POSTS AND RODS  
COMPONENT SETS  
FILTER MOUNTS

MIRROR MOUNTS  
LENS MOUNTS  
SPECIALTY OPTICAL MOUNTS  
RAIL SYSTEMS  
MECHANICAL OPTICS  
ACCESSORIES  
BASES, BRACKETS AND CLAMPS  
OPTICAL POSTS AND RODS  
COMPONENT SETS  
FILTER MOUNTS

**SP and MSP Series**

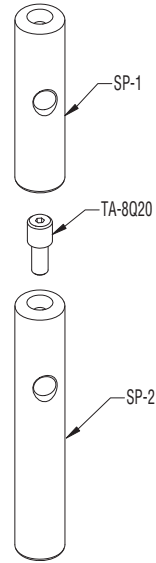


**VPH Series**



Model (Metric)	Dimensions [in. (mm)]		Diameter [in. (mm)]		Thread	
	A	B	C	D	E	
SP-.75 (M-SP-.75)	0.75 (19.05)	None	0.50 (12.7)	8-32 (M4)	1/4-20 (M6)	
SP-1 (M-SP-1)	1.00 (25.4)	None	0.50 (12.7)	8-32 (M4)	1/4-20 (M6)	
SP-1.5 (M-SP-1.5)	1.50 (38.1)	0.23 (5.8)	0.50 (12.7)	8-32 (M4)	1/4-20 (M6)	
SP-2 (M-SP-2)	2.00 (50.8)	0.23 (5.8)	0.50 (12.7)	8-32 (M4)	1/4-20 (M6)	
SP-3 (M-SP-3)	3.00 (76.2)	0.23 (5.8)	0.50 (12.7)	8-32 (M4)	1/4-20 (M6)	
SP-4 (M-SP-4)	4.00 (101.6)	0.23 (5.8)	0.50 (12.7)	8-32 (M4)	1/4-20 (M6)	
SP-6 (M-SP-6)	6.00 (152.4)	0.23 (5.8)	0.50 (12.7)	8-32 (M4)	1/4-20 (M6)	
SP-8 (M-SP-8)	8.00 (203.2)	0.23 (5.8)	0.50 (12.7)	8-32 (M4)	1/4-20 (M6)	
SP-12 (M-SP-12)	12.00 (304.8)	0.23 (5.8)	0.50 (12.7)	8-32 (M4)	1/4-20 (M6)	
MSP-1 (M-MSP-1)	1.00 (25.4)	0.10 (2.5)	0.31 (7.9)	8-32 (M4)	8-32 (M4)	
MSP-1.5 (M-MSP-1.5)	1.50 (38.1)	0.10 (2.5)	0.31 (7.9)	8-32 (M4)	8-32 (M4)	
MSP-2 (M-MSP-2)	2.00 (50.8)	0.10 (2.5)	0.31 (7.9)	8-32 (M4)	8-32 (M4)	
MSP-3 (M-MSP-3)	3.00 (76.2)	0.10 (2.5)	0.31 (7.9)	8-32 (M4)	8-32 (M4)	

Model (Metric)	Dimensions [in. (mm)]		Diameter [in. (mm)]		Thread	
	A	B	C			
VPH-1 (M-VPH-1)	1.00 (25.4)	0.50 (12.7)			1/4-20 (M6)	
VPH-1.5 (M-VPH-1.5)	1.50 (38.1)	0.50 (12.7)			1/4-20 (M6)	
VPH-2 (M-VPH-2)	2.00 (50.8)	0.50 (12.7)			1/4-20 (M6)	
VPH-3 (M-VPH-3)	3.00 (76.2)	0.50 (12.7)			1/4-20 (M6)	
VPH-4 (M-VPH-4)	4.00 (101.6)	0.50 (12.7)			1/4-20 (M6)	
VPH-6 (M-VPH-6)	6.00 (152.4)	0.50 (12.7)			1/4-20 (M6)	



SP Series Posts can be connected using thread adaptors.

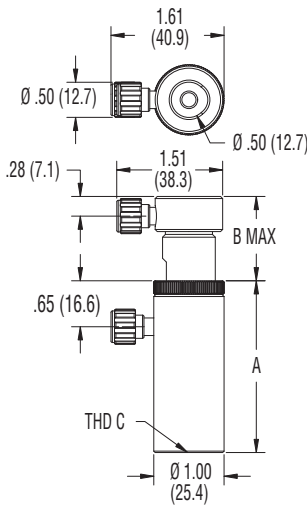


Pedestal Bases allow Post Holders to be clamped anywhere on a table (see page 986).



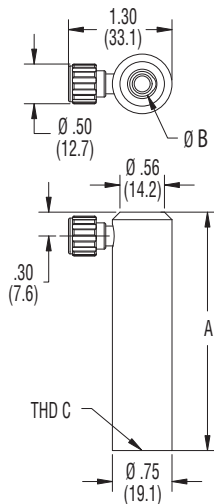
Thread Adaptors (see page 958)

VPT Series

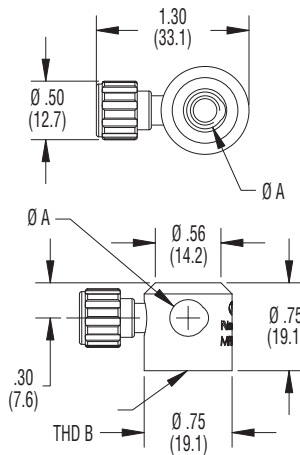


Model (Metric)	Dimensions [in. (mm)]			Thread
	A	B	C	
VPT-2 (M-VPT-2)	1.44 (36.6)	0.84 (21.3)	1/4-20 (M6)	
VPT-3 (M-VPT-3)	2.44 (62.0)	1.20 (30.5)	1/4-20 (M6)	
VPT-4 (M-VPT-4)	3.44 (87.4)	1.20 (30.5)	1/4-20 (M6)	

MPH Series



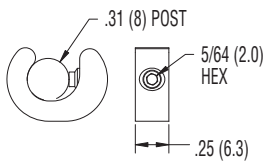
Model MPH-0.5C



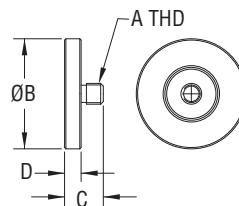
Model (Metric)	Diameter [in. (mm)]		Thread
	A	B	
MPH-0.5C (M-MPH-0.5C)	0.313 (8.0)	1/4-20 (M6)	

Model (Metric)	Dimensions [in. (mm)]			Thread
	A	B	C	
MPH-1 (M-MPH-1)	1.00 (25.4)	0.313 (8.0)	1/4-20 (M6)	
MPH-2 (M-MPH-2)	2.00 (50.8)	0.313 (8.0)	1/4-20 (M6)	
MPH-3 (M-MPH-3)	3.00 (76.2)	0.313 (8.0)	1/4-20 (M6)	

Model C-0.3

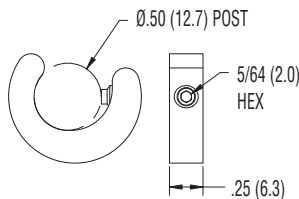


Models PS-A, PS-AZ



Model (Metric)	Thread	Dimensions [in. (mm)]			
		A	B	C	D
PS-A (M-PS-A)	1/4-20 (M6)	1.25 (31.8)	0.44 (11.2)	0.19 (4.8)	
PS-AZ (M-PS-AZ)	1/4-20 (M6)	1.25 (31.8)	0.44 (11.2)	0.19 (4.8)	

Model C-0.5



CAD See our website for CAD files

MIRROR MOUNTS  
LENS MOUNTS  
SPECIALTY OPTICAL MOUNTS  
RAIL SYSTEMS  
MECHANICAL OPTICS  
ACCESSORIES  
BASES, BRACKETS AND CLAMPS  
OPTICAL POSTS AND RODS  
COMPONENT SETS  
FILTER MOUNTS



## Artisan Technology Group is your source for quality new and certified-used/pre-owned equipment

- FAST SHIPPING AND DELIVERY
- TENS OF THOUSANDS OF IN-STOCK ITEMS
- EQUIPMENT DEMOS
- HUNDREDS OF MANUFACTURERS SUPPORTED
- LEASING/MONTHLY RENTALS
- ITAR CERTIFIED SECURE ASSET SOLUTIONS

### SERVICE CENTER REPAIRS

Experienced engineers and technicians on staff at our full-service, in-house repair center

### *InstraView*<sup>SM</sup> REMOTE INSPECTION

Remotely inspect equipment before purchasing with our interactive website at [www.instraview.com](http://www.instraview.com) ↗

### WE BUY USED EQUIPMENT

Sell your excess, underutilized, and idle used equipment. We also offer credit for buy-backs and trade-ins. [www.artisanng.com/WeBuyEquipment](http://www.artisanng.com/WeBuyEquipment) ↗

### LOOKING FOR MORE INFORMATION?

Visit us on the web at [www.artisanng.com](http://www.artisanng.com) ↗ for more information on price quotations, drivers, technical specifications, manuals, and documentation

**Contact us:** (888) 88-SOURCE | [sales@artisanng.com](mailto:sales@artisanng.com) | [www.artisanng.com](http://www.artisanng.com)