



## Artisan Technology Group is your source for quality new and certified-used/pre-owned equipment

- FAST SHIPPING AND DELIVERY
- TENS OF THOUSANDS OF IN-STOCK ITEMS
- EQUIPMENT DEMOS
- HUNDREDS OF MANUFACTURERS SUPPORTED
- LEASING/MONTHLY RENTALS
- ITAR CERTIFIED SECURE ASSET SOLUTIONS

### SERVICE CENTER REPAIRS

Experienced engineers and technicians on staff at our full-service, in-house repair center

### *InstraView*<sup>SM</sup> REMOTE INSPECTION

Remotely inspect equipment before purchasing with our interactive website at [www.instraview.com](http://www.instraview.com) ↗

### WE BUY USED EQUIPMENT

Sell your excess, underutilized, and idle used equipment. We also offer credit for buy-backs and trade-ins. [www.artisanng.com/WeBuyEquipment](http://www.artisanng.com/WeBuyEquipment) ↗

### LOOKING FOR MORE INFORMATION?

Visit us on the web at [www.artisanng.com](http://www.artisanng.com) ↗ for more information on price quotations, drivers, technical specifications, manuals, and documentation


**Contact us:** (888) 88-SOURCE | [sales@artisanng.com](mailto:sales@artisanng.com) | [www.artisanng.com](http://www.artisanng.com)

# WALSALL

Cornwallis Road - West Bromwich  
West Midlands - B70 7DX - UK  
TEL: + 44 (0) 121 500 6161 - Fax: + 44 (0) 121 500 6300  
Email:sales@walsall-ltd.com - Web: www.walsall-ltd.com

## Datasheet for E220

### Hazardous Area Specification

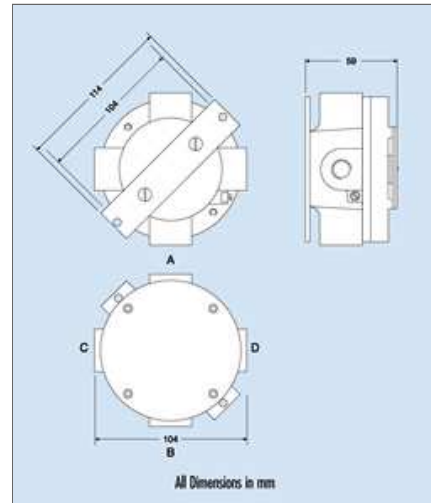
Marking to 94/9/EC	 II 2 GD
Type of Protection	Ex d IIB
Area Classification	Zones 1, 21, 2, 22 Groups IIB
Temperature Info	T6 -20°C to +40°C
Ingress Protection	IP66 to EN60529:1992
Certification Number(s)	ATEX E220 Certificate SIRA01ATEX1130.pdf Download (582 kb) Download

### Enclosure Specification

Material	Cast iron to 180BS1452:1977
Finish	Zinc rich epoxy powder primer plus epoxy powder top coat
Cover Fixing	M6 allen head stainless steel screwsscrews
Gasket	By grease
Earthing	Internal and external EEx e brass clamps on base
Mounting	Steel mounting strap. 8mm diameter fixing holes
Dimensions	105mm diameter x 59mm
Weight Empty	2Kgs
Colour	Black

### Entry Specification

1 x 20mm EEx d entries at A, B, C, D as standard All entries filled with EE x d stopping plugs as standard 25mm entries available as an option



www.walsall-ltd.com - Site and Content ©2008 Walsall Ltd



## Artisan Technology Group is your source for quality new and certified-used/pre-owned equipment

- FAST SHIPPING AND DELIVERY
- TENS OF THOUSANDS OF IN-STOCK ITEMS
- EQUIPMENT DEMOS
- HUNDREDS OF MANUFACTURERS SUPPORTED
- LEASING/MONTHLY RENTALS
- ITAR CERTIFIED SECURE ASSET SOLUTIONS

### SERVICE CENTER REPAIRS

Experienced engineers and technicians on staff at our full-service, in-house repair center

### *InstraView*<sup>SM</sup> REMOTE INSPECTION

Remotely inspect equipment before purchasing with our interactive website at [www.instraview.com](http://www.instraview.com) ↗

### WE BUY USED EQUIPMENT

Sell your excess, underutilized, and idle used equipment. We also offer credit for buy-backs and trade-ins. [www.artisanng.com/WeBuyEquipment](http://www.artisanng.com/WeBuyEquipment) ↗

### LOOKING FOR MORE INFORMATION?

Visit us on the web at [www.artisanng.com](http://www.artisanng.com) ↗ for more information on price quotations, drivers, technical specifications, manuals, and documentation

**Contact us:** (888) 88-SOURCE | [sales@artisanng.com](mailto:sales@artisanng.com) | [www.artisanng.com](http://www.artisanng.com)