



Artisan Technology Group is your source for quality new and certified-used/pre-owned equipment

- FAST SHIPPING AND DELIVERY
- TENS OF THOUSANDS OF IN-STOCK ITEMS
- EQUIPMENT DEMOS
- HUNDREDS OF MANUFACTURERS SUPPORTED
- LEASING/MONTHLY RENTALS
- ITAR CERTIFIED SECURE ASSET SOLUTIONS

SERVICE CENTER REPAIRS

Experienced engineers and technicians on staff at our full-service, in-house repair center

*InstraView*SM REMOTE INSPECTION

Remotely inspect equipment before purchasing with our interactive website at www.instraview.com ↗

WE BUY USED EQUIPMENT

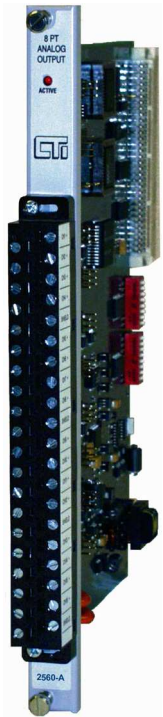
Sell your excess, underutilized, and idle used equipment. We also offer credit for buy-backs and trade-ins. www.artisanng.com/WeBuyEquipment ↗

LOOKING FOR MORE INFORMATION?

Visit us on the web at www.artisanng.com ↗ for more information on price quotations, drivers, technical specifications, manuals, and documentation

Contact us: (888) 88-SOURCE | sales@artisanng.com | www.artisanng.com

2560-A 8-Channel Isolated Analog Output Module



Description

The 2560-A is a high-speed 8-channel isolated analog output module designed to be compatible with the CTI 2500 Series and Simatic® 505 I/O base. The 2560-A translates a digital word from the controller into equivalent analog outputs.

Features

- 1500V channel-to-channel isolation
- 1500V channel-to-PLC backplane isolation
- Fast 0.25 mSec update time per channel
- Voltage and current outputs available simultaneously
- Bipolar or Unipolar outputs per channel
- Individual D/A converter for each output channel

Specifications

Output Channels: 8 isolated
Response Time: 2 mSec total module

Output Range:

Unipolar: 0 to +5.12 VDC

0 to +10.24 VDC

0 to 20 mA

Bipolar: -5.12 to +5.12 VDC

-10.24 to +10.24 VDC

-20 to +20 mA

Resolution:

0-20 mA range = 5 μ A/step

0-5 VDC range = 1.25 mV/step

0-10 VDC range = 2.5 mV/step

-5 to +5 VDC range = 2.5 mV/step

-10 to +10 VDC range = 5.0 mV/step

-20 to +20 mA range = 10 μ A/step

Isolation:

1500 VDC channel-to-channel

1500 VDC channel-to-PLC

Capacitance Drive: 0.01 microfarads

Load Resistance:

Voltage: 1K Ω minimum, no maximum

Current: 0 Ω to 1K Ω max. @ 24 VDC

or up to 2000 Ω max. with an external

10V power supply present in circuit

Voltage Accuracy:

0.1% of full scale from 0° to 60°C over total

load range

Current Accuracy:

0.5% of full scale from 0° to 60°C over total

load range

User Supply:

20 to 28 VDC @ 0.5 Amps (maximum ripple of

0.4 V) NOTE: Maximum load resistance for

current output drops to 600 Ω @ 20 VDC user

supply

Connector:

Removable

Wire Gauge:

14 to 22 AWG

Backplane Power:

1.7 Watts

Module Size:

Single-wide

Operating Temperature:

0° to 60°C (32° to

140°F)

Storage Temperature:

-40° to 85°C (-40° to

185°F)

Humidity, Relative:

5% to 95% (non-

condensing)

Agency Approvals:

UL, UL for Canada,

FM (Class 1, Div 2), CE

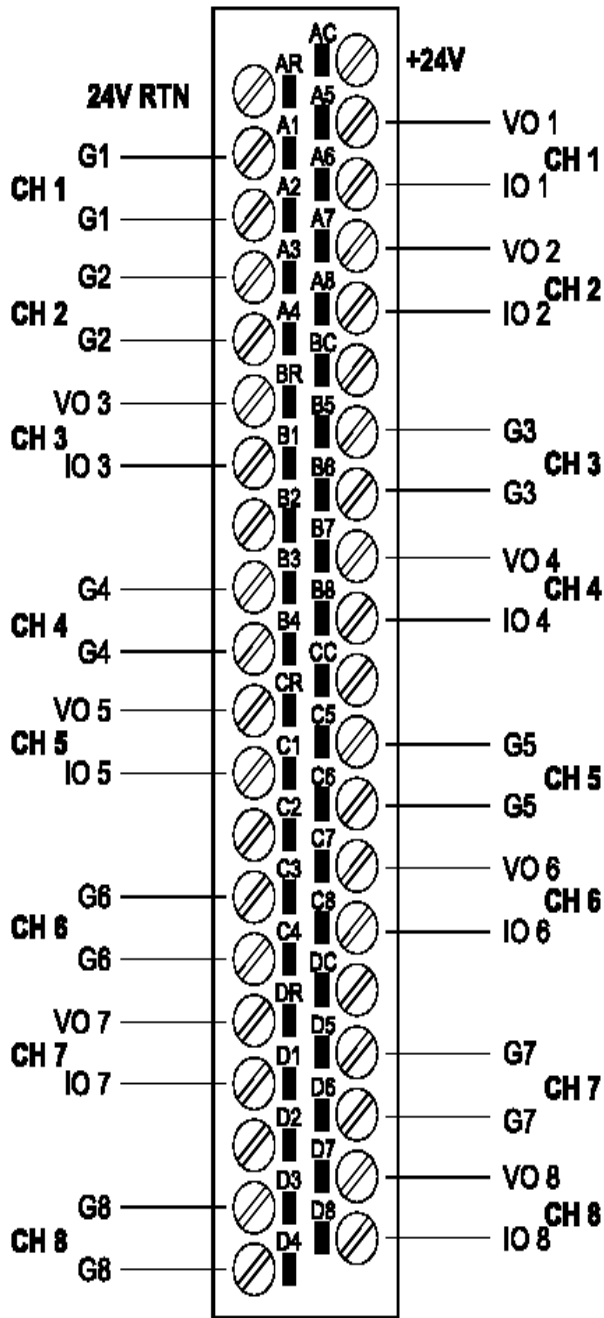
Shipping Weight: 1.5 lbs. (0.68 Kg)



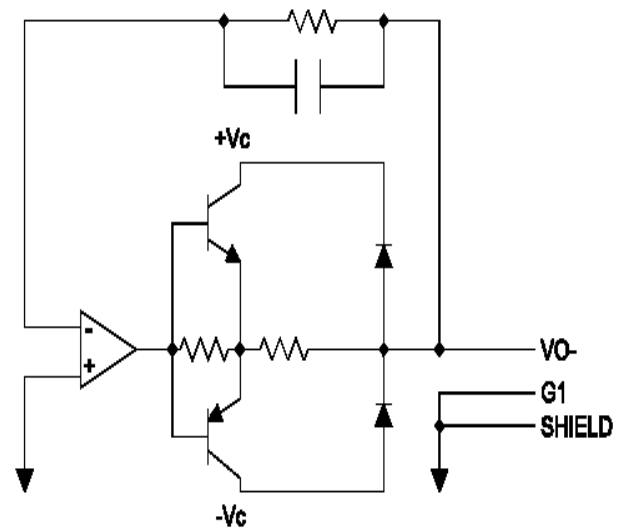
Control Technology Inc.

5734 Middlebrook Pike, Knoxville, TN 37921-5962

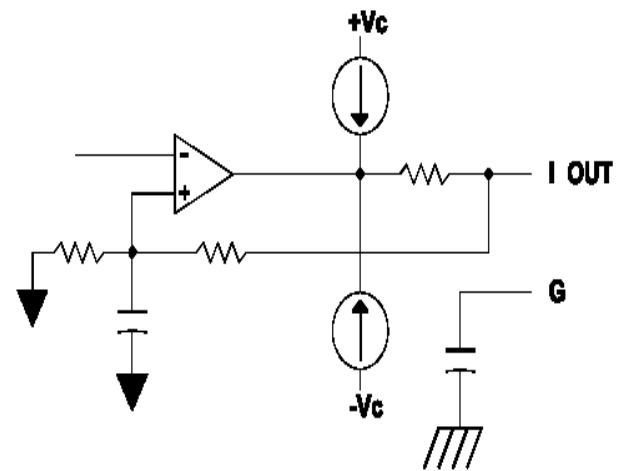
Phone: 865/584-0440 Fax: 865/584-5720 www.controltechnology.com



2560-A Connector



Typical Internal Circuit - Voltage Mode



Typical Internal Circuit - Current Mode

NOTE: The front connector on the module contains a G terminal which may be used for the shield wire if the installation is in a noise free environment. If the installation is in an extremely noisy environment CTI strongly recommends that the shield wires be terminated to the PLC chassis ground.



Artisan Technology Group is your source for quality new and certified-used/pre-owned equipment

- FAST SHIPPING AND DELIVERY
- TENS OF THOUSANDS OF IN-STOCK ITEMS
- EQUIPMENT DEMOS
- HUNDREDS OF MANUFACTURERS SUPPORTED
- LEASING/MONTHLY RENTALS
- ITAR CERTIFIED SECURE ASSET SOLUTIONS

SERVICE CENTER REPAIRS

Experienced engineers and technicians on staff at our full-service, in-house repair center

*InstraView*SM REMOTE INSPECTION

Remotely inspect equipment before purchasing with our interactive website at www.instraview.com ↗

WE BUY USED EQUIPMENT

Sell your excess, underutilized, and idle used equipment. We also offer credit for buy-backs and trade-ins. www.artisanng.com/WeBuyEquipment ↗

LOOKING FOR MORE INFORMATION?

Visit us on the web at www.artisanng.com ↗ for more information on price quotations, drivers, technical specifications, manuals, and documentation

Contact us: (888) 88-SOURCE | sales@artisanng.com | www.artisanng.com