



Artisan Technology Group is your source for quality new and certified-used/pre-owned equipment

- FAST SHIPPING AND DELIVERY
- TENS OF THOUSANDS OF IN-STOCK ITEMS
- EQUIPMENT DEMOS
- HUNDREDS OF MANUFACTURERS SUPPORTED
- LEASING/MONTHLY RENTALS
- ITAR CERTIFIED SECURE ASSET SOLUTIONS

SERVICE CENTER REPAIRS

Experienced engineers and technicians on staff at our full-service, in-house repair center

*InstraView*SM REMOTE INSPECTION

Remotely inspect equipment before purchasing with our interactive website at www.instraview.com ↗

WE BUY USED EQUIPMENT

Sell your excess, underutilized, and idle used equipment. We also offer credit for buy-backs and trade-ins. www.artisanng.com/WeBuyEquipment ↗

LOOKING FOR MORE INFORMATION?

Visit us on the web at www.artisanng.com ↗ for more information on price quotations, drivers, technical specifications, manuals, and documentation

Contact us: (888) 88-SOURCE | sales@artisanng.com | www.artisanng.com



General Information

Although effective in a variety of applications, Model 4452 is specifically designed for digital audio use, providing sixteen individual analog inputs and outputs with 16-bit resolution.

Preset Standard Sampling Rates

Preset sampling rates can be chosen under program control for the common digital audio applications, including 44.1 kHz for CD, 48 kHz for DAT and 8 kHz for digital telecommunications.

Any other sampling rate from 4 kHz to 50 kHz can be derived from the internal clock or provided externally. Due to the delta-sigma conversion technique employed, all channels are sampled simultaneously with virtually zero phase delay between channels.

Precision Data Conversion

The data converters provide greater than 80 dB dynamic range at both input and output. For telecommunications applications built-in μ -law and A-law companding can be selected at input and output.

Signal Conditioning Built in

The delta-sigma converters include digital low pass filtering to prevent aliasing. These linear-phase filters track the sampling rate and exhibit extremely sharp rolloffs and flat passband response. Matching filters are provided at each D/A output to remove sampling components. Input gain and

output attenuation are included. Gain and attenuation changes are timed at zero crossings to prevent switching noise.

Specifications

Input: ± 2.8 V full scale, 100 kohm impedance, ± 0.5 dB frequency response

Input gain: programmable from 0.0 dB to +22.5 dB in 1.5 dB steps

Output: ± 2.8 V full scale, 50 ohm impedance, ± 0.5 dB frequency response

Output attenuation: programmable from 0.0 to 94.5 dB in 1.5 dB steps

Input and output filters: digital, track at 45% of sampling rate; -74 dB stopband at $\geq 55\%$ of sampling rate; ± 0.1 dB ripple, 0 ms group delay variance

A/D and D/A conversion: 16 bits, 80 dB dynamic range; ± 0.9 LSB differential non-linearity; 74 dB SINAD

Compression/decompression: software programmable 8-bit A-law or μ -law

Sampling rates: 4 kHz to 50 kHz from internal or ext. clock; preset rates of 8, 16, 24, 32, 44.1, 48 kHz and others

VXI interface: A16/A24/D16/D32 device; memory-mapped registers for status and control; all data transfers in and out of the module are buffered in the 2 MB local SRAM which is mapped to the VXIbus

Power: 6.0 A at +5 V; 0.2 A at +12 V; 0.2 A at -12 V; 0.5 A at -5 V from the VXIbus

Size: standard C-size VXI module

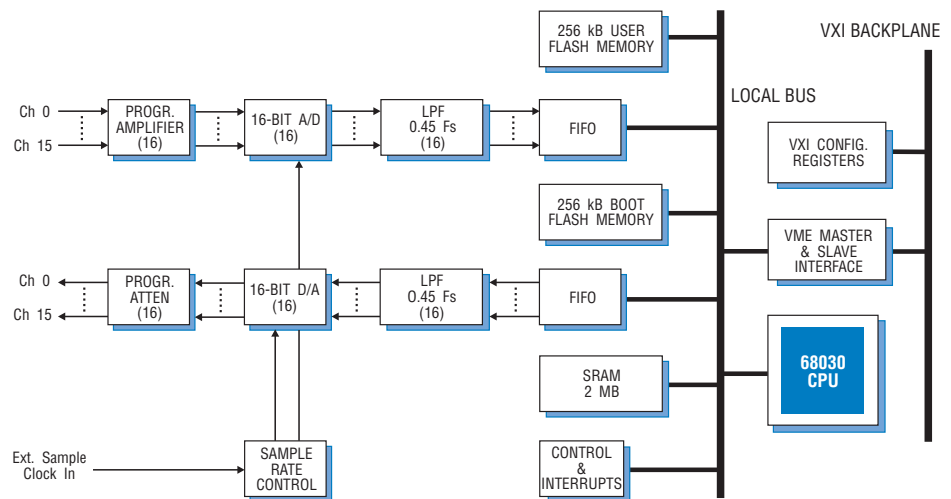
Features

- Simultaneous sampling
- 16-bit 80 dB dynamic range
- Input anti-aliasing and output smoothing filters
- Software programmable attenuation, gain, compression and sampling rate
- Ideal for digital audio
- Includes platform-independent VI driver for National Instruments LabVIEW
- VXI *plug&play* compliant

Ordering Information

Model	Description
4452	16-Ch 16-bit A/D & D/A VXI module

Block Diagram, Model 4452





Artisan Technology Group is your source for quality new and certified-used/pre-owned equipment

- FAST SHIPPING AND DELIVERY
- TENS OF THOUSANDS OF IN-STOCK ITEMS
- EQUIPMENT DEMOS
- HUNDREDS OF MANUFACTURERS SUPPORTED
- LEASING/MONTHLY RENTALS
- ITAR CERTIFIED SECURE ASSET SOLUTIONS

SERVICE CENTER REPAIRS

Experienced engineers and technicians on staff at our full-service, in-house repair center

*InstraView*SM REMOTE INSPECTION

Remotely inspect equipment before purchasing with our interactive website at www.instraview.com ↗

WE BUY USED EQUIPMENT

Sell your excess, underutilized, and idle used equipment. We also offer credit for buy-backs and trade-ins. www.artisanng.com/WeBuyEquipment ↗

LOOKING FOR MORE INFORMATION?

Visit us on the web at www.artisanng.com ↗ for more information on price quotations, drivers, technical specifications, manuals, and documentation

Contact us: (888) 88-SOURCE | sales@artisanng.com | www.artisanng.com