



Artisan Technology Group is your source for quality new and certified-used/pre-owned equipment

- FAST SHIPPING AND DELIVERY
- TENS OF THOUSANDS OF IN-STOCK ITEMS
- EQUIPMENT DEMOS
- HUNDREDS OF MANUFACTURERS SUPPORTED
- LEASING/MONTHLY RENTALS
- ITAR CERTIFIED SECURE ASSET SOLUTIONS

SERVICE CENTER REPAIRS

Experienced engineers and technicians on staff at our full-service, in-house repair center

*InstraView*SM REMOTE INSPECTION

Remotely inspect equipment before purchasing with our interactive website at www.instraview.com ↗

WE BUY USED EQUIPMENT

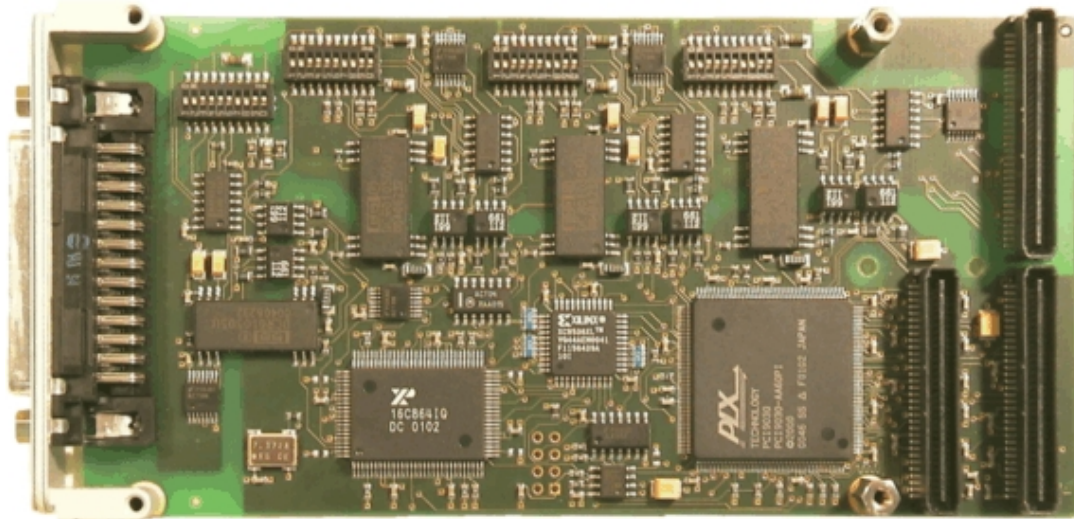
Sell your excess, underutilized, and idle used equipment. We also offer credit for buy-backs and trade-ins. www.artisanng.com/WeBuyEquipment ↗

LOOKING FOR MORE INFORMATION?

Visit us on the web at www.artisanng.com ↗ for more information on price quotations, drivers, technical specifications, manuals, and documentation

Contact us: (888) 88-SOURCE | sales@artisanng.com | www.artisanng.com

TPMC861 4 Channel Isolated Serial Interface RS422/RS485



Application Information

The TPMC861 is a standard single-width 32 bit PMC module with four channels of high performance RS422/485-HD/FD asynchronous serial interface. Each of the four channels is isolated from the system and against each other by optocoupler and on board DC/DC converter per channel.

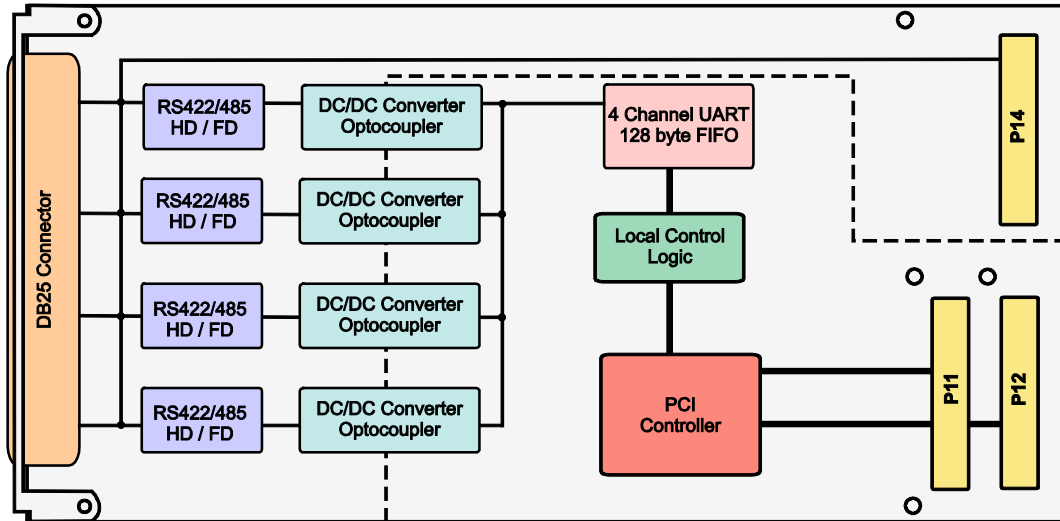
The serial channels are accessible through a DB25 connector mounted in the front panel and via P14 I/O. Each channel has a 128 byte transmit FIFO and a 128 byte receive FIFO to significantly reduce the overhead required to provide data to and get data from the transmitter and receivers. The FIFO trigger levels are programmable. For RS422 and RS485-FD a four wire interface (RX+, RX-, TX+, TX-) plus isolated ground (GND) per channel is supported. For RS485-HD a two wire interface (DX+, DX-) plus isolated ground (GND) per channel is supported. The baud rate is individually programmable up to 460.8 Kbaud for each channel. The interrupts are supported.

All channels generate interrupts on PCI interrupt INTA. For fast interrupt source detection the TPMC861 provides a special interrupt status register. Each receiver input and transmitter output of all channels is protected against electrostatic discharge (ESD) up to +/- 15kV according to IEC 1000-4-2.

Software Support (TPMC861-SW-xx) is available for different operating systems.

Technical Information

- Standard single-width 32 bit PMC module conforming to IEEE P1386.1
- PCI 2.1 compliant interface
- 3.3V and 5V PCI Signaling Voltage
- 4 channel RS422/485 asynchronous serial interface
- Serial channels isolated from system and against each other by optocoupler and on board DC/DC converter per channel
- For RS422 and RS485-FD support of RxD, TxD and GND per channel
- For RS485-HD support of DX+, DX- and GND per channel
- Programmable baud rates up to 460.8 Kbaud
- 128 byte transmit FIFO and 128 byte receive FIFO per channel
- ESD protected transceiver (up to +/- 15KV according to IEC 1000-4-2)
- Operating temperature -40°C to +85°C



Order Information

RoHS Compliant

TPMC861-10R 4 Channel Isolated Serial Interface RS422 / RS485, DB25

For the availability of non-RoHS compliant (lead solder) products please contact TEWS.

Documentation

TPMC861-DOC User Manual

Software

TPMC861-SW-25 Integrity Software Support
TPMC861-SW-42 VxWorks Software Support (Legacy and VxBus-Enabled Software Support)
TPMC861-SW-65 Windows Software Support
TPMC861-SW-72 LynxOS Software Support
TPMC861-SW-82 Linux Software Support
TPMC861-SW-95 QNX Software Support

For other operating systems please contact TEWS.

Related Products

TA303 Cable Kit for Modules with DB25 Female Connector
TPIM001 PIM I/O Module, HD50 connector



Artisan Technology Group is your source for quality new and certified-used/pre-owned equipment

- FAST SHIPPING AND DELIVERY
- TENS OF THOUSANDS OF IN-STOCK ITEMS
- EQUIPMENT DEMOS
- HUNDREDS OF MANUFACTURERS SUPPORTED
- LEASING/MONTHLY RENTALS
- ITAR CERTIFIED SECURE ASSET SOLUTIONS

SERVICE CENTER REPAIRS

Experienced engineers and technicians on staff at our full-service, in-house repair center

*InstraView*SM REMOTE INSPECTION

Remotely inspect equipment before purchasing with our interactive website at www.instraview.com ↗

WE BUY USED EQUIPMENT

Sell your excess, underutilized, and idle used equipment. We also offer credit for buy-backs and trade-ins. www.artisanng.com/WeBuyEquipment ↗

LOOKING FOR MORE INFORMATION?

Visit us on the web at www.artisanng.com ↗ for more information on price quotations, drivers, technical specifications, manuals, and documentation

Contact us: (888) 88-SOURCE | sales@artisanng.com | www.artisanng.com