



Artisan Technology Group is your source for quality new and certified-used/pre-owned equipment

- FAST SHIPPING AND DELIVERY
- TENS OF THOUSANDS OF IN-STOCK ITEMS
- EQUIPMENT DEMOS
- HUNDREDS OF MANUFACTURERS SUPPORTED
- LEASING/MONTHLY RENTALS
- ITAR CERTIFIED SECURE ASSET SOLUTIONS

SERVICE CENTER REPAIRS

Experienced engineers and technicians on staff at our full-service, in-house repair center

*InstraView*SM REMOTE INSPECTION

Remotely inspect equipment before purchasing with our interactive website at www.instraview.com ↗

WE BUY USED EQUIPMENT

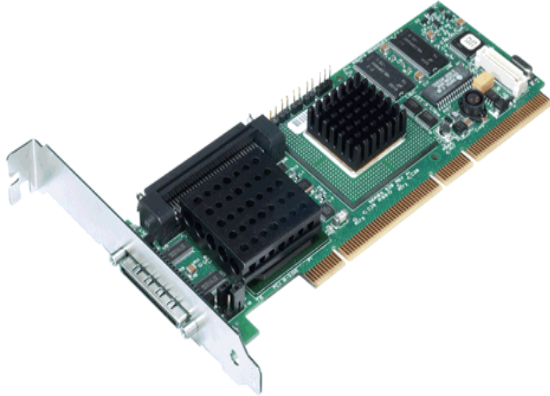
Sell your excess, underutilized, and idle used equipment. We also offer credit for buy-backs and trade-ins. www.artisanng.com/WeBuyEquipment ↗

LOOKING FOR MORE INFORMATION?

Visit us on the web at www.artisanng.com ↗ for more information on price quotations, drivers, technical specifications, manuals, and documentation

Contact us: (888) 88-SOURCE | sales@artisanng.com | www.artisanng.com

LSI Logic MegaRAID[®] SCSI 320-1 Controller



Thank you for purchasing the MegaRAID SCSI 320-1 Controller. Please take a few minutes to read this *Quick Hardware Setup Guide* before you install the MegaRAID controller. If you need more information about any topic covered in this guide, please refer to the other documents on your Driver and Documentation CD.

Contents of Driver and Documentation CD

The Driver and Documentation CD is packaged with the MegaRAID SCSI 320-1 Controller. The CD contains utility programs, device drivers for various operating systems, and the following documentation:

- *MegaRAID SCSI 320-1 Hardware Guide*
- *MegaRAID Configuration Software Guide*
- *MegaRAID Operating System Driver Installation Guide*
- Software license agreement and warranty registration card

Technical Support

If you need help installing, configuring, or running the MegaRAID SCSI 320-1 Controller, contact LSI Logic Technical Support:

Phone Support: 678-728-1250

Web Site: <http://megaraid.lsillogic.com/support/index.html>

Email: MegaRAIDsupport@lsil.com

MegaRAID Controller Installation

Caution: Make a backup of your data before you change your system configuration. Otherwise you may lose data.

Follow these steps to install the MegaRAID SCSI 320-1 Controller. Each step is explained more fully in the following text:

Step	Action
1	Unpack the MegaRAID SCSI 320-1 Controller.
2	Turn off the computer, remove the power cord, and remove the cover.
3	Check the MegaRAID controller jumper settings.
4	Install the MegaRAID controller.
5	Connect the SCSI devices to the MegaRAID controller.
6	Set the target IDs for the SCSI devices.
7	Set SCSI termination.
8	Replace the computer cover and turn the power on.

Step	Action
9	Run the MegaRAID BIOS Configuration Utility.
10	Install the operating system driver.

Step 1: Unpack MegaRAID Controller

Unpack and install the MegaRAID SCSI 320-1 Controller in a static-free environment. Remove the MegaRAID controller from the anti-static bag and inspect it for damage. If it appears to be damaged, or if the Driver and Documentation CD is missing, contact LSI Logic or your MegaRAID OEM support representative.

Step 2: Prepare Computer

Turn off the computer and remove the power cord from the back of the power supply. Remove the cover from the chassis. *Make sure the computer is disconnected from the power and from any networks before installing the controller card.*

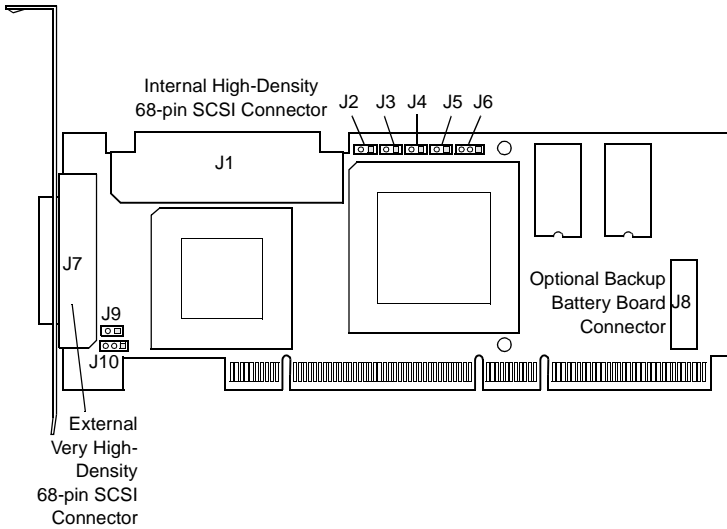
Step 3: Check MegaRAID Controller Jumpers

Make sure the jumper settings on the MegaRAID controller are correct. The jumpers are set at the factory, and you probably do not need to change them. The following table lists the jumpers and connectors on the RAID controller.

Item	Description	Type
J1	Internal high-density SCSI connector.	68-pin connector
J2	Dirty cache LED: This can be connected to an LED on the computer enclosure. The LED will be lit when data in the cache has not yet been written to the storage device.	2-pin header
J3	Clears EPROM configuration data.	2-pin header
J4	Enables or disables the MegaRAID onboard BIOS. Leave the BIOS enabled (no jumper).	2-pin header
J5	SCSI activity indicator: this can be connected to the hard disk LED on the computer case to show SCSI bus activity.	2-pin header
J6	Serial port. For test purposes only.	3-pin connector
J7	External Very High-density SCSI connector.	68-pin connector
J8	Battery backup board connector.	40-pin connector
J9	SCSI bus termination power. Leave at the default setting (jumper installed) to allow the PCI bus to provide termination power.	2-pin header
J10	SCSI Termination Control: Leave at the default setting (jumper on pins 1 and 2) to allow the MegaRAID controller to automatically set its own SCSI termination.	3-pin header

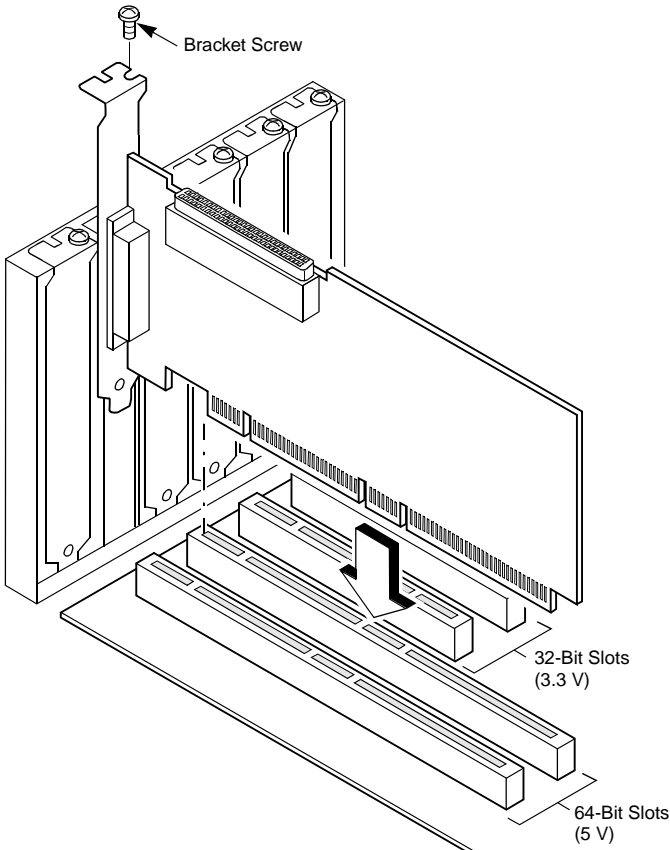
Quick Hardware Setup Guide

The following diagram shows the location of the jumpers and connectors on the MegaRAID SCSI 320-1 Controller.



Step 4: Install the MegaRAID SCSI 320-1 Controller

Install the MegaRAID SCSI 320-1 Controller in a 3.3 V or 5 V PCI slot, as shown below. Press down gently, but firmly, to make sure that the card is properly seated in the slot. The bottom edge of the controller card must be flush with the slot. Attach the MegaRAID controller to the computer chassis with the bracket screw.



Step 5: Connect SCSI Devices to MegaRAID Controller

Connect SCSI devices to the internal high-density 68-pin SCSI connector (J1) and/or the external very high-density 68-pin SCSI connector (J7). To achieve maximum data throughput, use only Ultra320 SCSI devices. The MegaRAID SCSI 320-1 Controller supports up to 15 Ultra320 devices at a maximum SCSI

bus cable length of 12 m. You can also connect Ultra160 and Ultra2 SCSI devices. The *MegaRAID SCSI 320-1 Hardware Guide* lists the maximum number of devices and maximum cable length for each kind of SCSI device.

Disable SCSI termination on all devices that are not connected at the end of the SCSI bus. Use only high-quality ribbon SCSI cables for internal devices and high-quality round SCSI cables for external devices.

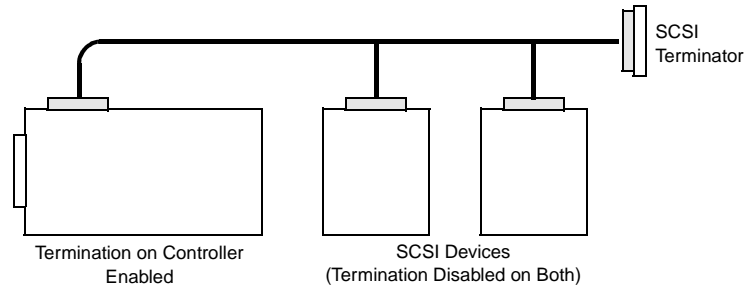
Step 6: Set Target IDs for SCSI Devices

Each connected SCSI device must have a unique Target ID (TID), ranging from 0 to 15 for 16-bit devices. Note that under DOS ASPI, SCSI devices are limited to SCSI IDs 1 to 6. The MegaRAID SCSI 320-1 Controller is automatically assigned TID 7, which has the highest priority. Check all SCSI devices to make sure that no two devices are set to the same TID. Change the TIDs as needed. See the SCSI device documentation if you are not sure how to do this.

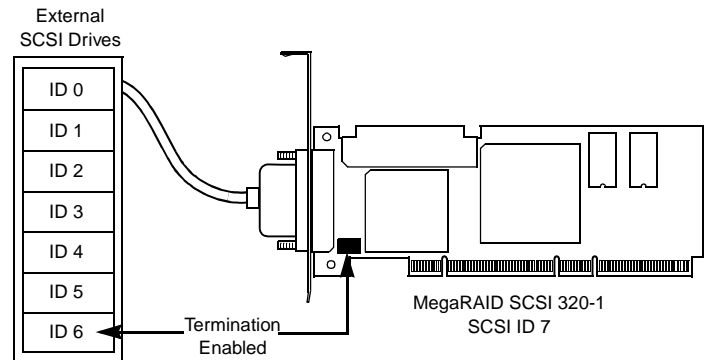
Step 7: Set SCSI Termination

The SCSI bus, which consists of connected SCSI cables and SCSI devices, is an electrical transmission line that must be terminated properly to minimize signal reflections and prevent data loss. Disk enclosures normally handle termination for the SCSI devices in the enclosure. Refer to your enclosure documentation for more information.

SCSI termination must be set at each end of the SCSI bus, as shown in the following figure. In this example, only internal SCSI devices are connected to the MegaRAID controller. The MegaRAID controller automatically terminates its end of the SCSI bus if only internal devices or only external devices are connected to the SCSI bus. It automatically disables termination if both internal and external devices are connected to the bus, because the MegaRAID controller is then in the "middle" of the bus.



For a disk array, set SCSI bus termination so that removing or adding a SCSI device does not disturb termination. To do this, connect the MegaRAID SCSI 320-1 Controller to one end of the SCSI cable and connect a SCSI terminator module at the other end of the cable. Attach SCSI devices to the connectors between the two ends, and disable termination on them. The following example shows an external drive enclosure with seven SCSI drives. Termination is enabled at the end of the cable nearest the "last" SCSI drive, which is assigned SCSI ID6.





Artisan Technology Group is your source for quality new and certified-used/pre-owned equipment

- FAST SHIPPING AND DELIVERY
- TENS OF THOUSANDS OF IN-STOCK ITEMS
- EQUIPMENT DEMOS
- HUNDREDS OF MANUFACTURERS SUPPORTED
- LEASING/MONTHLY RENTALS
- ITAR CERTIFIED SECURE ASSET SOLUTIONS

SERVICE CENTER REPAIRS

Experienced engineers and technicians on staff at our full-service, in-house repair center

*InstraView*SM REMOTE INSPECTION

Remotely inspect equipment before purchasing with our interactive website at www.instraview.com ↗

WE BUY USED EQUIPMENT

Sell your excess, underutilized, and idle used equipment. We also offer credit for buy-backs and trade-ins. www.artisanng.com/WeBuyEquipment ↗

LOOKING FOR MORE INFORMATION?

Visit us on the web at www.artisanng.com ↗ for more information on price quotations, drivers, technical specifications, manuals, and documentation

Contact us: (888) 88-SOURCE | sales@artisanng.com | www.artisanng.com