



## Artisan Technology Group is your source for quality new and certified-used/pre-owned equipment

- FAST SHIPPING AND DELIVERY
- TENS OF THOUSANDS OF IN-STOCK ITEMS
- EQUIPMENT DEMOS
- HUNDREDS OF MANUFACTURERS SUPPORTED
- LEASING/MONTHLY RENTALS
- ITAR CERTIFIED SECURE ASSET SOLUTIONS

### SERVICE CENTER REPAIRS

Experienced engineers and technicians on staff at our full-service, in-house repair center

### *InstraView*<sup>SM</sup> REMOTE INSPECTION

Remotely inspect equipment before purchasing with our interactive website at [www.instraview.com](http://www.instraview.com) ↗

### WE BUY USED EQUIPMENT

Sell your excess, underutilized, and idle used equipment. We also offer credit for buy-backs and trade-ins. [www.artisanng.com/WeBuyEquipment](http://www.artisanng.com/WeBuyEquipment) ↗

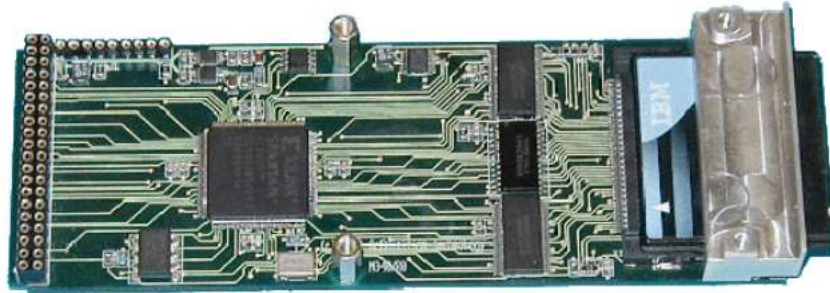
### LOOKING FOR MORE INFORMATION?

Visit us on the web at [www.artisanng.com](http://www.artisanng.com) ↗ for more information on price quotations, drivers, technical specifications, manuals, and documentation

**Contact us:** (888) 88-SOURCE | [sales@artisanng.com](mailto:sales@artisanng.com) | [www.artisanng.com](http://www.artisanng.com)

# CompactFlash M-module

By AcQ Inducom



The M340 CompactFlash M-module is used to add a CompactFlash card slot to any platform supporting the M-module standard.

CompactFlash is a small form factor card standard that encompasses CompactFlash (CF) flash data storage cards, magnetic disk cards and I/O cards. The M340 supports all of these types CompactFlash cards.

The M340 has one card interface slot which supports type I and type II CompactFlash (CF) as well as CF+ Cards. Furthermore the M340 supports hotswap and low voltage cards.

Note: IBM microdrive not included.

## Features:

- > CompactFlash (CF) and CompactFlash+ (CF+) compatible
- > Type I and Type II card compatible
- > Microdrive (tm) compatible
- > Low voltage support, 3.3v or 5v cards
- > Hot socketing
- > Card accessible through frontpanel
- > Host Controller configurable for memory mode or I/O mode
- > Two individually configurable windows for accessing the CompactFlash card
- > A08/D16 M-module interface
- > Host interrupts supported
- > Identification EEPROM

## M-module Compliance

- \* A08/D16 (8-bit address and 16-bit data)
- \* INTA (software end-of-interrupt)
- \* IDENT (Identification EEPROM)

## CompactFlash Compliance

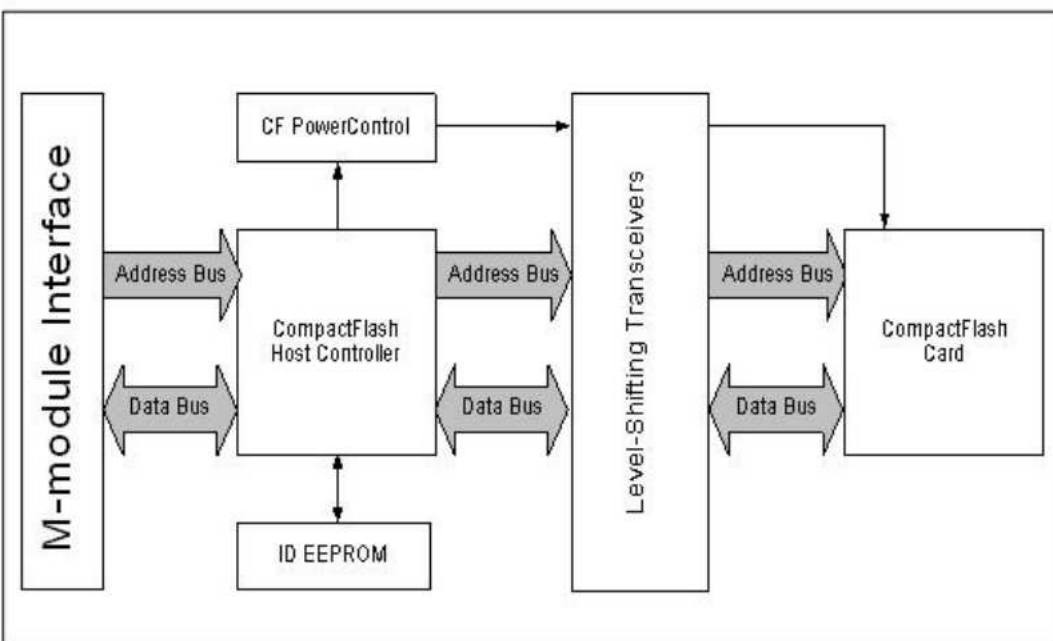
- \* CompactFlash (CF) and CompactFlash+ (CF+) compatible
- \* Type I and Type II card compatible
- \* MicroDrive (tm) compatible
- \* Low voltage, 3.3V and 5V compatible

## CompactFlash Controller

- \* Host Controller configurable for memory mode or I/O mode
- \* Two individually configurable windows for accessing the CompactFlash card
- \* Host interrupts supported
- \* Hot Swap support

## Ordering Information

- \* **M340/T01** M-module
- \* **M340/DOSFS** MS-DOS comp. filesystem, OS-less implementation
- \* **M340/W** APIS based software
- \* **M340/MAN** manual on paper



Visit address  
Rijnstraat 20  
5347 KN Oss

Postal address  
P.O. Box 627  
5340 AP Oss  
The Netherlands

Phone +31 (0)412 64 19 22  
Fax +31 (0)412 62 26 40  
Internet [www.acq.nl](http://www.acq.nl)  
E-mail [info@acq.nl](mailto:info@acq.nl)



## Artisan Technology Group is your source for quality new and certified-used/pre-owned equipment

- FAST SHIPPING AND DELIVERY
- TENS OF THOUSANDS OF IN-STOCK ITEMS
- EQUIPMENT DEMOS
- HUNDREDS OF MANUFACTURERS SUPPORTED
- LEASING/MONTHLY RENTALS
- ITAR CERTIFIED SECURE ASSET SOLUTIONS

### SERVICE CENTER REPAIRS

Experienced engineers and technicians on staff at our full-service, in-house repair center

### *InstraView*<sup>SM</sup> REMOTE INSPECTION

Remotely inspect equipment before purchasing with our interactive website at [www.instraview.com](http://www.instraview.com) ↗

### WE BUY USED EQUIPMENT

Sell your excess, underutilized, and idle used equipment. We also offer credit for buy-backs and trade-ins. [www.artisanng.com/WeBuyEquipment](http://www.artisanng.com/WeBuyEquipment) ↗

### LOOKING FOR MORE INFORMATION?

Visit us on the web at [www.artisanng.com](http://www.artisanng.com) ↗ for more information on price quotations, drivers, technical specifications, manuals, and documentation

**Contact us:** (888) 88-SOURCE | [sales@artisanng.com](mailto:sales@artisanng.com) | [www.artisanng.com](http://www.artisanng.com)