



Artisan Technology Group is your source for quality new and certified-used/pre-owned equipment

- FAST SHIPPING AND DELIVERY
- TENS OF THOUSANDS OF IN-STOCK ITEMS
- EQUIPMENT DEMOS
- HUNDREDS OF MANUFACTURERS SUPPORTED
- LEASING/MONTHLY RENTALS
- ITAR CERTIFIED SECURE ASSET SOLUTIONS

SERVICE CENTER REPAIRS

Experienced engineers and technicians on staff at our full-service, in-house repair center

*InstraView*SM REMOTE INSPECTION

Remotely inspect equipment before purchasing with our interactive website at www.instraview.com ↗

WE BUY USED EQUIPMENT

Sell your excess, underutilized, and idle used equipment. We also offer credit for buy-backs and trade-ins. www.artisanng.com/WeBuyEquipment ↗

LOOKING FOR MORE INFORMATION?

Visit us on the web at www.artisanng.com ↗ for more information on price quotations, drivers, technical specifications, manuals, and documentation

Contact us: (888) 88-SOURCE | sales@artisanng.com | www.artisanng.com



GAMMA

**MINIATURE REGULATED
HIGH VOLTAGE POWER SUPPLIES
PCB/MOUNTABLE**

SERIES: MCR

8 Models: 0 - 300 VDC to 0 - 5000 VDC

FEATURES:

- Low Ripple < .001%
- Small case size
- Low cost
- PCB Mounting
- Positive or Negative Output
- Internal Reference Available
- Arc over & short circuit protected

The flexible design of the series can be adapted to special requirements.



Model Guide

MODEL	VOLTAGE	CURRENT
MCR-0.3*	0-300V	0-5mA
MCR-0.6*	0-600V	0-2.5mA
MCR-1.0*	0-1,000V	0-2mA
MCR-1.5*	0-1,500V	0-1.25mA
MCR-2.0*	0-2,000V	0-1mA
MCR-2.5*	0-2,500V	0-.75mA
MCR-3.0*	0-3,000V	0-.5mA
MCR-5.0*	0-5,000V	0-.25mA

* All units are available in positive or negative polarity. Add P or N as suffix to Model Number to indicate polarity desired.

Applications

- Photomultiplier Tubes
- Solid State Detectors
- Analytical Instruments
- Spectral Source Lamps
- Ink Jet Printers
- Gas Chromatography



GAMMA HIGH VOLTAGE RESEARCH INC.

Designers/Manufacturers-High Voltage Power Supplies
1096 NORTH U.S. #1, ORMOND BEACH, FL 32174 * TEL. 386-677-7070, FAX 386-677-3039



GAMMA

**MINATURE REGULATED
HIGH VOLTAGE POWER SUPPLIES
PCB/MOUNTABLE**

SERIES: MCR

PIN GUIDE

Pin Number	Description
1	No Connection
2	+10V Reference
3	Control Voltage Input
4	Output Voltage Monitor
5	Power Input +24VDC \pm .2%
6	Signal Common
7	Ground
8*	High Voltage Output

* In Units Above 3KV, High Voltage Connection is Via 8" Silicon Wire .125" O.D., Pin 8 Ground.

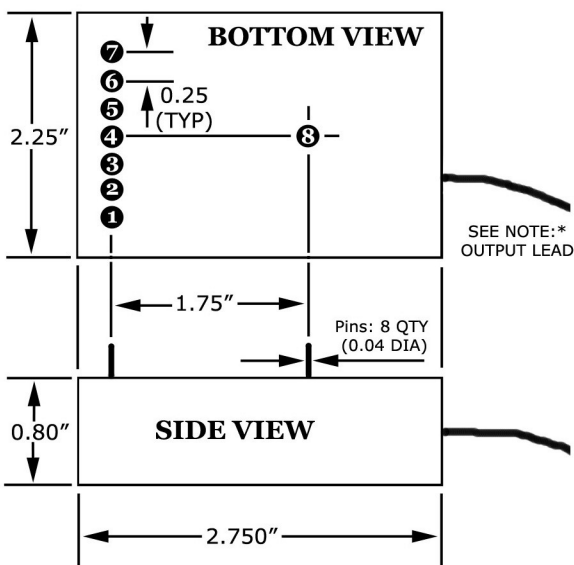
ELECTRICAL CHARACTERISTICS

Input Voltage: +24VDC \pm 2%
 Input Current: 200mA typical @Full Load
 Output Voltage: see model guide
 Output Current: see model guide
 Program Voltage: 0 to +10V
 Program Input Impedance: >100K ohms
 Voltage Monitor: 0 to +10V = 0 to max. output
 Polarity: Fixed (Positive or Negative)
 Ripple: 0.001%
 Line Regulation: 0.005%
 Load Regulation: 0.005%
 Stability: .005% / hour (30min warm up)
 Temp. Coefficient: 0.01% / °C

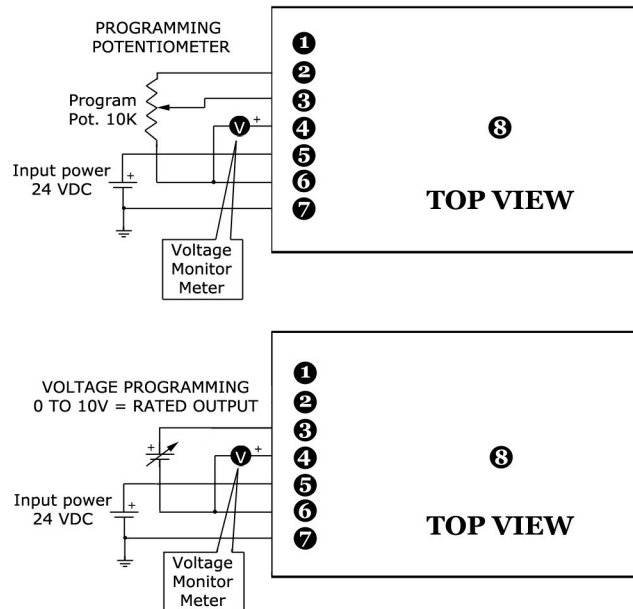
PHYSICAL CHARACTERISTICS

Dimensions: 2.75" x 2.25" x .80" (H)
 Pins: 8 (0.04" diameter)
 Case: Aluminum
 Weight: 5 oz.

PC Board Mounting



PROGRAMMING INTERFACE





Artisan Technology Group is your source for quality new and certified-used/pre-owned equipment

- FAST SHIPPING AND DELIVERY
- TENS OF THOUSANDS OF IN-STOCK ITEMS
- EQUIPMENT DEMOS
- HUNDREDS OF MANUFACTURERS SUPPORTED
- LEASING/MONTHLY RENTALS
- ITAR CERTIFIED SECURE ASSET SOLUTIONS

SERVICE CENTER REPAIRS

Experienced engineers and technicians on staff at our full-service, in-house repair center

*InstraView*SM REMOTE INSPECTION

Remotely inspect equipment before purchasing with our interactive website at www.instraview.com ↗

WE BUY USED EQUIPMENT

Sell your excess, underutilized, and idle used equipment. We also offer credit for buy-backs and trade-ins. www.artisanng.com/WeBuyEquipment ↗

LOOKING FOR MORE INFORMATION?

Visit us on the web at www.artisanng.com ↗ for more information on price quotations, drivers, technical specifications, manuals, and documentation

Contact us: (888) 88-SOURCE | sales@artisanng.com | www.artisanng.com