



## Artisan Technology Group is your source for quality new and certified-used/pre-owned equipment

- FAST SHIPPING AND DELIVERY
- TENS OF THOUSANDS OF IN-STOCK ITEMS
- EQUIPMENT DEMOS
- HUNDREDS OF MANUFACTURERS SUPPORTED
- LEASING/MONTHLY RENTALS
- ITAR CERTIFIED SECURE ASSET SOLUTIONS

### SERVICE CENTER REPAIRS

Experienced engineers and technicians on staff at our full-service, in-house repair center

### *InstraView*<sup>SM</sup> REMOTE INSPECTION

Remotely inspect equipment before purchasing with our interactive website at [www.instraview.com](http://www.instraview.com) ↗

### WE BUY USED EQUIPMENT

Sell your excess, underutilized, and idle used equipment. We also offer credit for buy-backs and trade-ins. [www.artisanng.com/WeBuyEquipment](http://www.artisanng.com/WeBuyEquipment) ↗

### LOOKING FOR MORE INFORMATION?

Visit us on the web at [www.artisanng.com](http://www.artisanng.com) ↗ for more information on price quotations, drivers, technical specifications, manuals, and documentation

**Contact us:** (888) 88-SOURCE | [sales@artisanng.com](mailto:sales@artisanng.com) | [www.artisanng.com](http://www.artisanng.com)

**ELENCO  PRECISION**

**VARIABLE REGULATED  
POWER SUPPLY**

**INSTRUCTION  
MANUAL  
XP- 580**

**ELENCO ELECTRONICS, INC.  
150 W. Carpenter Ave.  
Wheeling, IL 60090**

## INTRODUCTION

The model XP-580 is a solid state DC power supply. It contains four fully regulated power supplies. Three fixed voltage supplies are 12VDC @ 1A, 5VDC @ 3A and -5V @ .5A. A variable voltage is capable of delivering 2-18V at up to 2.5A.

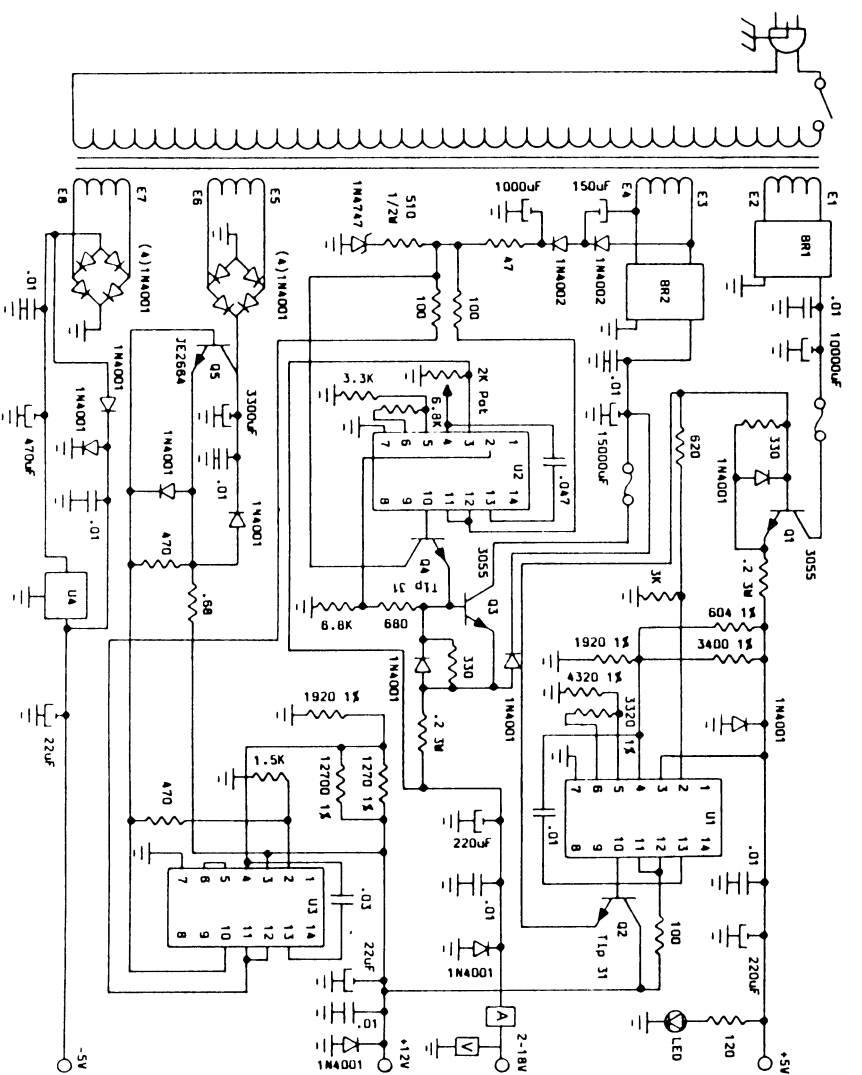
All four supplies are precisely held to the desired output voltage by a special regulating circuit. They also are protected from overload by a current foldback circuit. This circuit is designed to protect the power supply against shorts or excessive current demand. It also protects the equipment from possible damage due to high surge currents. This supply is ideal for use in school labs, service shops or anywhere a precise DC voltage is required.

## OPERATING INSTRUCTIONS

1. Check the voltage rating of the equipment to be powered. Care must be taken not to exceed this rating.
2. Plug the line cord into a 120V 60Hz AC outlet.
3. Adjust the voltage control to the desired voltage. Load variation will have practically no effect on the voltage setting due to the special regulation circuit.
4. Connect the positive lead of your equipment to the desired output terminal and the negative lead to the black terminal.

## SPECIFICATIONS

	Fixed	Fixed	Fixed	Variable
Output Voltage $\pm 10\%$	+ 5V	-5V	+ 12V	+ 2 to + 18V
Output Current	3A	.5A	1A	2.5A@15V
Output Regulation	.05V	.05V	.05V	.4V
Line Regulation	.05V	.05V	.05V	.05V
Ripple Max RMS	.005V	.005V	.005V	.005V
Short Protection	Yes	Yes	Yes	Yes





## Artisan Technology Group is your source for quality new and certified-used/pre-owned equipment

- FAST SHIPPING AND DELIVERY
- TENS OF THOUSANDS OF IN-STOCK ITEMS
- EQUIPMENT DEMOS
- HUNDREDS OF MANUFACTURERS SUPPORTED
- LEASING/MONTHLY RENTALS
- ITAR CERTIFIED SECURE ASSET SOLUTIONS

### SERVICE CENTER REPAIRS

Experienced engineers and technicians on staff at our full-service, in-house repair center

### *InstraView*<sup>SM</sup> REMOTE INSPECTION

Remotely inspect equipment before purchasing with our interactive website at [www.instraview.com](http://www.instraview.com) ↗

### WE BUY USED EQUIPMENT

Sell your excess, underutilized, and idle used equipment. We also offer credit for buy-backs and trade-ins. [www.artisanng.com/WeBuyEquipment](http://www.artisanng.com/WeBuyEquipment) ↗

### LOOKING FOR MORE INFORMATION?

Visit us on the web at [www.artisanng.com](http://www.artisanng.com) ↗ for more information on price quotations, drivers, technical specifications, manuals, and documentation

**Contact us:** (888) 88-SOURCE | [sales@artisanng.com](mailto:sales@artisanng.com) | [www.artisanng.com](http://www.artisanng.com)