



Artisan Technology Group is your source for quality new and certified-used/pre-owned equipment

- FAST SHIPPING AND DELIVERY
- TENS OF THOUSANDS OF IN-STOCK ITEMS
- EQUIPMENT DEMOS
- HUNDREDS OF MANUFACTURERS SUPPORTED
- LEASING/MONTHLY RENTALS
- ITAR CERTIFIED SECURE ASSET SOLUTIONS

SERVICE CENTER REPAIRS

Experienced engineers and technicians on staff at our full-service, in-house repair center

*InstraView*SM REMOTE INSPECTION

Remotely inspect equipment before purchasing with our interactive website at www.instraview.com ↗

WE BUY USED EQUIPMENT

Sell your excess, underutilized, and idle used equipment. We also offer credit for buy-backs and trade-ins. www.artisanng.com/WeBuyEquipment ↗

LOOKING FOR MORE INFORMATION?

Visit us on the web at www.artisanng.com ↗ for more information on price quotations, drivers, technical specifications, manuals, and documentation

Contact us: (888) 88-SOURCE | sales@artisanng.com | www.artisanng.com

Adept T2 Pendant

Software Features

When connected to SmartController-based systems, the T2 Pendant provides the following software functionality.

- Control the robot by enabling and disabling power and jogging the robot.
- Teach locations.
- Display robot position, digital I/O, system status, system identification and error messages.
- Start and stop application programs.
- Display and edit global program variables. See user's documentation for complete functionality.

Hardware Specifications

Diameter	252 mm
Height	114 mm (includes handle)
Weight	1.25 kg
Cable Length	10m standard
Display Type	LCD
Size	132 mm x 98 mm
Resolution	640 x 480 pixel
Colors	65,536
Back light	yes
Safety	1 Emergency Stop switch 2 Enabling switches (3-Position)
Operating Temperature	0 - 50°C
Relative Humidity	5 - 95%
Shock Resistance	25g / 11 ms (IEC 60068-2-27)
Ingress Protection	IP65
CE/UL complaint	

The Adept T2 Pendant provides a user interface and teach pendant in an ergonomic and rugged package. It was designed for right-handed and left-handed use. All gripping and holding positions enable comfortable and fatigue-free operation.



Safety First

- Emergency Stop switch (dual channel circuit).
- Two 3-position enable switches (dual channel circuits)



Ergonomic Design

- Enable switches on left and right side
- Multiple holding positions
- Lightweight
- Bright display with backlight and contrast adjustment

Rugged Design Holds up on the Factory Floor

The T2 Pendant is designed with a double-walled housing and with special suspension to reduce the impact of the display. Additionally, the round shape helps cushion the impact when dropped.

The T2 Pendant is tested for a 1.5 meter drop onto industrial flooring.

System Compatibility

The T2 Pendant is compatible with new systems incorporating the Adept SmartController CS and CX. The T2 is also compatible with previously installed SmartControllers with the following part numbers:

- SmartController CS 10000-310
- SmartController CX 20000-310

The part number label can be viewed on the bottom of the controller.

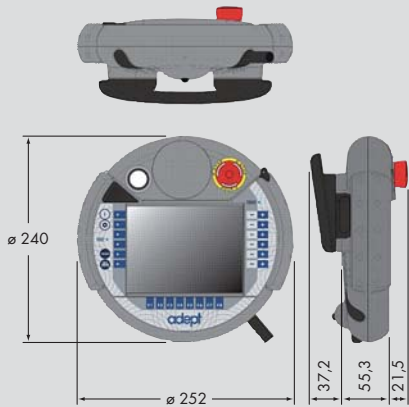
The T2 Pendant is also compatible with the Adept Cobra i600 and i800 robots. When used with these systems, the T2 Pendant has reduced functionality. Call for details.

The T2 Pendant Kit Includes

- T2 Pendant with cable attached
- Connection cable with bulkhead connector
- Bypass plug for jumpering E-Stop when pendant is removed
- User Documentation

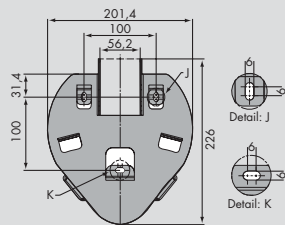
Adept T2 Pendant

Dimensions Adept T2 Pendant (mm)

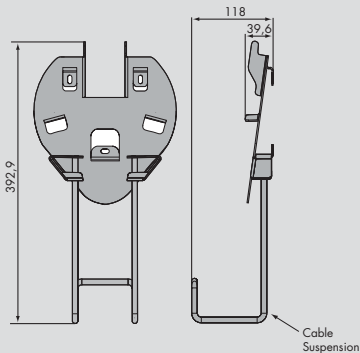


Wall Bracket Dimensions - Optional (mm)

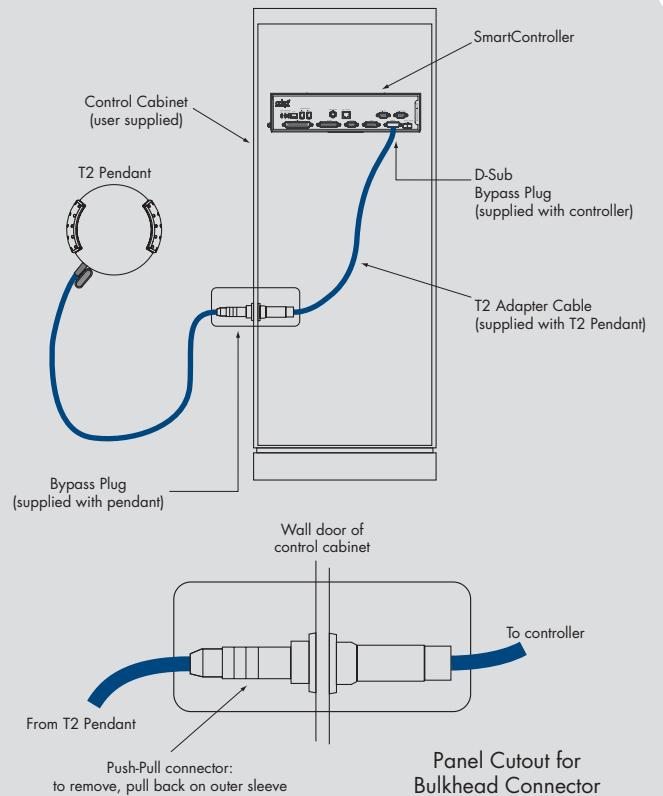
Wall Bracket, front view



Wall Bracket, rear and side view



Connection to Controller



Ordering

- T2 Pendant with 10 m cable (04965-210)

Recommended Options

- Wall bracket with cable hanger (05003-000)

For More Information

Call (763) 682-9548 or (800) 226-6385. The T2 Pendant is available by ordering part number 04965-210.



Adept Technology, Inc. 3011 Triad Drive, Livermore, CA 94551

Tel: 925-245-3400 Fax: 925-960-0452 Email: info@adept.com

www.adept.com

Specifications subject to change without notice.

©2008 Adept Technology, Inc. All rights reserved. Adept and the Adept logo are registered trademarks, and the Adept Cobra is a trademark of Adept Technology, Inc. All other trademarks are the property of their respective holders. AT2DS1008



Artisan Technology Group is your source for quality new and certified-used/pre-owned equipment

- FAST SHIPPING AND DELIVERY
- TENS OF THOUSANDS OF IN-STOCK ITEMS
- EQUIPMENT DEMOS
- HUNDREDS OF MANUFACTURERS SUPPORTED
- LEASING/MONTHLY RENTALS
- ITAR CERTIFIED SECURE ASSET SOLUTIONS

SERVICE CENTER REPAIRS

Experienced engineers and technicians on staff at our full-service, in-house repair center

*InstraView*SM REMOTE INSPECTION

Remotely inspect equipment before purchasing with our interactive website at www.instraview.com ↗

WE BUY USED EQUIPMENT

Sell your excess, underutilized, and idle used equipment. We also offer credit for buy-backs and trade-ins. www.artisanng.com/WeBuyEquipment ↗

LOOKING FOR MORE INFORMATION?

Visit us on the web at www.artisanng.com ↗ for more information on price quotations, drivers, technical specifications, manuals, and documentation

Contact us: (888) 88-SOURCE | sales@artisanng.com | www.artisanng.com