



Artisan Technology Group is your source for quality new and certified-used/pre-owned equipment

- FAST SHIPPING AND DELIVERY
- TENS OF THOUSANDS OF IN-STOCK ITEMS
- EQUIPMENT DEMOS
- HUNDREDS OF MANUFACTURERS SUPPORTED
- LEASING/MONTHLY RENTALS
- ITAR CERTIFIED SECURE ASSET SOLUTIONS

SERVICE CENTER REPAIRS

Experienced engineers and technicians on staff at our full-service, in-house repair center

*InstraView*SM REMOTE INSPECTION

Remotely inspect equipment before purchasing with our interactive website at www.instraview.com ↗

WE BUY USED EQUIPMENT

Sell your excess, underutilized, and idle used equipment. We also offer credit for buy-backs and trade-ins. www.artisanng.com/WeBuyEquipment ↗

LOOKING FOR MORE INFORMATION?

Visit us on the web at www.artisanng.com ↗ for more information on price quotations, drivers, technical specifications, manuals, and documentation

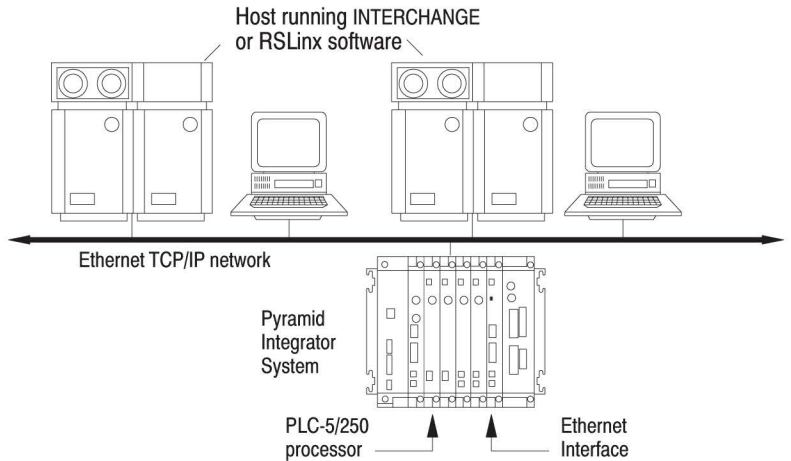
Contact us: (888) 88-SOURCE | sales@artisanng.com | www.artisanng.com

Pyramid Integrator Ethernet Interface Module

Cat. No. 5820-EI

The Pyramid Integrator Ethernet Interface module provides industry-standard Ethernet TCP/IP connections between PLC-5/250™ processors (and other modules in the PI chassis) and HP 9000, VAX/VMS, and Intel i386 and i486 personal computers that have INTERCHANGE or RSLinx software installed in them.

Host Computer:	and This Communication Product:	Are Compatible With:
UNIX Box	INTERCHANGE	Open VMS, VAX, Alpha, HP-UX, Solaris, AIX
Intel-based PC	RSLinx	Windows NT or '95



features

- supports installed base of PLC processors on the Allen-Bradley Data Highway
- reduces system integration cost
- lets customers use existing host computers
- host computers can be sized to application requirements
- implements standard SNMP (Simple Network Management Protocol)

Installing the Modules

EI Module

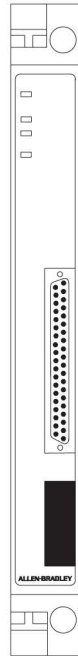
Important: If you have a RM with firmware revision A04 or earlier and you're replacing a 5730-CPU1 processor with an EI module, go to the above section "Replace a MicroVAX Information Processor."

To install the EI module, complete the following:

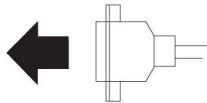
- install the EI module in the chassis
- connect Ethernet and make other connections to the module
- check jumper settings
- replace the module (if applicable)

Connect Ethernet

To connect the module to the Ethernet, follow the steps below.



1. Run the Ethernet cable to the processor as indicated in your system designer wiring diagrams.
2. Locate the connector on the EI module labeled ENET and attach the Ethernet cable to the connector.
3. Secure the connector.



18543

Important: If you're not using a powered transceiver, make sure the Ethernet connection is secure before cycling power.



ATTENTION: The Ethernet connection must be secure while the PI system is controlling equipment; otherwise, the EI module may shut down the system's power supply.

If the system power shuts down, follow these steps:

1. Make sure Ethernet connection is secure.
2. Cycle power by turning off the power from the power supply and turning it on again.

Ethernet Heartbeat

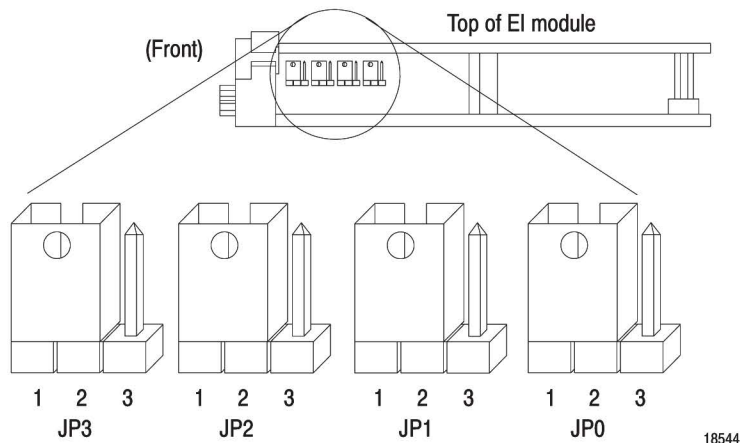
The EI module requires the IEEE 802.3 SQE (Signal Quality Error) test (also known as Ethernet heartbeat). Make sure your Ethernet transceiver is set with the SQE test enabled. For more information about the SQE test, see the documentation that came with your transceiver.



ATTENTION: Do not use a transceiver that has a disabled SQE test to connect an EI module to an Ethernet network because it could disrupt network activity.

Check Jumper Settings

The jumpers on the EI module are factory set. Make sure the jumpers are set as shown below.





Artisan Technology Group is your source for quality new and certified-used/pre-owned equipment

- FAST SHIPPING AND DELIVERY
- TENS OF THOUSANDS OF IN-STOCK ITEMS
- EQUIPMENT DEMOS
- HUNDREDS OF MANUFACTURERS SUPPORTED
- LEASING/MONTHLY RENTALS
- ITAR CERTIFIED SECURE ASSET SOLUTIONS

SERVICE CENTER REPAIRS

Experienced engineers and technicians on staff at our full-service, in-house repair center

*InstraView*SM REMOTE INSPECTION

Remotely inspect equipment before purchasing with our interactive website at www.instraview.com ↗

WE BUY USED EQUIPMENT

Sell your excess, underutilized, and idle used equipment. We also offer credit for buy-backs and trade-ins. www.artisanng.com/WeBuyEquipment ↗

LOOKING FOR MORE INFORMATION?

Visit us on the web at www.artisanng.com ↗ for more information on price quotations, drivers, technical specifications, manuals, and documentation

Contact us: (888) 88-SOURCE | sales@artisanng.com | www.artisanng.com