



## Artisan Technology Group is your source for quality new and certified-used/pre-owned equipment

- FAST SHIPPING AND DELIVERY
- TENS OF THOUSANDS OF IN-STOCK ITEMS
- EQUIPMENT DEMOS
- HUNDREDS OF MANUFACTURERS SUPPORTED
- LEASING/MONTHLY RENTALS
- ITAR CERTIFIED SECURE ASSET SOLUTIONS

### SERVICE CENTER REPAIRS

Experienced engineers and technicians on staff at our full-service, in-house repair center

### *InstraView*<sup>SM</sup> REMOTE INSPECTION

Remotely inspect equipment before purchasing with our interactive website at [www.instraview.com](http://www.instraview.com) ↗

### WE BUY USED EQUIPMENT

Sell your excess, underutilized, and idle used equipment. We also offer credit for buy-backs and trade-ins. [www.artisanng.com/WeBuyEquipment](http://www.artisanng.com/WeBuyEquipment) ↗

### LOOKING FOR MORE INFORMATION?

Visit us on the web at [www.artisanng.com](http://www.artisanng.com) ↗ for more information on price quotations, drivers, technical specifications, manuals, and documentation

**Contact us:** (888) 88-SOURCE | [sales@artisanng.com](mailto:sales@artisanng.com) | [www.artisanng.com](http://www.artisanng.com)



# Weather Frame Synchronizer / Decommutator

## Model 225W

### Features

- **Drop-in Replacement for MD 3442**
- **Built-in Test Simulator**
- **TIROS Formats**
  - **HRPT**
  - **LAC**
  - **GAC**
  - **AIP**
  - **SAIP**
  - **TIP**
  - **TIP Boost**
  - **STIP**
- **Forward / Reverse Synchronization**
  - **EtherNet Interface (Option)**
  - **DPSS Interface**

### General Description

The GDP model MD225W Weather Format Synchronizer (WFS) is a stand-alone

Frame Synchronizer/Decommutator designed to process data from the TIROS Weather Satellites. By applying a flexible programmable synchronization strategy, the unit synchronizes to the received data stream, detects a valid frame synchronizer pattern in the presence of bit errors and processes the contained information. Telemetry data is decommutated and extracted from the data stream and transmitted along with data quality information to the to other system equipment through a variety of interfaces. The unit is housed in a 5.25 inch chassis and can be controlled locally from the front panel keyboard and menu driven display, or remotely from a host computer.

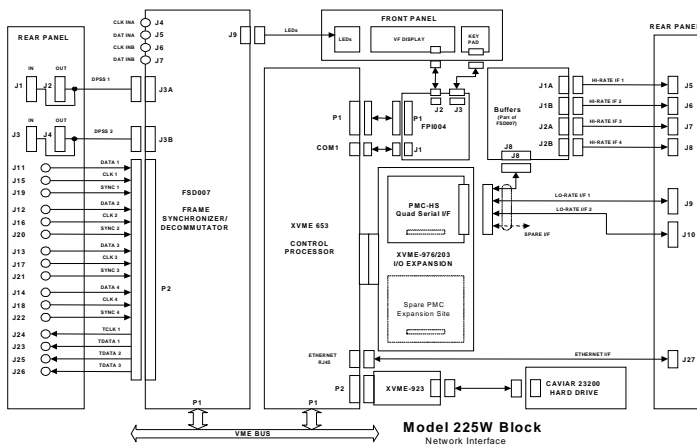


The unit also includes a built in data stream simulator.

### MD225W Weather Formats/Data Handling

The MD225W Weather Format Synchronizer (WFS) supports the data formats of both the ATN and the KLM spacecraft. These formats include HRPT (High Resolution Picture Transmission), LAC (Local Area Coverage), GAC (Global Area Coverage), AIP (AMSU Information Processor), SAIP (Stored AIP), TIP (TIROS Information Processor), TIP Boost (TIROS Information Processor-Boost), and STIP (Stored TIP) data formats. Aboard the spacecraft the TIP, HRPT, and/or the AIP data is transmitted in real-time, while the LAC, GAC, SAIP, and/

or STIP data are played back from digital tape recorders in reverse direction. The MD225W accepts all formats and synchronize to them in both the forward and the reverse direction and performs polarity resolution (APC –Automatic Polarity Control) to correct for inverted data. Specific synchronization strategies can be programmed into the unit. A data stream is processed based on the selected format. Each of the supported formats relates to a predefined process that includes definitions for routing of data to specified output ports and the determination of data quality.



300 Welsh Road · Building 3 · Horsham, PA 19044-2273  
Phone: 215-657-5242 Fax: 215-657-5273

URL: <http://www.gdp.space.com>  
E-mail: [gdpinfo@gdp.space.com](mailto:gdpinfo@gdp.space.com)



## Artisan Technology Group is your source for quality new and certified-used/pre-owned equipment

- FAST SHIPPING AND DELIVERY
- TENS OF THOUSANDS OF IN-STOCK ITEMS
- EQUIPMENT DEMOS
- HUNDREDS OF MANUFACTURERS SUPPORTED
- LEASING/MONTHLY RENTALS
- ITAR CERTIFIED SECURE ASSET SOLUTIONS

### SERVICE CENTER REPAIRS

Experienced engineers and technicians on staff at our full-service, in-house repair center

### *InstraView*<sup>SM</sup> REMOTE INSPECTION

Remotely inspect equipment before purchasing with our interactive website at [www.instraview.com](http://www.instraview.com) ↗

### WE BUY USED EQUIPMENT

Sell your excess, underutilized, and idle used equipment. We also offer credit for buy-backs and trade-ins. [www.artisanng.com/WeBuyEquipment](http://www.artisanng.com/WeBuyEquipment) ↗

### LOOKING FOR MORE INFORMATION?

Visit us on the web at [www.artisanng.com](http://www.artisanng.com) ↗ for more information on price quotations, drivers, technical specifications, manuals, and documentation

**Contact us:** (888) 88-SOURCE | [sales@artisanng.com](mailto:sales@artisanng.com) | [www.artisanng.com](http://www.artisanng.com)