



Artisan Technology Group is your source for quality new and certified-used/pre-owned equipment

- FAST SHIPPING AND DELIVERY
- TENS OF THOUSANDS OF IN-STOCK ITEMS
- EQUIPMENT DEMOS
- HUNDREDS OF MANUFACTURERS SUPPORTED
- LEASING/MONTHLY RENTALS
- ITAR CERTIFIED SECURE ASSET SOLUTIONS

SERVICE CENTER REPAIRS

Experienced engineers and technicians on staff at our full-service, in-house repair center

*InstraView*SM REMOTE INSPECTION

Remotely inspect equipment before purchasing with our interactive website at www.instraview.com ↗

WE BUY USED EQUIPMENT

Sell your excess, underutilized, and idle used equipment. We also offer credit for buy-backs and trade-ins. www.artisanng.com/WeBuyEquipment ↗

LOOKING FOR MORE INFORMATION?

Visit us on the web at www.artisanng.com ↗ for more information on price quotations, drivers, technical specifications, manuals, and documentation

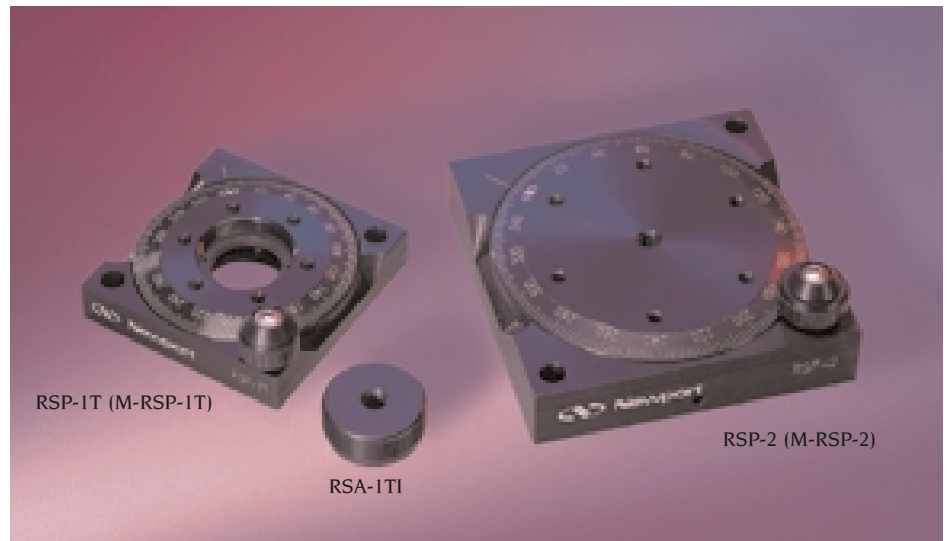
Contact us: (888) 88-SOURCE | sales@artisanng.com | www.artisanng.com

RSP Series

Rotation Stages

Key Features

- Continuous 360° rotation; lockable
- Friction drive allows coarse/fine adjustment
- Low profile accommodates oversized load
- Aperture versions accommodate 1 or 2 in. (25.4 or 50.8 mm) optics



Newport's RSP Series Stages provide smooth, continuous angular positioning for general laboratory applications. Available in two sizes, with aperture and solid-platform versions for mounting optics or components.

The knurled edge of the rotating platform and a knurled knob give convenient coarse/fine positioning control. Angular position is indicated on a 360° scale graduated in 2° increments. The platform can be

securely locked in position by a lockscrew in the adjustment knob.

These stages feature full ball races for a high load capacity for their size. Each has two counterbored clearance holes on diagonally opposite corners for direct attachment to tables, breadboards and stages. Threaded holes on one edge allow vertical mounting—especially useful for holding transmissive optics such as polarizers.

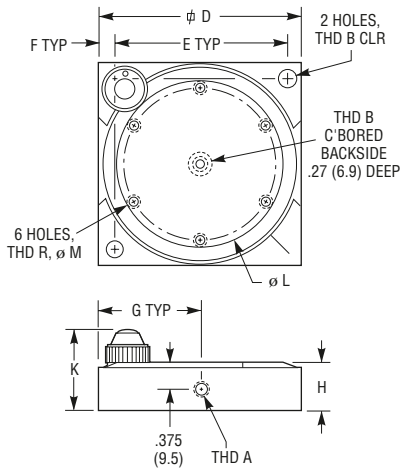
Specifications

	RSP-1 (M-RSP-1), RSP-1T (M-RSP-1T)	RSP-2 (M-RSP-2), RSP-2T
Rotation per knob turn	60°	42°
Sensitivity (arc min)	4	
Load Capacity [lb (N)]	10 (44.5)	15 (66.7)
Maximum Off-Axis Load (horiz.) [in-lb (Nm)]	35 (4)	
Maximum Drive Torque [in-lb (Nm)]	10 (1.2)	
Runout (radial and axial) [in. (μm)]	<0.001 (25)	

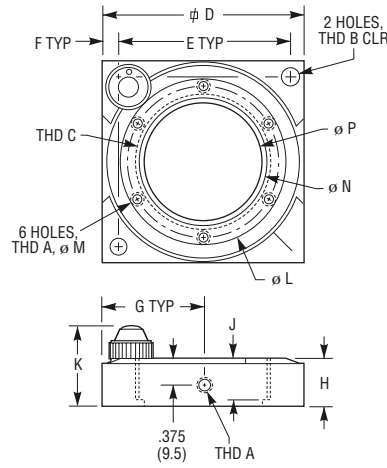
Ordering Information

Model (Metric)	Description	Price
Solid Platform Rotation Stage		
RSP-1 (M-RSP-1)	2 in. (50 mm) Platform	\$124
RSP-2 (M-RSP-2)	3 in. (75 mm) Platform	\$203
Threaded Aperture Rotation Stage		
RSP-1T (M-RSP-1T)	1 in. (25.4 mm) Aperture	\$130
RSP-2T	2 in. (50.8 mm) Aperture	\$214
RSA-1TI	Solid Insert for RSP-1T	\$10

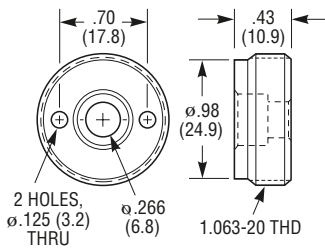
Model RSP-1, RSP-2



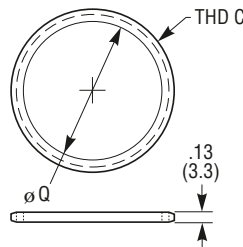
Model RSP-1T, RSP-2T



Model RSA-1TI



Retaining Ring



Model (Metric)	Thread		Dimension [in. (mm)]														Thread
	A	B	C	D	E	F	G	H	J	K	L	M	N	P	Q	R	
RSP-1 (M-RSP-1)	8-32 (M4)	1/4-20 (M6)		2.50 (63.5)	2.00 (50.0)	0.25 (6.8)	1.25 (31.7)	0.56 (14.2)	0.50 (12.7)	1.07 (27.2)	2.18 (55.4)	1.375 (34.9)					8-32 (M4)
RSP-1T (M-RSP-1T)	8-32 (M4)	1/4-20 (M6)	1.063-20	2.50 (63.5)	2.00 (50.0)	0.25 (6.8)	1.25 (31.7)	0.56 (14.2)	0.50 (12.7)	1.07 (27.2)	2.18 (55.4)	1.375 (34.9)	1.01 (25.6)	0.875 (22.2)	0.755 (19.2)		8-32 (M4)
RSP-2 (M-RSP-2)	8-32 (M4)	1/4-20 (M6)		3.50 (88.9)	3.00 (75.0)	0.25 (7.0)	1.75 (44.4)	0.81 (20.6)	0.75 (19.0)	1.30 (33.0)	2.67 (75.7)	2.250 (57.1)					8-32 (M4)
RSP-2T	8-32 (M4)	1/4-20 (M6)	2.063-20	3.50 (88.9)	3.00 (75.0)	0.25 (7.0)	1.75 (44.4)	0.81 (20.6)	0.75 (19.0)	1.30 (33.0)	2.67 (75.7)	2.250 (57.1)	2.01 (51.0)	1.75 (44.4)	1.687 (42.8)		8-32 (M4)

Related Products



Polarization Optics
page 511

See our website for CAD files.



Artisan Technology Group is your source for quality new and certified-used/pre-owned equipment

- FAST SHIPPING AND DELIVERY
- TENS OF THOUSANDS OF IN-STOCK ITEMS
- EQUIPMENT DEMOS
- HUNDREDS OF MANUFACTURERS SUPPORTED
- LEASING/MONTHLY RENTALS
- ITAR CERTIFIED SECURE ASSET SOLUTIONS

SERVICE CENTER REPAIRS

Experienced engineers and technicians on staff at our full-service, in-house repair center

*InstraView*SM REMOTE INSPECTION

Remotely inspect equipment before purchasing with our interactive website at www.instraview.com ↗

WE BUY USED EQUIPMENT

Sell your excess, underutilized, and idle used equipment. We also offer credit for buy-backs and trade-ins. www.artisanng.com/WeBuyEquipment ↗

LOOKING FOR MORE INFORMATION?

Visit us on the web at www.artisanng.com ↗ for more information on price quotations, drivers, technical specifications, manuals, and documentation

Contact us: (888) 88-SOURCE | sales@artisanng.com | www.artisanng.com