



Artisan Technology Group is your source for quality new and certified-used/pre-owned equipment

- FAST SHIPPING AND DELIVERY
- TENS OF THOUSANDS OF IN-STOCK ITEMS
- EQUIPMENT DEMOS
- HUNDREDS OF MANUFACTURERS SUPPORTED
- LEASING/MONTHLY RENTALS
- ITAR CERTIFIED SECURE ASSET SOLUTIONS

SERVICE CENTER REPAIRS

Experienced engineers and technicians on staff at our full-service, in-house repair center

*InstraView*SM REMOTE INSPECTION

Remotely inspect equipment before purchasing with our interactive website at www.instraview.com ↗

WE BUY USED EQUIPMENT

Sell your excess, underutilized, and idle used equipment. We also offer credit for buy-backs and trade-ins. www.artisanng.com/WeBuyEquipment ↗

LOOKING FOR MORE INFORMATION?

Visit us on the web at www.artisanng.com ↗ for more information on price quotations, drivers, technical specifications, manuals, and documentation

Contact us: (888) 88-SOURCE | sales@artisanng.com | www.artisanng.com

Oriel Research Arc Lamp Housings



250 W and 1000 W Oriel Research Arc Lamp Housings with the Oriel Digital Arc Lamp Power Supply.

These lamp housings aren't just aluminum enclosures for the lamp; they hold the ignitor, condensing optics, rear reflector and lamp cooling fan. We offer three families of housings to hold our line of 50 to 1600 W Hg, Xe and Hg(Xe) DC arc lamps. Simply change the socket adapter and you can interchange between lamp types and wattages, within the appropriate housing family. The socket adapter holds the lamp at the proper optical height for the rear reflector and condenser. To optimize the position and to compensate for lamp to lamp variations, we provide rear reflector and lamp adjusters.

- New asphere condensers for superior uniformity
- Large diameter, collimated output
- Built-in ignitor, condensing optics and temperature controlled cooling fan
- Rear reflector collects back radiation from lamp, increasing output by ~60%

We offer various condensing lens assemblies for these housings; they differ in usable spectral range, aperture size, output Beam, and beam quality and collection efficiency. Refer to Table 1 for a comparison.

These lamp housings include a number of safety features to prevent lamp damage and accidental exposure. A door interlock prohibits the operation of the lamp while the door is open; a temperature sensor monitors the lamp's operating temperature and controls the cooling fan accordingly.

Table 1 Comparison of Condensers

Housing Model	For Lamp Type	Condenser Type	Condenser Type	Collimated Output Diameter(SI)	Lens Multiplication Factor*	Transmittance Range of Lens Material	Size Series
66901	50 - 500 W	F/1.5, single element fused silica	F/1.5, single element fused silica	1.3 in. (33 mm)	0.06	200 - 2500 nm	1.5 inch
67001	50 - 500 W	F/2.2, fused silica asphere	F/2.2, fused silica asphere	1.3 in. (33 mm)	0.05	200 - 2500 nm	1.5 inch
67003	50 - 500 W	F/2.2, fused silica asphere	F/2.2, fused silica asphere	0.5 to 3 mm (lamp dependent)	0.05	200 - 2500 nm	1.5 inch
67005	50 - 500 W	F/1, fused silica asphere	F/1, fused silica asphere	1.3 in. (33 mm)	0.11	200 - 2500 nm	1.5 inch
67006	50 - 500 W	F/1, fused silica asphere	F/1, fused silica asphere	0.5 to 3 mm (lamp dependent)	0.11	200 - 2500 nm	1.5 inch
66903	50 - 500 W	F/0.85, Pyrex Aspheric	F/0.85, Pyrex Aspheric	1.3 in. (33 mm)	0.13	350 - 2500 nm	1.5 inch
66912	50 - 250 W	F/0.7, four element borosilicate crown Aspherab®	F/0.7, four element borosilicate crown Aspherab®	2.7 in. (69 mm)	0.18	350 - 2500 nm	3 inch
66904	50 - 500 W	F/0.7, four element silica-borosilicate crown Aspherab®	F/0.7, four element silica-borosilicate crown Aspherab®	2.7 in. (69 mm)	0.18	350 - 2500 nm	3 inch
66905	50 - 500 W	F/0.7, four element fused silica Aspherab®	F/0.7, four element fused silica Aspherab®	2.7 in. (69 mm)	0.20	200 - 2500 nm	3 inch
66921	450 - 1000 W	F/1, two element fused silica	F/1, two element fused silica	1.9 in. (48 mm)	0.13	200 - 2500 nm	2 inch
66904	50 - 500 W	F/0.7, four element silica-borosilicate crown Aspherab®	F/0.7, four element silica-borosilicate crown Aspherab®	2.7 in. (69 mm)	0.18	350 - 2500 nm	3 inch
66923	450 - 1000 W	F/0.7, four element fused silica Aspherab®	F/0.7, four element fused silica Aspherab®	2.7 in. (69 mm)	0.20	200 - 2500 nm	3 inch
66870	1600 W	F/1, two element fused silica	F/1, two element fused silica	1.9 in. (48 mm)	0.13	200 - 2500 nm	2 inch

* Does not include the rear reflector contribution of ~60%. Refer to formulae and sample calculations (see page 69) to compute the approximate total output power from your source.

Ordering Information

Oriel Research Lamp Housings

Condenser Type	Housing Model
Housings for 50 to 500 W Arc Lamps*	
F/1.5, single element fused silica	66901
F/1 two element Fused Silica	66902
F/0.85, Pyrex Aspheric	66903
F/0.7, four element borosilicate crown Aspherab®	66912**
F/0.7, four element silica-borosilicate crown Aspherab®	66904
F/0.7, four element fused silica Aspherab®	66905
No Condenser	66900***
Housings for 450 to 1000 W Arc Lamps	
F/1, two element fused silica	66921
F/0.7, four element silica-borosilicate crown Aspherab®	66922
F/0.7, four element fused silica Aspherab®	66923
No Condenser	66920***
Housings for 1600 W Arc Lamps	
F/1, two element fused silica	66870

* Please specify the appropriate cable for your choice of lamp, when ordering a 50 - 500 W Lamp Housing.

The 450 - 1600 W Housings include a set of cables to run any lamp type.

** Note, for lamps to 250 W only.

*** Note, these housings do not meet CE regulations, as there is no condenser. Extreme care should be taken when operating an arc lamp in a housing without condenser.

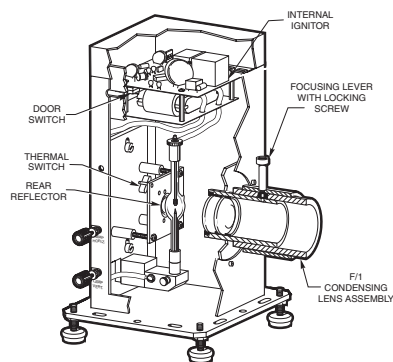


Fig. 1 250 - 500 W Oriel Research Arc Lamp Housing.

Lamps, Socket Adapters and Cables for 50 - 500 W Lamp Housings



Lamp Type	Lamp Model	Appropriate Socket Adapter Model	Appropriate Cable Model
75 W Xenon, High Stability	6247	66148	70050
75 W Xenon	6251NS	66150	70050
75 W Xe, OF	6263	66150	70050
100 W Xenon, OF	6257	66150	70050
150 W Xenon	6253	66151	70050
150 W Xenon, UV	6254	66151	70050
150 W Xenon, OF	6255	66151	70050
150 W Xenon	6256	66152	70050
300 W Xenon	6259	66160	70050
300 W Xenon, OF	6258	66160	70050
200 W Hg(Xe)	6291	66152	70050
200 W Hg(Xe), OF	6292	66152	70050
500 W Hg(Xe)	66142	66159	70050
50 W Mercury	6282	66158	70051
100 W Mercury	6281	66150	70051
200 W Mercury	6283NS	66144	70051
350 W Mercury	6286	66161	70051
500 W Mercury	6285	66162	70051

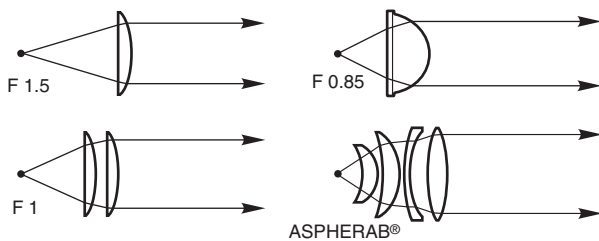


Fig. 2 Four types of condensers.

TECHNICAL REFERENCE
CALIBRATION SOURCES
DEUTERIUM SOURCES
ARC SOURCES
INCANDESCENT SOURCES
MONOCHROMATOR AND FIBER ILLUMINATORS
SOLAR SIMULATORS
PHOTOLITHOGRAPHY INSTRUMENTS
ACCESSORIES FOR ORIEL LIGHT SOURCES



Lamps and Socket Adapters for 450 - 1000 W and 1600 W Lamp Housings

Lamp Type	Lamp Model	Appropriate Socket Adapter Model
450 W Xenon	6261	6163
450 W Xenon, UV	6262	6163
450 W Xenon, OF	6266	6163
500 W Xenon, OF	6267	6165
1000 W Xenon	6269	6162
1000 W Xenon, OF	6271	6162
500 W Hg(Xe)	66142	6379
1000 W Hg(Xe)	6293	6162
1000 W Hg(Xe), OF	6295NS	6162
1000 W Mercury	6287	6171
1600 W Xe, OF	62713	6177

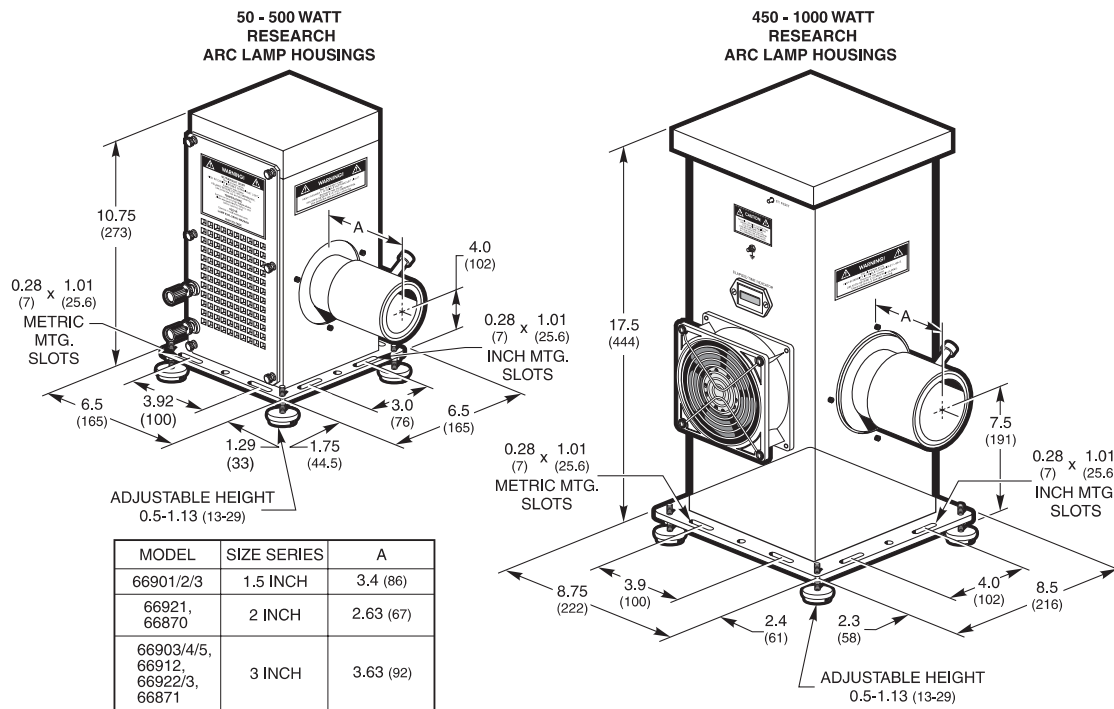


Fig. 3 Dimensional Diagram of Research Arc Lamp Housings.

WEB See our website for more info

TECHNICAL REFERENCE

CALIBRATION SOURCES

DEUTERIUM SOURCES

ARC SOURCES

INCANDESCENT SOURCES

MONOCHROMATOR AND FIBER ILLUMINATORS

SOLAR SIMULATORS

PHOTOLITHOGRAPHY INSTRUMENTS

ACCESSORIES FOR ORIEL LIGHT SOURCES



Artisan Technology Group is your source for quality new and certified-used/pre-owned equipment

- FAST SHIPPING AND DELIVERY
- TENS OF THOUSANDS OF IN-STOCK ITEMS
- EQUIPMENT DEMOS
- HUNDREDS OF MANUFACTURERS SUPPORTED
- LEASING/MONTHLY RENTALS
- ITAR CERTIFIED SECURE ASSET SOLUTIONS

SERVICE CENTER REPAIRS

Experienced engineers and technicians on staff at our full-service, in-house repair center

*InstraView*SM REMOTE INSPECTION

Remotely inspect equipment before purchasing with our interactive website at www.instraview.com ↗

WE BUY USED EQUIPMENT

Sell your excess, underutilized, and idle used equipment. We also offer credit for buy-backs and trade-ins. www.artisanng.com/WeBuyEquipment ↗

LOOKING FOR MORE INFORMATION?

Visit us on the web at www.artisanng.com ↗ for more information on price quotations, drivers, technical specifications, manuals, and documentation

Contact us: (888) 88-SOURCE | sales@artisanng.com | www.artisanng.com