



Artisan Technology Group is your source for quality new and certified-used/pre-owned equipment

- FAST SHIPPING AND DELIVERY
- TENS OF THOUSANDS OF IN-STOCK ITEMS
- EQUIPMENT DEMOS
- HUNDREDS OF MANUFACTURERS SUPPORTED
- LEASING/MONTHLY RENTALS
- ITAR CERTIFIED SECURE ASSET SOLUTIONS

SERVICE CENTER REPAIRS

Experienced engineers and technicians on staff at our full-service, in-house repair center

*InstraView*SM REMOTE INSPECTION

Remotely inspect equipment before purchasing with our interactive website at www.instraview.com ↗

WE BUY USED EQUIPMENT

Sell your excess, underutilized, and idle used equipment. We also offer credit for buy-backs and trade-ins. www.artisanng.com/WeBuyEquipment ↗

LOOKING FOR MORE INFORMATION?

Visit us on the web at www.artisanng.com ↗ for more information on price quotations, drivers, technical specifications, manuals, and documentation

Contact us: (888) 88-SOURCE | sales@artisanng.com | www.artisanng.com

- Automatically bypasses a node in fiber-optic network that has lost power
- Designed for use with the VMIVME-5576 and the VMIVME-5588
- May be manually operated with front panel switch
- May be remotely operated by control pin on P2
- MTBF: 1,399,000 hours (217F)

INTRODUCTION — This product is designed to bypass nodes in a fiber-optic network such as the VMIVME-5576 or the VMIVME-5588. It is intended to allow a network to remain functional even if one node on the network loses power. The VMIVME-5599 is designed to plug into the same VMEbus backplane in which the VMIVME-5576 or the VMIVME-5588 is installed. In the event of a power loss, the VMIVME-5599 automatically routes the incoming fiber-optic signal to the output fiber without passing through any active components. The VMIVME-5599 can bypass indefinitely without power.

OPERATING MODES — In addition to automatically bypassing on power loss, the VMIVME-5599 can be put into bypass mode by a switch on the front panel or by connecting a user-defined pin on P2 to ground. Figure 1 is a block diagram of the VMIVME-5599.

FUNCTIONAL CHARACTERISTICS

Configuration: Full reversing bypass (2 x 2)

Switch Speed: 5 ms typical (10 ms maximum)

Operating Wavelength: 750 to 1,400 nm

Insertion Loss:

Bypass Mode (Power OFF): 3.1 dB worst
2.3 dB typical

Normal Mode (Power ON):

2.1 dB to receiver worst-case
2.1 dB from transmitter worst-case
1.4 dB to receiver typical
1.4 dB from transmitter typical

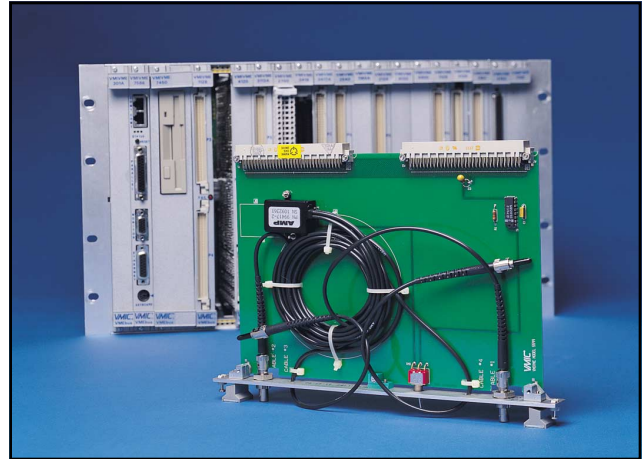
Crosstalk: -55 dB maximum at open port

Life: 1,000,000 cycles minimum

Dimensions: Standard VME double height board 160 mm x 233.5 mm

Temperature: 0 to 55 °C, operating
-40 to +85 °C, storage

Relative Humidity: 20 to 80 percent, noncondensing



Cooling: Convection

Power Requirements: +5 VDC (±5 percent) at 0.1 A maximum

Front Panel Connectors: 2.5 mm, ST

Insertion losses will affect maximum fiber-optic cable length. The maximum allowable attenuation between nodes, attenuation in the cable, the attenuation in the connectors, and the VMIVME-5599 insertion loss must all be considered.

TRADEMARKS

The VMIC logo is a registered trademark of VMIC. Other registered trademarks are the property of their respective owners.

Ordering Options							
Jan. 14, 1998 800-005599-000 E	A	B	C	-	D	E	F
VMIVME-5599	-	0	0	0	-		
ABC = 000 (Options reserved for future use)							
For Ordering Information, Call: 1-800-322-3616 or 1-256-880-0444 • FAX (256) 882-0859 E-mail: info@vmic.com Web Address: www.vmic.com Copyright © January 1992 by VMIC Specifications subject to change without notice.							

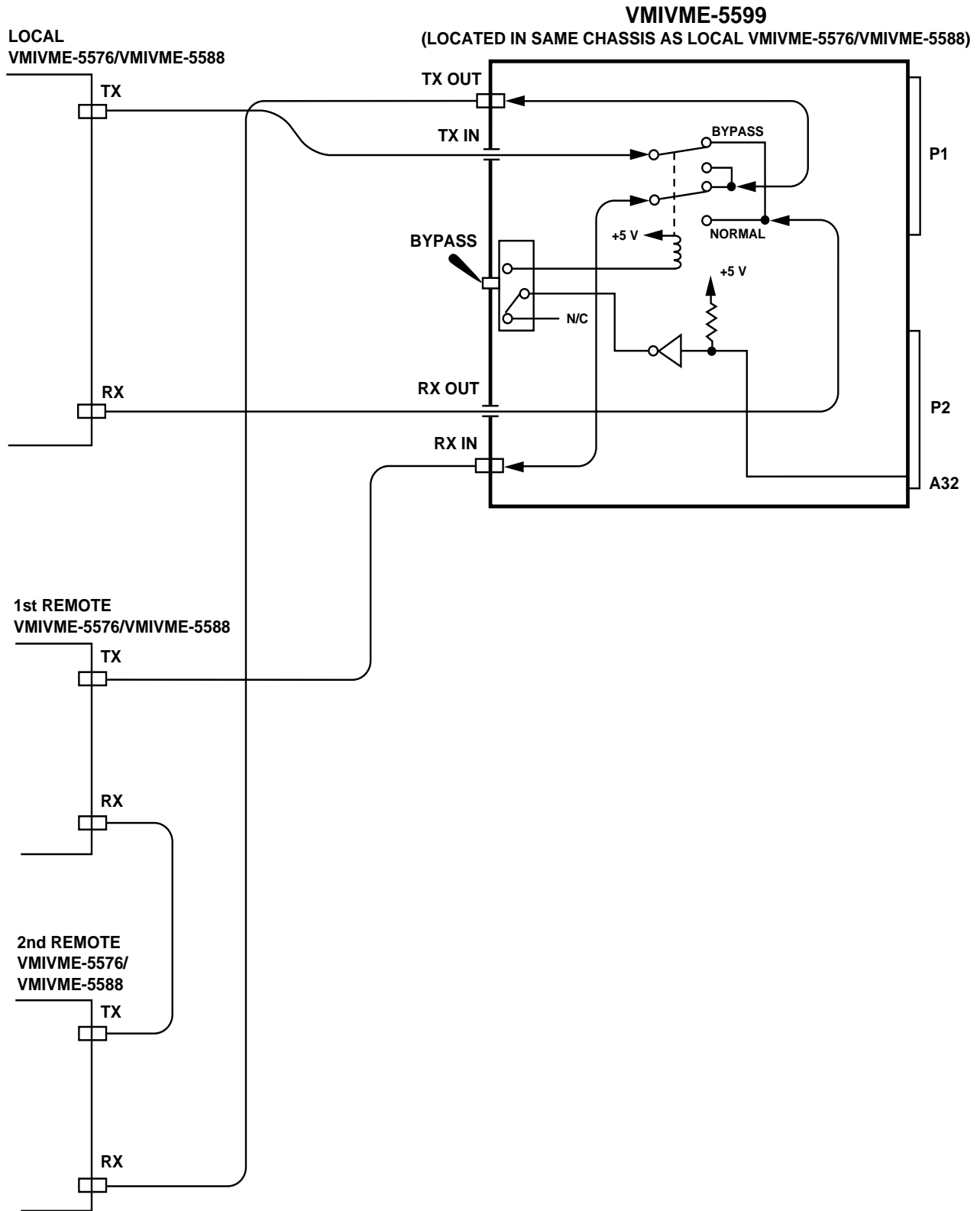


Figure 1. Functional Block Diagram of a VMIVME-5599 in a Three-Node System



Artisan Technology Group is your source for quality new and certified-used/pre-owned equipment

- FAST SHIPPING AND DELIVERY
- TENS OF THOUSANDS OF IN-STOCK ITEMS
- EQUIPMENT DEMOS
- HUNDREDS OF MANUFACTURERS SUPPORTED
- LEASING/MONTHLY RENTALS
- ITAR CERTIFIED SECURE ASSET SOLUTIONS

SERVICE CENTER REPAIRS

Experienced engineers and technicians on staff at our full-service, in-house repair center

*InstraView*SM REMOTE INSPECTION

Remotely inspect equipment before purchasing with our interactive website at www.instraview.com ↗

WE BUY USED EQUIPMENT

Sell your excess, underutilized, and idle used equipment. We also offer credit for buy-backs and trade-ins. www.artisanng.com/WeBuyEquipment ↗

LOOKING FOR MORE INFORMATION?

Visit us on the web at www.artisanng.com ↗ for more information on price quotations, drivers, technical specifications, manuals, and documentation

Contact us: (888) 88-SOURCE | sales@artisanng.com | www.artisanng.com