



## Artisan Technology Group is your source for quality new and certified-used/pre-owned equipment

- FAST SHIPPING AND DELIVERY
- TENS OF THOUSANDS OF IN-STOCK ITEMS
- EQUIPMENT DEMOS
- HUNDREDS OF MANUFACTURERS SUPPORTED
- LEASING/MONTHLY RENTALS
- ITAR CERTIFIED SECURE ASSET SOLUTIONS

### SERVICE CENTER REPAIRS

Experienced engineers and technicians on staff at our full-service, in-house repair center

### *InstraView*<sup>SM</sup> REMOTE INSPECTION

Remotely inspect equipment before purchasing with our interactive website at [www.instraview.com](http://www.instraview.com) ↗

### WE BUY USED EQUIPMENT

Sell your excess, underutilized, and idle used equipment. We also offer credit for buy-backs and trade-ins. [www.artisanng.com/WeBuyEquipment](http://www.artisanng.com/WeBuyEquipment) ↗

### LOOKING FOR MORE INFORMATION?

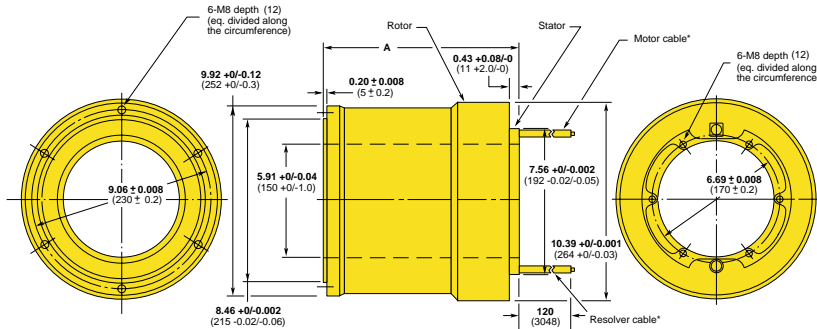
Visit us on the web at [www.artisanng.com](http://www.artisanng.com) ↗ for more information on price quotations, drivers, technical specifications, manuals, and documentation

**Contact us:** (888) 88-SOURCE | [sales@artisanng.com](mailto:sales@artisanng.com) | [www.artisanng.com](http://www.artisanng.com)

# DR Series Dimensional Drawings

## DR-A Series

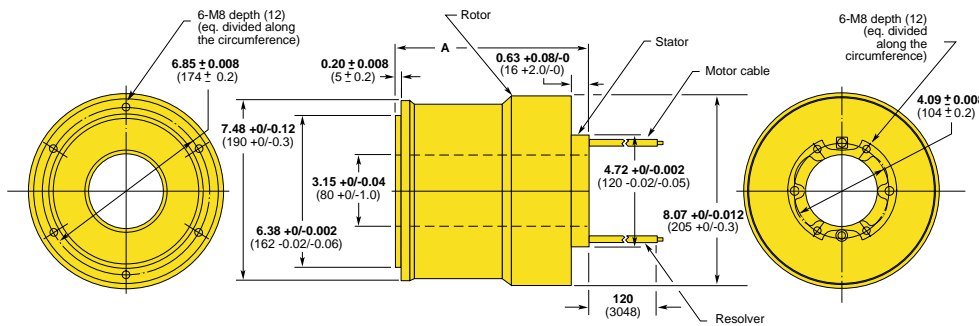
Dimensions in inches (mm)



Model	A
DR1100A	7.28 ± 0.04 (185 ± 1)
DR1200A	9.84 ± 0.04 (250 ± 1)
DR1300A	11.97 ± 0.04 (304 ± 1)
DR1400A	14.09 ± 0.04 (358 ± 1)

## DR-E Series

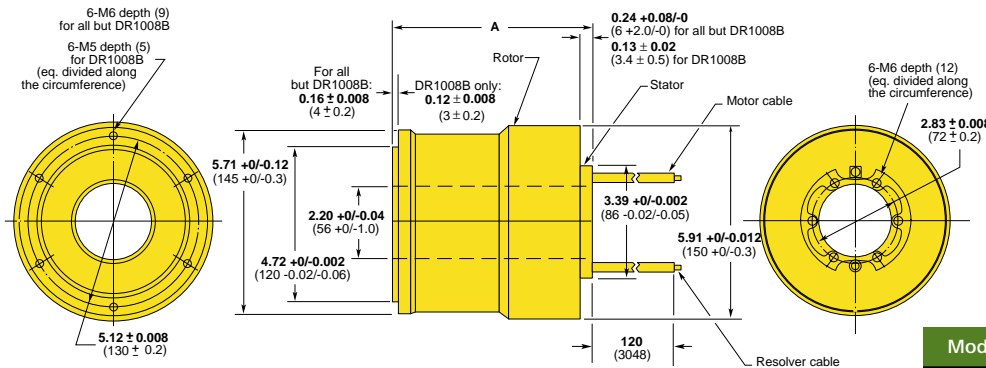
Dimensions in inches (mm)



Model	A
DR1070E	7.20 ± 0.04 (183 ± 1)
DR1100E	8.27 ± 0.04 (210 ± 1)
DR1130E	9.57 ± 0.04 (243 ± 1)
DR1160E	10.67 ± 0.04 (271 ± 1)

## DR-B Series

Dimensions in inches (mm)



Model	A
DR1008B	3.35 ± 0.04 (85 ± 1)
DR1015B	4.84 ± 0.04 (123 ± 1)
DR1030B	5.94 ± 0.04 (151 ± 1)
DR1045B	7.05 ± 0.04 (179 ± 1)
DR1060B	8.15 ± 0.04 (207 ± 1)

**Integrate Direct Drive Servo Systems Into Your Next Application. Call 1-800-358-9070 Today.**



## Artisan Technology Group is your source for quality new and certified-used/pre-owned equipment

- FAST SHIPPING AND DELIVERY
- TENS OF THOUSANDS OF IN-STOCK ITEMS
- EQUIPMENT DEMOS
- HUNDREDS OF MANUFACTURERS SUPPORTED
- LEASING/MONTHLY RENTALS
- ITAR CERTIFIED SECURE ASSET SOLUTIONS

### SERVICE CENTER REPAIRS

Experienced engineers and technicians on staff at our full-service, in-house repair center

### *InstraView*<sup>SM</sup> REMOTE INSPECTION

Remotely inspect equipment before purchasing with our interactive website at [www.instraview.com](http://www.instraview.com) ↗

### WE BUY USED EQUIPMENT

Sell your excess, underutilized, and idle used equipment. We also offer credit for buy-backs and trade-ins. [www.artisanng.com/WeBuyEquipment](http://www.artisanng.com/WeBuyEquipment) ↗

### LOOKING FOR MORE INFORMATION?

Visit us on the web at [www.artisanng.com](http://www.artisanng.com) ↗ for more information on price quotations, drivers, technical specifications, manuals, and documentation

**Contact us:** (888) 88-SOURCE | [sales@artisanng.com](mailto:sales@artisanng.com) | [www.artisanng.com](http://www.artisanng.com)