



## Artisan Technology Group is your source for quality new and certified-used/pre-owned equipment

- FAST SHIPPING AND DELIVERY
- TENS OF THOUSANDS OF IN-STOCK ITEMS
- EQUIPMENT DEMOS
- HUNDREDS OF MANUFACTURERS SUPPORTED
- LEASING/MONTHLY RENTALS
- ITAR CERTIFIED SECURE ASSET SOLUTIONS

### SERVICE CENTER REPAIRS

Experienced engineers and technicians on staff at our full-service, in-house repair center

### *InstraView*<sup>SM</sup> REMOTE INSPECTION

Remotely inspect equipment before purchasing with our interactive website at [www.instraview.com](http://www.instraview.com) ↗

### WE BUY USED EQUIPMENT

Sell your excess, underutilized, and idle used equipment. We also offer credit for buy-backs and trade-ins. [www.artisanng.com/WeBuyEquipment](http://www.artisanng.com/WeBuyEquipment) ↗

### LOOKING FOR MORE INFORMATION?

Visit us on the web at [www.artisanng.com](http://www.artisanng.com) ↗ for more information on price quotations, drivers, technical specifications, manuals, and documentation

**Contact us:** (888) 88-SOURCE | [sales@artisanng.com](mailto:sales@artisanng.com) | [www.artisanng.com](http://www.artisanng.com)

# CPCI-350Q-DC-38

400 WATTS - 90Amps Combined Output Current on +5V & +3.3V



## FEATURES:

- 400 Watts in 6U x 8HP (two slots) x 160mm
- Wide Range DC Input
- Standard PCI Voltages 5V, 3.3V,  $\pm 12V$   
+5/50A, +3.3/40A, +12V/12A, -12V/4A
- N+1 Redundant with Internal Oring Diodes
- Zero Wire Current Sharing on +5V, +3.3V and +12V Outputs
- IEEE 1101.10 Compliant Front Panel with EMI Gasket, Guide Pins, Injector/  
Extractor Handles and Keying
- PICMG CompactPCI® Existing Practice Compliant "APPENDIX B"
- Ruggedized Mechanical Design
- Two Year Warranty
- Greater than 500,000 Hrs MTBF in Redundancy

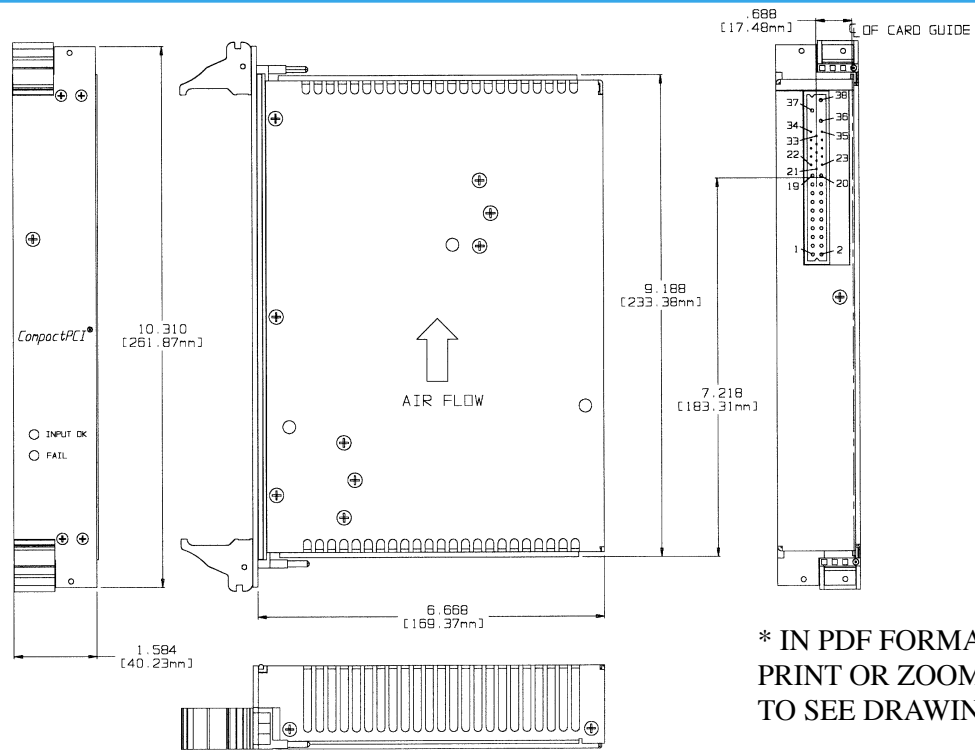


3601 VETERANS HIGHWAY  
RONKONKOMA, NEW YORK 11779  
TEL (631) 981-7231 FAX (631) 981-7266

VISIT US ON THE WEB:  
<http://www.switchpwr.com>

# CPCI-350Q-DC-38

POSITRONIC P/N: PCIH38M400A1			
PIN #	SIGNAL	PIN #	SIGNAL
1	+5V	20	RSVD
2	+5V	21	+12V
3	+5V	22	GND
4	+5V	23	GND
5	GND	24	+5V SENSE
6	GND	25	EN#
7	GND	26	-SENSE RTN
8	GND	27	+3.3V SENSE
9	GND	28	RSVD
10	GND	29	DEG#
11	GND	30	+12V SENSE
12	GND	31	INH#
13	+3.3V	32	N/C
14	+3.3V	33	N/C
15	+3.3V	34	N/C
16	+3.3V	35	FAIL#
17	GND	36	CGND
18	+12V	37	+DC IN
19	RSVD	38	-DC IN



<b>Nominal Input Voltage</b>	-48 VDC, 14A max.	<b>Paralleling</b>	Two or more supplies can be operated in parallel and will share 5V/3.3V/12V current to within 10% of each other.
<b>Operational Input Voltage Range</b>	-36 to -75 VDC Transients to 140V for 2sec.	<b>Redundant</b>	Full power N+1 redundant with integral Oring Diodes.
<b>Inrush Current</b>	Less than 5 msec. 80 amperes @ 48 VDC	<b>Remote Sense</b>	Compensates for up to 0.5V total distribution voltage drop on the +5V, +3.3V and +12V outputs.
<b>Fusing</b>	25 Ampere, 125 VDC, Internal ceramic body fuse.	<b>INH#</b>	Open to Run, Contact closure to return , turns off all outputs.
<b>Hold up time</b>	5msec minimum after loss of DC Input at full load and any input	<b>DEG#</b>	Normal logic '1' TTL signal which goes low 10°C before over temperature shutdown.
<b>Efficiency</b>	70% typical	<b>FAIL# Signal</b>	Normal logic '1' TTL signal which goes low whenever any of the four outputs fail, an overtemperature condition, an over voltage shut down.
<b>Turn on time</b>	1 sec max. from power up. All output voltages come up within 10msec of each other.	<b>Indicators</b>	Green LED indicating Input OK, Red LED indicating a power supply fault.
<b>Line and Load Regulation</b>	±2% over DC input range and 0 to 100% load change.	<b>Cooling</b>	400 Lfpm forced air required through power supply.
<b>Minimum Load</b>	10% on +5V to provide full load regulation on V2 - V4 outputs.	<b>Operating Temperature</b>	-20°C to 50°C operating temperature with specified air flow.
<b>Ripple &amp; Noise</b>	Through 20MHz 1% max. or 100mv whichever is greater for all outputs, peak to peak, with coaxial probe and 0.1uF/100uF capacitors at the connector.	<b>Stability</b>	All outputs 0.1% for 8 hrs. after 30 minute warm-up.
<b>Transient Response</b>	Output maximum excursion of ± 5% for 50% load step. Recovery less than 500 µsec.	<b>Humidity</b>	Up to 95% non-condensing.
<b>Overshoot/Undershoot</b>	No turn-on or turn-off overshoot.	<b>Storage Temperature</b>	-40°C to 85°C.
<b>Output Isolation</b>	Isolated from chassis ground, 50Vdc.	<b>Connector</b>	Positronics Part No. PCIH38M400A1
<b>Input/Output Isolation</b>	1500 VDC from input to both chassis/outputs. SELV construction.	<b>Size</b>	6U x 8HP x 160mm <b>Weight:</b> 4 lbs.
<b>Reverse Voltage</b>	Protected against reverse voltage to supply current rating.	<b>EMC</b>	Meets EN55022 Level A / FCC Class A conducted.
<b>Overvoltage Protection</b>	Shutdown at 130% of nominal Vout (V1 & V2). V3/V4 failsafe design. Recycle input power to reset.	<b>Safety</b>	UL 1950, CSA C22.2 No. 950, EN60950.
<b>Overtemperature Protection</b>	Unit shuts down if overheated. Recycle DC to reset.		
<b>Current Limiting</b>	All outputs short circuit protected with foldback protection. Automatic recovery upon removal of the short.		

REV: E



## Artisan Technology Group is your source for quality new and certified-used/pre-owned equipment

- FAST SHIPPING AND DELIVERY
- TENS OF THOUSANDS OF IN-STOCK ITEMS
- EQUIPMENT DEMOS
- HUNDREDS OF MANUFACTURERS SUPPORTED
- LEASING/MONTHLY RENTALS
- ITAR CERTIFIED SECURE ASSET SOLUTIONS

### SERVICE CENTER REPAIRS

Experienced engineers and technicians on staff at our full-service, in-house repair center

### *InstraView*<sup>SM</sup> REMOTE INSPECTION

Remotely inspect equipment before purchasing with our interactive website at [www.instraview.com](http://www.instraview.com) ↗

### WE BUY USED EQUIPMENT

Sell your excess, underutilized, and idle used equipment. We also offer credit for buy-backs and trade-ins. [www.artisanng.com/WeBuyEquipment](http://www.artisanng.com/WeBuyEquipment) ↗

### LOOKING FOR MORE INFORMATION?

Visit us on the web at [www.artisanng.com](http://www.artisanng.com) ↗ for more information on price quotations, drivers, technical specifications, manuals, and documentation

**Contact us:** (888) 88-SOURCE | [sales@artisanng.com](mailto:sales@artisanng.com) | [www.artisanng.com](http://www.artisanng.com)