



Artisan Technology Group is your source for quality new and certified-used/pre-owned equipment

- FAST SHIPPING AND DELIVERY
- TENS OF THOUSANDS OF IN-STOCK ITEMS
- EQUIPMENT DEMOS
- HUNDREDS OF MANUFACTURERS SUPPORTED
- LEASING/MONTHLY RENTALS
- ITAR CERTIFIED SECURE ASSET SOLUTIONS

SERVICE CENTER REPAIRS

Experienced engineers and technicians on staff at our full-service, in-house repair center

*InstraView*SM REMOTE INSPECTION

Remotely inspect equipment before purchasing with our interactive website at www.instraview.com ↗

WE BUY USED EQUIPMENT

Sell your excess, underutilized, and idle used equipment. We also offer credit for buy-backs and trade-ins. www.artisanng.com/WeBuyEquipment ↗

LOOKING FOR MORE INFORMATION?

Visit us on the web at www.artisanng.com ↗ for more information on price quotations, drivers, technical specifications, manuals, and documentation

Contact us: (888) 88-SOURCE | sales@artisanng.com | www.artisanng.com

Summary

The new VME-4SIP Module provides a 6U high performance flexible I/O scheme, that supports industry standard Industry Packs. Choose from over a 100 different Industry Packs from Alphi Tech and others. For application requiring low cost, high density I/O or unique combinations, the VME-4SIP is the perfect solution. A total of 200 discrete I/O lines are available.

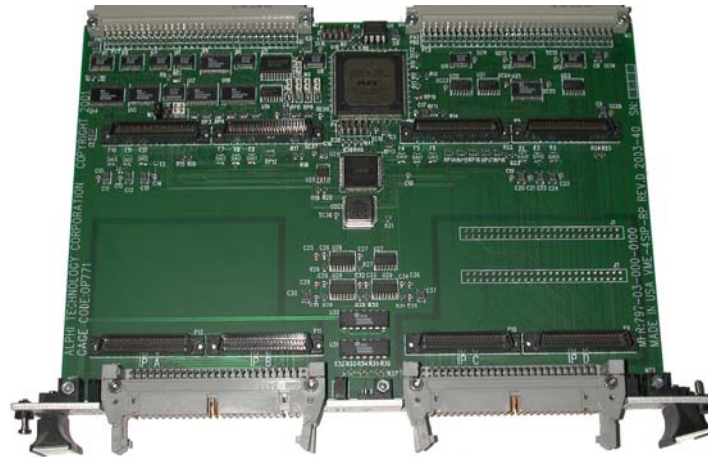
For a complete list of Industry Packs offered by Alphi Technology please visit our WEB site at www.alphitech.com

Available Drivers :

- Labview
- Linux
- Window XP



6U VME MODULE 4 INDUSTRY PACK CARRIER



VME-4SIP

VME Features:

A32/24/16 D16/8
6U 233 X 160mm

VME INTERFACE:

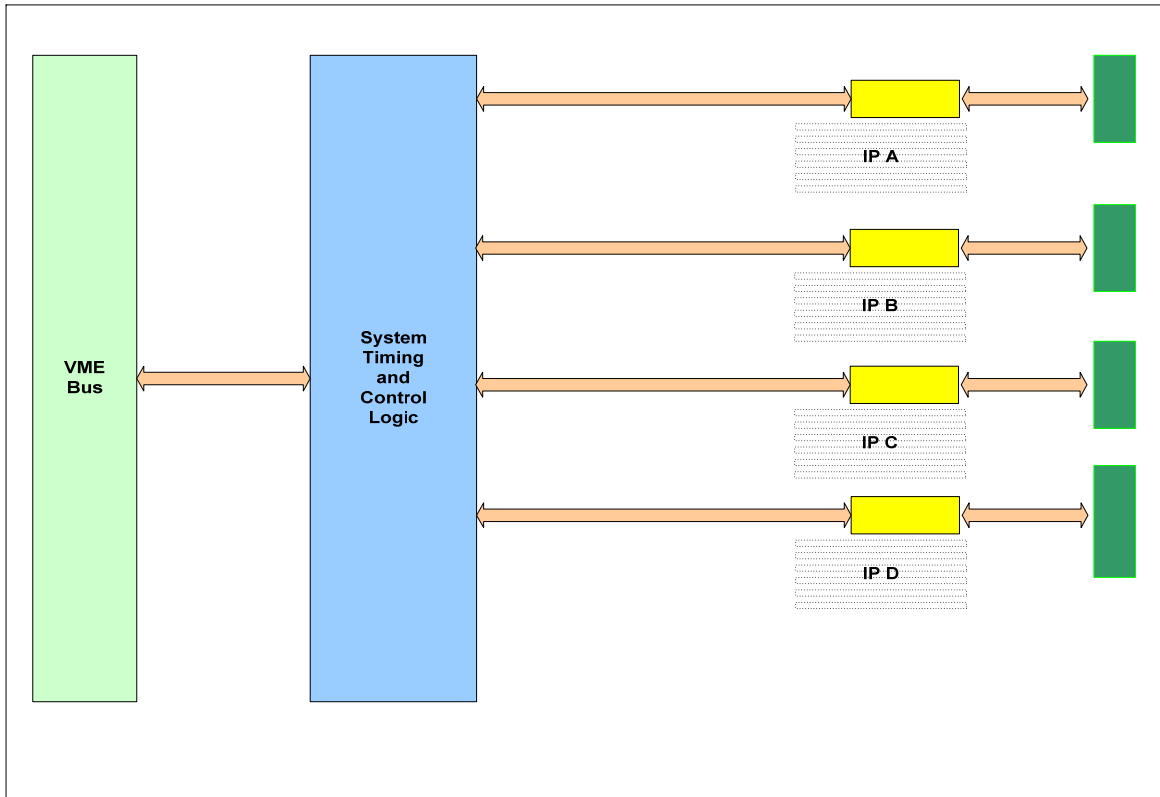
A32/A24/A16 :D16/D08(E0)
R/M/W Cycle
Interrupt : 1-7 software programmable

I/O panel connectors:

Front Panel I/O connectors
(4) X 50 IDE Connector

Industry Pack Specifications:

4 Industry Pack Sites
Supports single /dual widths
Meets ANSI Vita 4
8/32 MHz operation
Support ID, I/O, Int. & mem spaces
2 Interrupts
Supports 1 & 8MB addressing
Hardware self timed per IP module
Triggered via system reset and software control
Jumper or software time-out function
5, +/-12 volt reset-able fuse per IP
8/16 bit data
Support Single or Double Size IP Module



Functional Block Diagram

Mechanical & Environmental

- Operating temp. 0 to +55 °C
- Airflow requirement: 10 CFM
- Humidity: 5 to 90% (non-cond.)
- Altitude: 0 to 10'000 ft
- Full size PCI card
- Front panel I/O
- Power: +5v 1 amp, +12v 1 amp
- Vib.: 0.5G RMS 20-2KHz rand
- Shock: 20 G, 11 ms, ½ sine
- Weight: 1 lbs
- MTBF: >172000 hour

Ordering Information

VME-4SIP	6U VME (4) Industry Packs Carrier
CBL-50-HDR	50 pin Header cable
TB-50-HDR	Terminal Block

Alphi Technology Corporation
 6202 South Maple Ave, Suite 120
 Tempe, Arizona 85283, USA
 Tel: (480) 838 2428
 Fax: (480) 838 4477

For ordering information: sales@alphitech.com Please visit our web site at www.alphitech.com

Products mentioned are trademarks or registered trademarks of their respective holders. Alphi Technology believes this information is accurate as of its publication date and is not responsible for any inadvertent errors. The information contained herein is subject to change without notice. Copyright © 2005 Alphi Technology Corp. document number: 718-0-001-4100 rev.p



Artisan Technology Group is your source for quality new and certified-used/pre-owned equipment

- FAST SHIPPING AND DELIVERY
- TENS OF THOUSANDS OF IN-STOCK ITEMS
- EQUIPMENT DEMOS
- HUNDREDS OF MANUFACTURERS SUPPORTED
- LEASING/MONTHLY RENTALS
- ITAR CERTIFIED SECURE ASSET SOLUTIONS

SERVICE CENTER REPAIRS

Experienced engineers and technicians on staff at our full-service, in-house repair center

*InstraView*SM REMOTE INSPECTION

Remotely inspect equipment before purchasing with our interactive website at www.instraview.com ↗

WE BUY USED EQUIPMENT

Sell your excess, underutilized, and idle used equipment. We also offer credit for buy-backs and trade-ins. www.artisanng.com/WeBuyEquipment ↗

LOOKING FOR MORE INFORMATION?

Visit us on the web at www.artisanng.com ↗ for more information on price quotations, drivers, technical specifications, manuals, and documentation

Contact us: (888) 88-SOURCE | sales@artisanng.com | www.artisanng.com