



Artisan Technology Group is your source for quality new and certified-used/pre-owned equipment

- FAST SHIPPING AND DELIVERY
- TENS OF THOUSANDS OF IN-STOCK ITEMS
- EQUIPMENT DEMOS
- HUNDREDS OF MANUFACTURERS SUPPORTED
- LEASING/MONTHLY RENTALS
- ITAR CERTIFIED SECURE ASSET SOLUTIONS

SERVICE CENTER REPAIRS

Experienced engineers and technicians on staff at our full-service, in-house repair center

*InstraView*SM REMOTE INSPECTION

Remotely inspect equipment before purchasing with our interactive website at www.instraview.com ↗

WE BUY USED EQUIPMENT

Sell your excess, underutilized, and idle used equipment. We also offer credit for buy-backs and trade-ins. www.artisanng.com/WeBuyEquipment ↗

LOOKING FOR MORE INFORMATION?

Visit us on the web at www.artisanng.com ↗ for more information on price quotations, drivers, technical specifications, manuals, and documentation

Contact us: (888) 88-SOURCE | sales@artisanng.com | www.artisanng.com

SHARCPAC-DSP8

Octal ADSP-2106x SHARCPAC Module

The SHARCPAC-DSP8 module with its eight 120 MFLOP ADSP-2106x SHARC® DSP processors on a single 3.1" x 4.5" SHARCPAC module is the ultimate SHARC-system enhancement module. The SHARCPAC-DSP8 is intended for use on parallel SHARC where the data and code can be partitioned to fit in the internal memory of each SHARC and processor density is of the highest priority. The modular format of the SHARCPAC-DSP8 allows it to be used for system expansion on any system form-factor.

Sixteen of the 8 SHARC processor's six high-speed link ports are brought out to the SHARCPAC connectors for integration with SHARC processors on the motherboard, or other SHARCPAC module sites, in a manner consistent with a distributed memory architecture. The SHARCPAC-DSP8 also brings flag, IRQ, and JTAG signals to the SHARCPAC connectors to further facilitate system integration. The module is designed to be link booted.

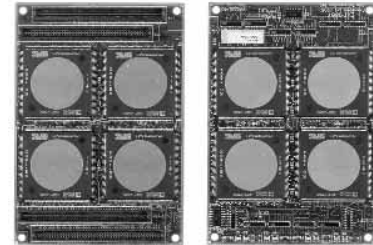
The internal link port topology of the SHARCPAC-DSP8 is that of two 4-SHARC layers. Within each layer each processor has a direct link connection to every other, as well as a single connection the processor just opposite in the other layer. Arranging the link ports in this way allows users to integrate multiple SHARCPAC-DSP8s and multiple SHARCPAC motherboards to create a convenient mesh-like system topology. Systems of this kind can be

scaled to any size while still retaining their homogeneous network structure and thus provide an excellent platform for scaleable data-parallel applications like image processing. The SHARCPAC-DSP8 can also be integrated into other SHARCPAC based systems to add pure processing power.

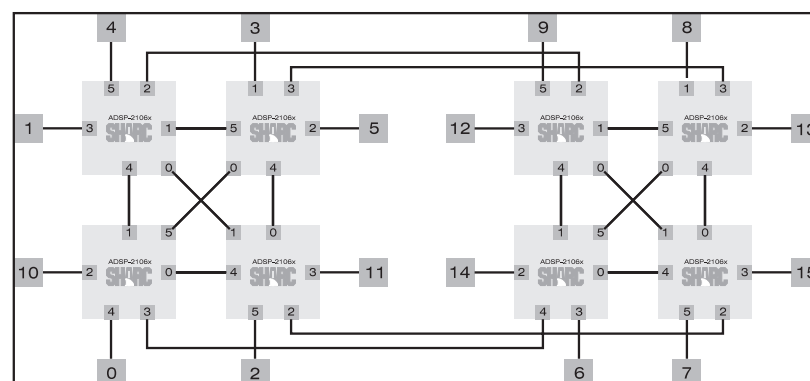
All SHARCPAC modules are supported by a range of SHARCPAC motherboards allowing their integration into a variety of environments. Adopting the SHARCPAC module standard enables users to easily construct flexible, high-performance, commercial-off-the-shelf DSP systems, which can scale simply by adding additional modules and motherboards. This approach reduces the product design cycle and development costs, resulting in a far quicker time to market.

The complete line of hardware products is supported by the APEX software tools family (APEX-Lite, APEX-Pro, and APEX-Debug), providing advanced software support for distributed application development, debugging, and optimization. Spectrum hardware products are also fully compatible with the Analog Devices development tools, and a number of other third-party products.

The SHARCPAC-DSP8 is one product in the constantly evolving SHARC portfolio.



- ▶ Scaleable, multiprocessor SHARC-based architecture
- ▶ Industry-standard SHARCPAC form-factor
- ▶ Eight ADSP-2106x SHARC processors
- ▶ 960 MFLOPS aggregate core performance
- ▶ System expansion via sixteen SHARC link ports
- ▶ Advanced software support from the APEX parallel development toolsets
- ▶ Fully compatible with Analog Devices software development tools
- ▶ Part of a comprehensive SHARCPAC product range



▶ SHARC®-Based DSP Solutions

SHARCPAC-DSP8

Octal ADSP-2106x SHARCPAC Module

Technical Specifications

Module Format

Industry-standard SHARCPAC form-factor (4.5" by 3.1").

Module Interface

Sixteen 40MBytes/s SHARC link ports.
Flag and IRQ signals.
JTAG signals.

SHARC Processor

Eight ADSP-21060 or ADSP-21062 SHARC processors.
120MFLOP, 40MIPs Floating-Point DSP running at 40MHz.
240MBytes/s external memory bandwidth.
240MBytes/s link port bandwidth.
10 independent DMA controllers.

SHARC Internal Memory

ADSP-21060: 4MB 0ws, dual-ported SRAM.
ADSP-21062: 2MB 0ws, dual-ported SRAM.

SHARC External Memory

None.

SHARC Link Ports

Sixteen high-speed link ports exported over module interface.
Each link can operate independently and simultaneously.

Connectors

Industry-standard SHARCPAC connectors.

Software

Supported by APEX software development suite.

Power Requirements

Requires +5V supply only.

Operating Environment

0°C to 50°C.

Note

Special cooling or power arrangements may be necessary.



Artisan Technology Group is your source for quality new and certified-used/pre-owned equipment

- FAST SHIPPING AND DELIVERY
- TENS OF THOUSANDS OF IN-STOCK ITEMS
- EQUIPMENT DEMOS
- HUNDREDS OF MANUFACTURERS SUPPORTED
- LEASING/MONTHLY RENTALS
- ITAR CERTIFIED SECURE ASSET SOLUTIONS

SERVICE CENTER REPAIRS

Experienced engineers and technicians on staff at our full-service, in-house repair center

*InstraView*SM REMOTE INSPECTION

Remotely inspect equipment before purchasing with our interactive website at www.instraview.com ↗

WE BUY USED EQUIPMENT

Sell your excess, underutilized, and idle used equipment. We also offer credit for buy-backs and trade-ins. www.artisanng.com/WeBuyEquipment ↗

LOOKING FOR MORE INFORMATION?

Visit us on the web at www.artisanng.com ↗ for more information on price quotations, drivers, technical specifications, manuals, and documentation

Contact us: (888) 88-SOURCE | sales@artisanng.com | www.artisanng.com