



## Artisan Technology Group is your source for quality new and certified-used/pre-owned equipment

- FAST SHIPPING AND DELIVERY
- TENS OF THOUSANDS OF IN-STOCK ITEMS
- EQUIPMENT DEMOS
- HUNDREDS OF MANUFACTURERS SUPPORTED
- LEASING/MONTHLY RENTALS
- ITAR CERTIFIED SECURE ASSET SOLUTIONS

### SERVICE CENTER REPAIRS

Experienced engineers and technicians on staff at our full-service, in-house repair center

### *InstraView*<sup>SM</sup> REMOTE INSPECTION

Remotely inspect equipment before purchasing with our interactive website at [www.instraview.com](http://www.instraview.com) ↗

### WE BUY USED EQUIPMENT

Sell your excess, underutilized, and idle used equipment. We also offer credit for buy-backs and trade-ins. [www.artisanng.com/WeBuyEquipment](http://www.artisanng.com/WeBuyEquipment) ↗

### LOOKING FOR MORE INFORMATION?

Visit us on the web at [www.artisanng.com](http://www.artisanng.com) ↗ for more information on price quotations, drivers, technical specifications, manuals, and documentation

**Contact us:** (888) 88-SOURCE | [sales@artisanng.com](mailto:sales@artisanng.com) | [www.artisanng.com](http://www.artisanng.com)

# Thermocouple and RTD Modules for Compact FieldPoint

## NI cFP-TC-120, NI cFP-TC-125, NI cFP-RTD-122, NI cFP-RTD-124

- 8 temperature inputs
  - Thermocouple or millivolt
  - 2-, 3-, or 4-wire RTD
- Built-in signal conditioning between channels
  - 250 V common-mode isolation on cFP-TC-125
  - 50 and 60 Hz noise rejection
- 16-bit resolution
- Input ranges configurable in software for each channel
- 2,300 V<sub>rms</sub> bank isolation for transient overvoltage protection
- Hot-swappable with autoconfiguration
- -40 to 70 °C operating range



Module	Input Channels	Resolution (bits)	Input Type	Input Ranges Software-Configurable per Channel	50/60 Hz Noise Filter	All-Channel Update Period	Common-Mode Between Channels	Safety Isolation
cFP-TC-120	8	16	Thermocouple	J,K,R,S,T,N,E, and B ± 25 mV, ±50 mV	✓	1.13 s (0.88 Hz)	–	2,300 V <sub>rms</sub> bank isolation
			Millivolt	±100 mV, -20 to 80 mV				
cFP-TC-125	8	16	Thermocouple	J,K,R,S,T,N,E, and B	✓	0.22 s (Filter Off) 0.99 s (Filter On)	250 V <sub>rms</sub>	2,300 V <sub>rms</sub> bank isolation
			Millivolt	-20 to 80 mV				
cFP-RTD-122	8	16	2-, 3-wire RTD	Pt 100, Pt 1,000	✓	1.08 s (0.93 Hz)	–	2,300 V <sub>rms</sub> bank isolation
			Resistance	0 to 400, 0 to 4000 Ω				
cFP-RTD-124	8	16	2-, 4-wire RTD	Pt 100	✓	1.08 s (0.93 Hz)	–	2,300 V <sub>rms</sub> bank isolation
			Resistance	0 to 400 Ω				

## Overview

The NI cFP-TC-12x and cFP-RTD-12x are versatile temperature input modules for Compact FieldPoint used to measure thermocouples, millivolt-level voltages, thermistors, and 2-, 3-, and 4-wire RTDs. They are used in applications such as temperature chamber control, device testing, and process control. Thermocouples are low-cost, flexible temperature devices. RTD sensors are used in applications for acquiring temperatures with high accuracy. Two- and 3-wire RTDs work well for applications with short signal wires and low noise levels; 4-wire RTDs are well-suited for applications with long signal wires or high noise levels. All of these I/O modules include overranging and onboard diagnostics to ensure trouble-free installation and maintenance. The modules measure and linearize signals on board to return scaled values to your control or monitoring software. The cFP-TC-12x and cFP-RTD-12x modules have NIST-traceable calibration certificates (available upon request) to ensure accurate and reliable analog measurements.

## Compact FieldPoint

Compact FieldPoint is designed for industrial control applications that perform advanced embedded control, data logging, headless operation, and Ethernet connectivity. Compact FieldPoint, a rugged, reliable NI platform, is designed for industrial and mobile environments with high shock, vibration, and temperature extremes.

## Isolation

The cFP-TC-125 provides 250 V<sub>rms</sub> common-mode voltage protection between channels, and all cFP-TC-12x and cFP-RTD-12x modules feature optical bank isolation with 2,300 V<sub>rms</sub> of breakdown isolation. In addition, the cFP-TC-12x and cFP-RTD-12x offer double insulation for up to 250 V<sub>rms</sub> of operational isolation. You can safely use Compact FieldPoint with the cFP-CB-1 or cFP-CB-3 connector block in applications where hazardous voltages are present.

## Thermocouple and RTD Modules for Compact FieldPoint

### Smart I/O Modules

The cFP-TC-12x and cFP-RTD-12x modules offer 16-bit resolution for high-accuracy measurements, and you can connect directly to industrial sensors or units under test with the safety isolation available. The modules filter, calibrate, and scale raw sensor signals to engineering units, as well as perform self-diagnostics to look for problems such as open thermocouples. With cFP-TC-12x and cFP-RTD-12x modules, your software application reads a linearized, calibrated, scaled value from the I/O module, eliminating the error-prone step of converting binary values to temperature. For increased accuracy and noise rejection, the modules use a 16-bit delta-sigma analog-to-digital converter (ADC) with an integrated notch filter on each channel, which is configured for 50 and 60 Hz rejection. With high-accuracy 16-bit delta-sigma ADCs on the I/O modules, you also get instrument-quality measurements on an industrially rugged, distributed, embedded system. The cFP-TC-12x and cFP-RTD-12x modules offer a variety of update rates to fit your application, ranging from 0.22 s with filters off and 1.08 to 1.13 s with filters enabled. Overall data throughput depends on filter settings across all channels, software loop speeds, and network speeds.

#### cFP-TC-120

The cFP-TC-120 includes eight differential inputs for thermocouples. It also provides cold-junction compensation using a thermistor embedded in the connector block. An onboard microcontroller compensates and linearizes the thermocouple reading to the NIST ITS-90 standard, using an advanced linearization routine for maximum accuracy.

#### cFP-TC-125

In addition to the thermistor and linearization features of the cFP-TC-120, the cFP-TC-125 provides 250 V<sub>rms</sub> of common-mode rejection, ideal for applications where differences in voltages might exist between connected thermocouples. The cFP-TC-125 also offers 0.22 s update rates when the 50/60 Hz filter is not enabled.

#### cFP-RTD-122

The cFP-RTD-122 includes eight inputs for 2- and 3-wire RTDs. The module uses a stable current source for sensor excitation and an onboard microcontroller that linearizes and scales the measurements to temperature units. You can configure each channel of the module to return data scaled to temperature (°C, °F, or °K) or resistance. The 3-wire configuration used with the cFP-RTD-122 eliminates errors caused by lead wire resistance but does not reduce errors caused by noise. If your application involves high noise or long wires, you should use 4-wire RTDs with the cFP-RTD-124.

#### cFP-RTD-124

The cFP-RTD-124 includes eight inputs for 2- and 4-wire RTDs. The module uses a stable current source for sensor excitation and an onboard microcontroller that linearizes and scales the measurements to temperature units. You can configure each channel of the modules to return data scaled to temperature (°C, °F, or °K) or resistance. Four-wire RTDs used with the cFP-RTD-124 are ideal for applications involving long signal wires or high signal noise. The 4-wire configuration eliminates the voltage drop caused by lead wire resistance and reduces errors caused by noise.

#### Isothermal Connectivity for cFP-TC-12x Modules

For maximum accuracy, NI recommends using an isothermal connector block with a cFP-TC-12x. The cFP-CB-3 isothermal connector block minimizes the temperature gradient across wiring connections, improving the accuracy of the cold-junction measurement, and, therefore, of thermocouple measurements.

### Compact FieldPoint I/O Connections

Compact FieldPoint modules include a built-in power distribution bus that provides multiple power connections on the module. A field-wired power supply connected to the voltage (V) and common (C) terminals is internally connected to a power distribution bus that features additional breakout terminals for voltage supply (VSUP) and common (COM). These terminals offer a convenient way to distribute power to field devices that require external power.

Each cFP-TC-12x input channel has two terminals for differential input:

1. Thermocouple positive input (IN+)
2. Thermocouple negative input (IN-)

Each cFP-RTD-122 input channel has three terminals:

1. Excitation output (EXCITE)
2. Sensing input (SENSE)
3. Common input (COM)

Each cFP-RTD-124 input channel has four terminals:

1. Excitation output (EXCITE)
2. Positive sensing input (SENSE+)
3. Negative sensing input (SENSE-)
4. Common input (COM)

# Thermocouple and RTD Modules for Compact FieldPoint

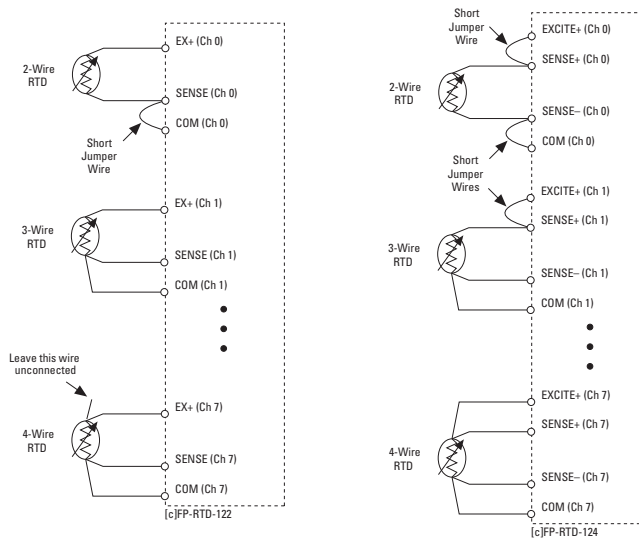


Figure 1. Wiring Diagram for cFP-RTD-12x

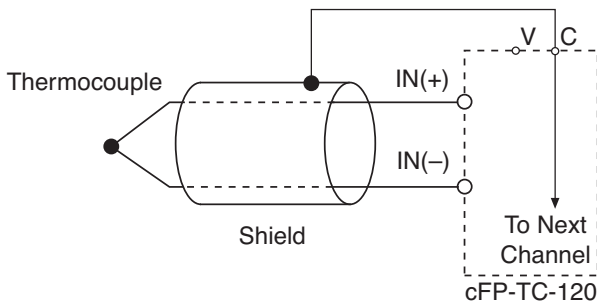


Figure 2. Wiring Diagram for cFP-TC-120

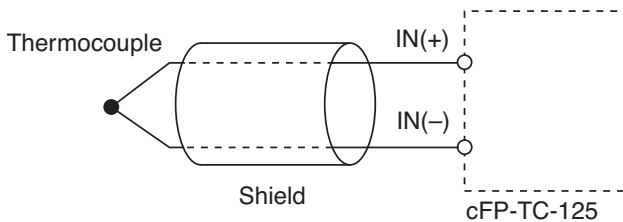


Figure 3. Wiring Diagram for cFP-TC-125  
Note: Connections depend on the application.

## Ordering Information

NI cFP-TC-120 .....	777318-120
NI cFP-TC-125 .....	777318-125
NI cFP-RTD-122 .....	777318-122
NI cFP-RTD-124 .....	777318-124

## Recommended System Products

NI cFP-2120 .....	777317-2120
NI cFP-1804 .....	779490-01
NI cFP-BP-4 .....	778617-04
NI cFP-CB-1 .....	778618-01
NI cFP-CB-3 .....	778618-03
NI PS-5 Power Supply .....	778805-90

## BUY NOW!

For complete product specifications, pricing, and accessory information, call 800 813 3693 (U.S.) or go to [ni.com/advisors](http://ni.com/advisors).

# Thermocouple and RTD Modules for Compact FieldPoint

## Specifications

Typical for -40 to 70 °C unless otherwise noted.

### Input Characteristics

Number of inputs .....	8
ADC resolution .....	16 bits, 1 in 65,536
Type of ADC .....	Delta-sigma
Filters .....	50/60 Hz rejection
Excitation current	
cFP-RTD-122 .....	0.25 mA
cFP-RTD-124 .....	2 mA
Data scaling options	
cFP-TC-120 .....	Temperature (°C, °F, °K) or mV
cFP-RTD-12x .....	Temperature (°C, °F, °K) or resistance (Ω)
Update period, all channels	
cFP-TC-125	
Filter off .....	0.22 s
Filter on .....	0.99 s
cFP-TC-120 .....	1.13 s
cFP-RTD-12x .....	1.08 s
Signal input bandwidth	
cFP-TC-120 .....	3 Hz
cFP-TC-125 .....	12 Hz
Cold-junction accuracy cFP-TC-12x	
With cFP-CB-3 connector block .....	0.25 °C typ, 0.5 °C max
Input impedance (cFP-TC-12x) .....	20 MΩ
Input current (cFP-TC-12x) .....	35 nA typ, 140 nA max
Input noise .....	±1 LSB <sub>pp</sub>
Overvoltage protection	
cFP-TC-120 .....	±40 V
cFP-TC-125 .....	±250 V
Common-mode voltage between channels referenced to isolated ground	
cFP-TC-125 .....	250 V
cFP-TC-120 .....	1 V
cFP-RTD-12x .....	2 V

### Safety Isolation Voltage

Maximum safety isolation voltage .....	250 V <sub>rms</sub> , Installation Category II (cFP-TC-12x only)
Channel-to-channel safety isolation...	No isolation between channels
Transient overvoltage .....	2,300 V <sub>rms</sub>

### Physical Characteristics

LED indicators	
POWER (green) .....	Power on and self-test passed
READY (green) .....	Module configured and ready
OPEN TC <0..7> (red) (cFP-TC-12x) .....	Open or broken thermocouple on channel
Dimensions .....	128 by 88 by 25 mm (5.0 by 3.5 by 1.0 in.)

### Weight

cFP-TC-120 .....	130 g (4.6 oz)
cFP-TC-125 .....	125 g (4.4 oz)
cFP-RTD-12x .....	110 g (3.7 oz)

### Power Requirement

Power from network module	
cFP-TC-120 .....	350 mW
cFP-TC-125 .....	650 mW

### Environmental

Operating temperature .....	-40 to 70 °C
Storage temperature .....	-55 to 85 °C (cFP-TC-125 -40 to 80 °C)
Relative humidity .....	10 to 90%, noncondensing
Maximum altitude .....	2,000 m; at higher altitudes the isolation voltage ratings must be lowered
Pollution degree .....	2

### Shock and Vibration

Operating vibration, random (IEC 60068-2-64) .....	10 to 500 Hz, 5 g <sub>rms</sub>
Operating vibration, sinusoidal (IEC 60068-2-6) .....	10 to 500 Hz, 5 g
Operating shock (IEC 60068-2-27) .....	50 g, 3 ms half sine, 18 shocks at 6 orientations; 30 g, 11 ms half sine, 18 shocks at 6 orientations

### Safety and Compliance

#### Safety

This product is designed to meet the requirements of the following standards of safety for electrical equipment for measurement, control, and laboratory use:

- IEC 61010-1, EN 61010-1
- UL 61010-1, CSA 61010-1

**Note:** For UL and other safety certifications, refer to the product label or visit [ni.com/certification](http://ni.com/certification), search by model number or product line, and click the appropriate link in the Certification column.

#### Electromagnetic Compatibility

This product meets the requirements of the following EMC standards for electrical equipment for measurement, control, and laboratory use:

- EN 61326 (IEC 61326): Class A emissions; Industrial immunity
- EN 55011 (CISPR 11): Group 1, Class A emissions
- AS/NZS CISPR 11: Group 1, Class A emissions
- FCC 47 CFR Part 15B: Class A emissions
- ICES-001: Class A emissions

BUY ONLINE at [ni.com](http://ni.com) or CALL (800) 813 3693 (U.S.)

## Thermocouple and RTD Modules for Compact FieldPoint

---

### CE Compliance

This product meets the essential requirements of applicable European Directives, as amended for CE marking, as follows:

- 2006/95/EC; Low-Voltage Directive (safety)
- 2004/108/EC; Electromagnetic Compatibility Directive (EMC)

**Note:** Refer to the Declaration of Conformity (DoC) for this product for any additional regulatory compliance information. To obtain the DoC for this product, visit [ni.com/certification](https://ni.com/certification), search by model number or product line, and click the appropriate link in the Certification column.

### Waste Electrical and Electronic Equipment (WEEE)

**EU Customers:** At the end of their life cycle, all products must be sent to a WEEE recycling center. For more information about WEEE recycling centers and National Instruments WEEE initiatives, visit [ni.com/environment/weee.htm](https://ni.com/environment/weee.htm).

# NI Services and Support



NI has the services and support to meet your needs around the globe and through the application life cycle – from planning and development through deployment and ongoing maintenance. We offer services and service levels to meet customer requirements in research, design, validation, and manufacturing. Visit [ni.com/services](http://ni.com/services).

## Training and Certification

NI training is the fastest, most certain route to productivity with our products. NI training can shorten your learning curve, save development time, and reduce maintenance costs over the application life cycle. We schedule instructor-led courses in cities worldwide, or we can hold a course at your facility. We also offer a professional certification program that identifies individuals who have high levels of skill and knowledge on using NI products. Visit [ni.com/training](http://ni.com/training).

## Professional Services

Our NI Professional Services team is composed of NI applications and systems engineers and a worldwide National Instruments Alliance Partner program of more than 600 independent consultants and integrators. Services



range from start-up assistance to turnkey system integration. Visit [ni.com/alliance](http://ni.com/alliance).

## OEM Support

We offer design-in consulting and product integration assistance if you want to use our products for OEM applications. For information about special pricing and services for OEM customers, visit [ni.com/oem](http://ni.com/oem).



[ni.com](http://ni.com) • 800 813 3693

National Instruments • [info@ni.com](mailto:info@ni.com)

## Local Sales and Technical Support

In offices worldwide, our staff is local to the country, giving you access to engineers who speak your language. NI delivers industry-leading technical support through online knowledge bases, our applications engineers, and access to 14,000 measurement and automation professionals within NI Developer Exchange forums. Find immediate answers to your questions at [ni.com/support](http://ni.com/support).

We also offer service programs that provide automatic upgrades to your application development environment and higher levels of technical support. Visit [ni.com/ssp](http://ni.com/ssp).

## Hardware Services

### System Assurance Programs

NI system assurance programs are designed to make it even easier for you to own an NI system. These programs include configuration and deployment services for your NI PXI, CompactRIO, or Compact FieldPoint system. The NI Basic System Assurance Program provides a simple integration test and ensures that your system is delivered completely assembled in one box. When you configure your system with the NI Standard System Assurance Program, you can select from available NI system driver sets and application development environments to create customized, reorderable software configurations. Your system arrives fully assembled and tested in one box with your software preinstalled. When you order your system with the standard program, you also receive system-specific documentation including a bill of materials, an integration test report, a recommended maintenance plan, and frequently asked question documents. Finally, the standard program reduces the total cost of owning an NI system by providing three years of warranty coverage and calibration service. Use the online product advisors at [ni.com/advisor](http://ni.com/advisor) to find a system assurance program to meet your needs.

### Calibration Services

NI recognizes the need to maintain properly calibrated devices for high-accuracy measurements. We provide manual calibration procedures, services to recalibrate your products, and automated calibration software specifically designed for use by metrology laboratories. Visit [ni.com/calibration](http://ni.com/calibration).

### Repair and Extended Warranty

NI provides complete repair services for our products. Express repair and advance replacement services are also available. We offer extended warranties to help you meet project life-cycle requirements. Visit [ni.com/services](http://ni.com/services).



## Artisan Technology Group is your source for quality new and certified-used/pre-owned equipment

- FAST SHIPPING AND DELIVERY
- TENS OF THOUSANDS OF IN-STOCK ITEMS
- EQUIPMENT DEMOS
- HUNDREDS OF MANUFACTURERS SUPPORTED
- LEASING/MONTHLY RENTALS
- ITAR CERTIFIED SECURE ASSET SOLUTIONS

### SERVICE CENTER REPAIRS

Experienced engineers and technicians on staff at our full-service, in-house repair center

### *InstraView*<sup>SM</sup> REMOTE INSPECTION

Remotely inspect equipment before purchasing with our interactive website at [www.instraview.com](http://www.instraview.com) ↗

### WE BUY USED EQUIPMENT

Sell your excess, underutilized, and idle used equipment. We also offer credit for buy-backs and trade-ins. [www.artisanng.com/WeBuyEquipment](http://www.artisanng.com/WeBuyEquipment) ↗

### LOOKING FOR MORE INFORMATION?

Visit us on the web at [www.artisanng.com](http://www.artisanng.com) ↗ for more information on price quotations, drivers, technical specifications, manuals, and documentation

**Contact us:** (888) 88-SOURCE | [sales@artisanng.com](mailto:sales@artisanng.com) | [www.artisanng.com](http://www.artisanng.com)