



Artisan Technology Group is your source for quality new and certified-used/pre-owned equipment

- FAST SHIPPING AND DELIVERY
- TENS OF THOUSANDS OF IN-STOCK ITEMS
- EQUIPMENT DEMOS
- HUNDREDS OF MANUFACTURERS SUPPORTED
- LEASING/MONTHLY RENTALS
- ITAR CERTIFIED SECURE ASSET SOLUTIONS

SERVICE CENTER REPAIRS

Experienced engineers and technicians on staff at our full-service, in-house repair center

*InstraView*SM REMOTE INSPECTION

Remotely inspect equipment before purchasing with our interactive website at www.instraview.com ↗

WE BUY USED EQUIPMENT

Sell your excess, underutilized, and idle used equipment. We also offer credit for buy-backs and trade-ins. www.artisanng.com/WeBuyEquipment ↗

LOOKING FOR MORE INFORMATION?

Visit us on the web at www.artisanng.com ↗ for more information on price quotations, drivers, technical specifications, manuals, and documentation

Contact us: (888) 88-SOURCE | sales@artisanng.com | www.artisanng.com

Oriel Photomultiplier Tube Power Supply



70705 PMT Power Supply.

The 70705 Photomultiplier Power Supply provides the highly regulated voltage needed for precision measurements with photomultiplier tubes (PMTs). Since the signal current varies as the 5th to 10th power of the supply voltage (depending on the PMT), stability of the voltage supply is vital. It is used to supply negative voltages to -2000 V, and has a positive ground. This facilitates connection of the output (anode) to our current measuring equipment.

Dual Outputs for Ratio Measurements

The 70705 Power Supply has an LED digital display and two high voltage BNC outputs for photomultiplier tubes. Since both outputs are on the same power supply, this ensures that two similar PMTs can be operated with a minimum of independent drift. This can be critical when one PMT is monitoring a reference light beam, for instance, while the other is measuring the sample signal.

Complete PMT Systems

We offer complete PMT systems using the Oriel Merlin™ Digital Lock-in (page 1224) and select Power Meter models. Or, you can assemble your own system. PMTs function as current sources. Therefore, you need either a transimpedance amplifier or a resistor to convert the output current to voltage for the reading electronics to measure signal strength.

Remote Controls

The 70705 provides the ability to control output voltages, both the value (0 to 9 V analog input) and ON/OFF. The ON/OFF feature can be used for an interlock function, for operator safety, and/or to protect the PMT from excess light such as may occur when changing samples.

- High stability
- 2000 VDC, 2 mA output
- Outputs for two photomultiplier tubes
- Remote control

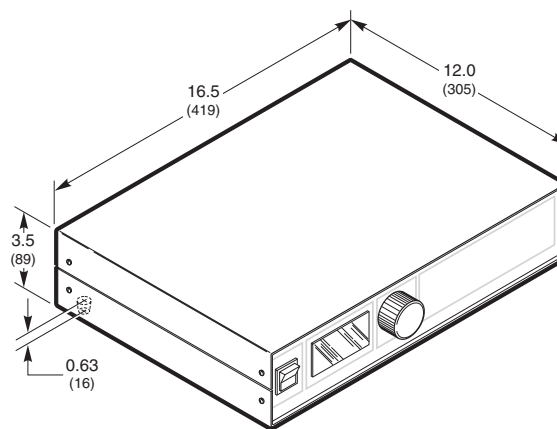


Fig. 1 Dimensional diagram of 70705 PMT Power Supply

Specifications

Display	4 digit LED
Output Voltage Range	-200 to -2000 Vdc
Output Connectors	2x MHV BNC in parallel
Output Current	2 mA max
Line Regulation	0.001 %
Load Regulation	0.001%
Drift Stability	0.1%/8 hours
Temperature Stability	50 ppm/°C
Accuracy	0.1% of reading ± 1 count
Remote Enable	contact closure or 5 V (TTL)
Remote Control	0 to 9 VDC for -200 to -2000 V output
Power Requirements	95 to 132 Vac, 50/60 Hz, 0.5 A 190 to 264 Vac, 50/60 Hz, 0.25 A
Size	16.5" W x 3.5" H x 12" D (419 x 89 x 305 mm)
Weight	11 lb (5 kg)

Ordering Information

Model	Description
70705	PMT Power Supply

Related Products

Model	Description
70710	Current Preamplifier
70721	100 MHz Voltage Amplifier
70723	350 MHz Voltage Amplifier

WEB See our website
for more info



Artisan Technology Group is your source for quality new and certified-used/pre-owned equipment

- FAST SHIPPING AND DELIVERY
- TENS OF THOUSANDS OF IN-STOCK ITEMS
- EQUIPMENT DEMOS
- HUNDREDS OF MANUFACTURERS SUPPORTED
- LEASING/MONTHLY RENTALS
- ITAR CERTIFIED SECURE ASSET SOLUTIONS

SERVICE CENTER REPAIRS

Experienced engineers and technicians on staff at our full-service, in-house repair center

*InstraView*SM REMOTE INSPECTION

Remotely inspect equipment before purchasing with our interactive website at www.instraview.com ↗

WE BUY USED EQUIPMENT

Sell your excess, underutilized, and idle used equipment. We also offer credit for buy-backs and trade-ins. www.artisanng.com/WeBuyEquipment ↗

LOOKING FOR MORE INFORMATION?

Visit us on the web at www.artisanng.com ↗ for more information on price quotations, drivers, technical specifications, manuals, and documentation

Contact us: (888) 88-SOURCE | sales@artisanng.com | www.artisanng.com